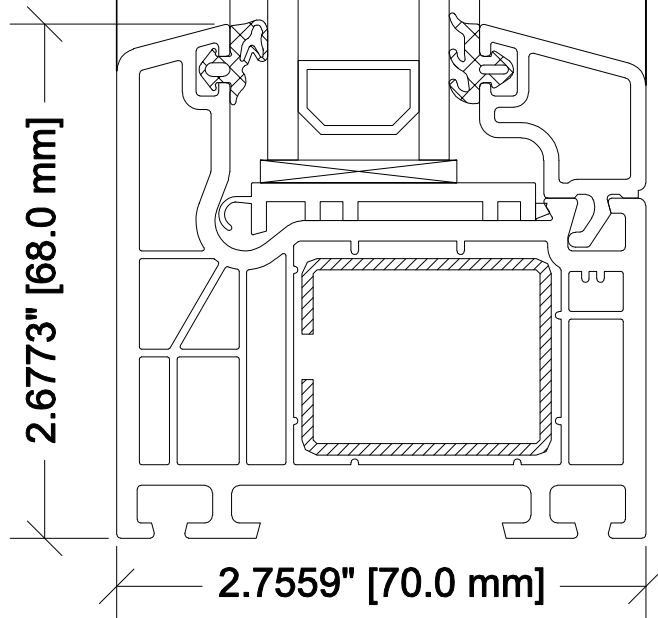


EXTERIOR



INTERIOR

TradeWind DISTRIBUTION



TW15-V WINDOWS AND DOORS
FRAME 68

JOB: TW15V

PLAN SECTION @ FRAME

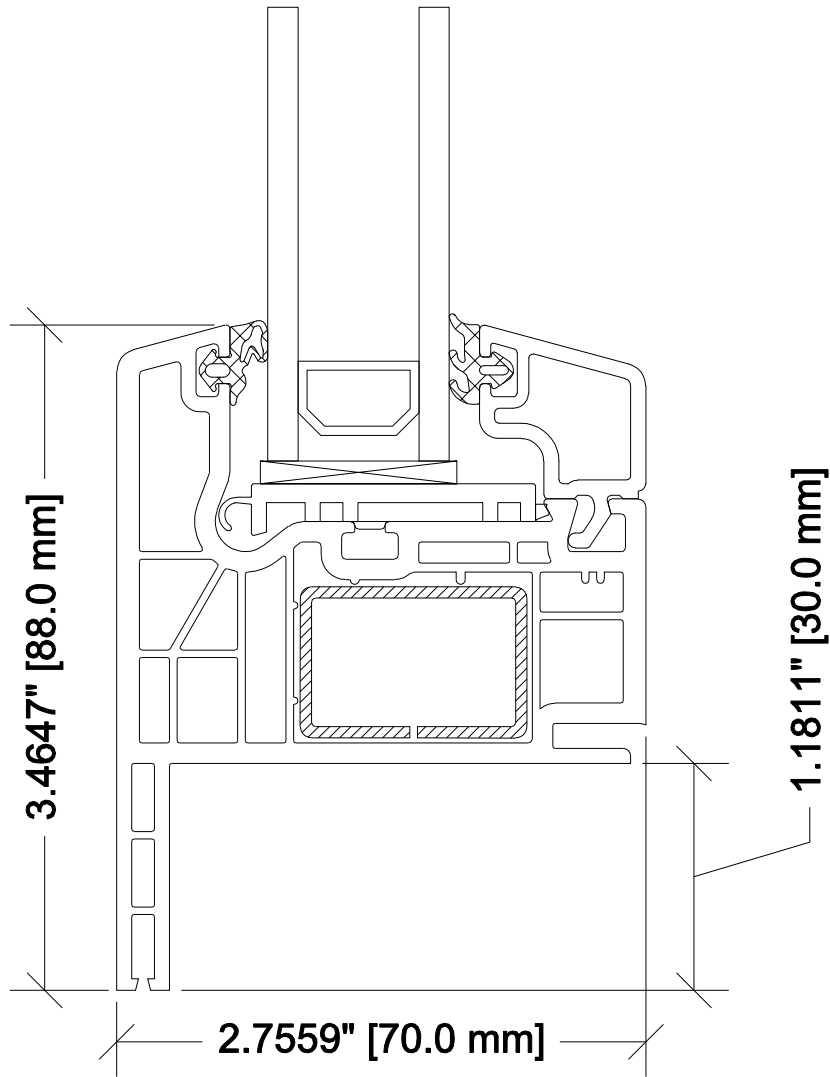
DWG: 1

SCALE: FULL

DATE: 11/15/2010

DWG BY: PS

EXTERIOR



INTERIOR

TradeWind DISTRIBUTION



TW15-V WINDOWS AND DOORS
FRAME 88R

JOB: TW15V

PLAN SECTION @ FRAME

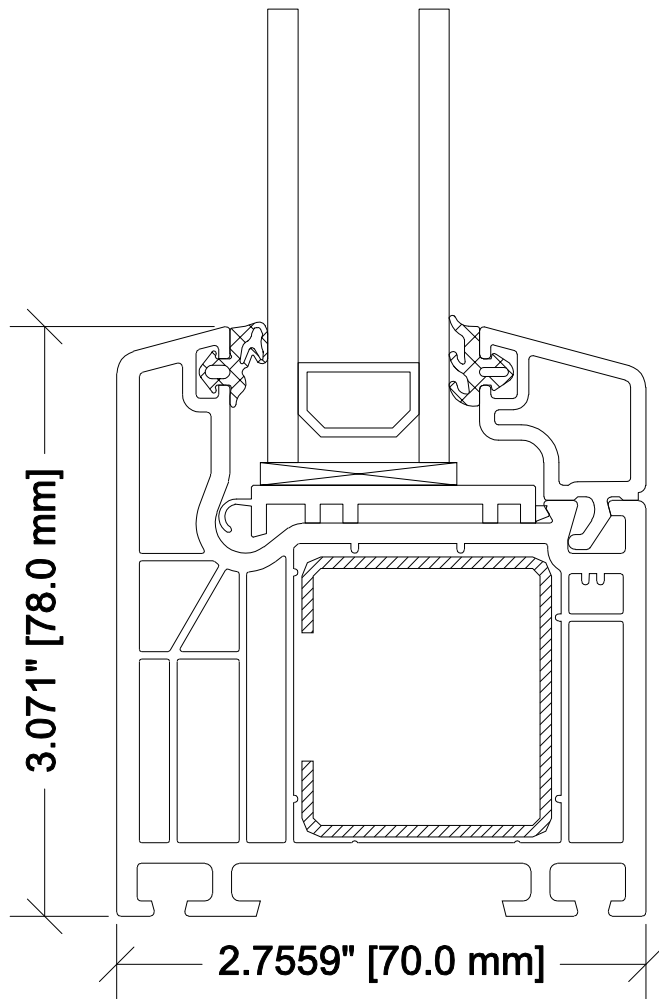
DWG: 2

SCALE: FULL

DATE: 11/15/2010

DWG BY: PS

EXTERIOR



INTERIOR

TradeWind DISTRIBUTION



TW15-V WINDOWS AND DOORS
FRAME 78

JOB: TW15V

PLAN SECTION @ FRAME

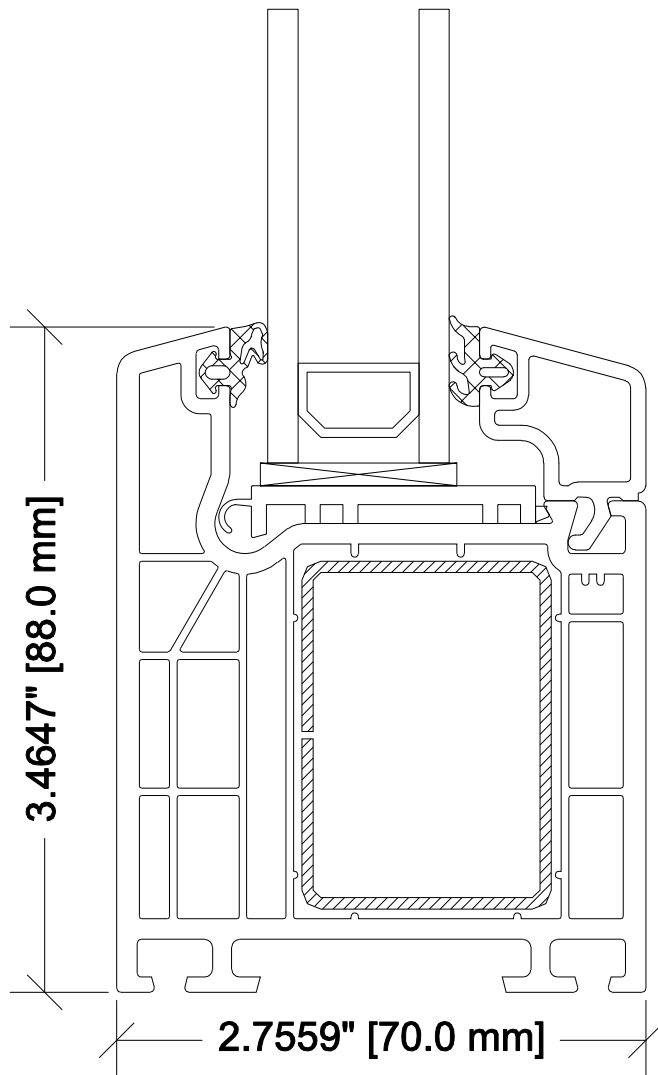
DWG: 3

SCALE: FULL

DATE: 11/15/2010

DWG BY: PS

EXTERIOR



INTERIOR

TradeWind DISTRIBUTION



TW15-V WINDOWS AND DOORS
FRAME 88

JOB: TW15V

PLAN SECTION @ FRAME

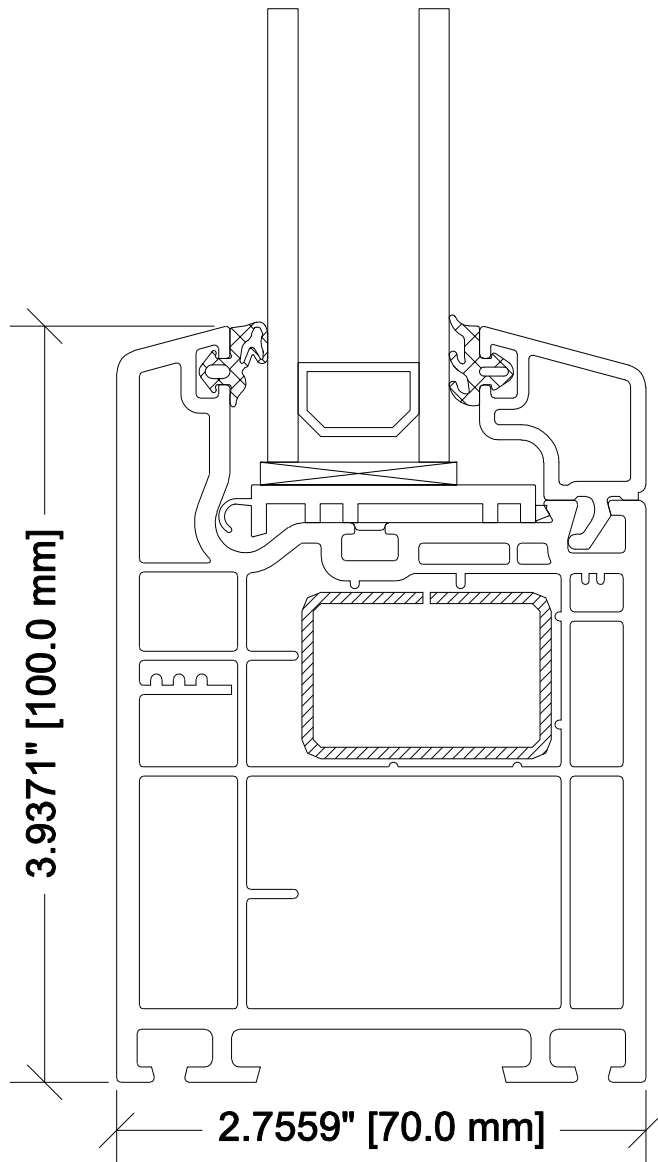
DWG: 4

SCALE: FULL

DATE: 11/15/2010

DWG BY: PS

EXTERIOR



INTERIOR

TradeWind DISTRIBUTION



TW15-V WINDOWS AND DOORS
FRAME 100

JOB: TW15V

PLAN SECTION @ FRAME

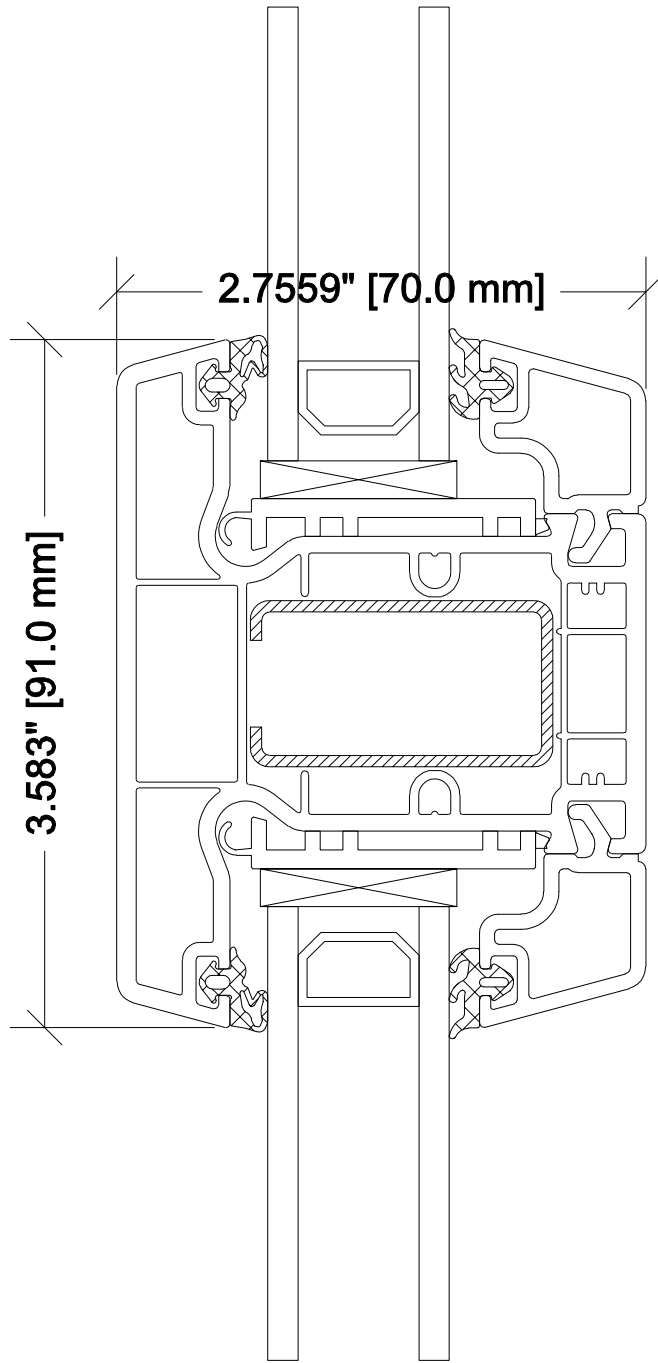
DWG: 5

SCALE: FULL

DATE: 11/15/2010

DWG BY: PS

EXTERIOR



INTERIOR

TradeWind DISTRIBUTION



FINESTRA

TW15-V WINDOWS AND DOORS
GLASS MULLION 91

PLAN SECTION @ MULLION POST

SCALE: FULL

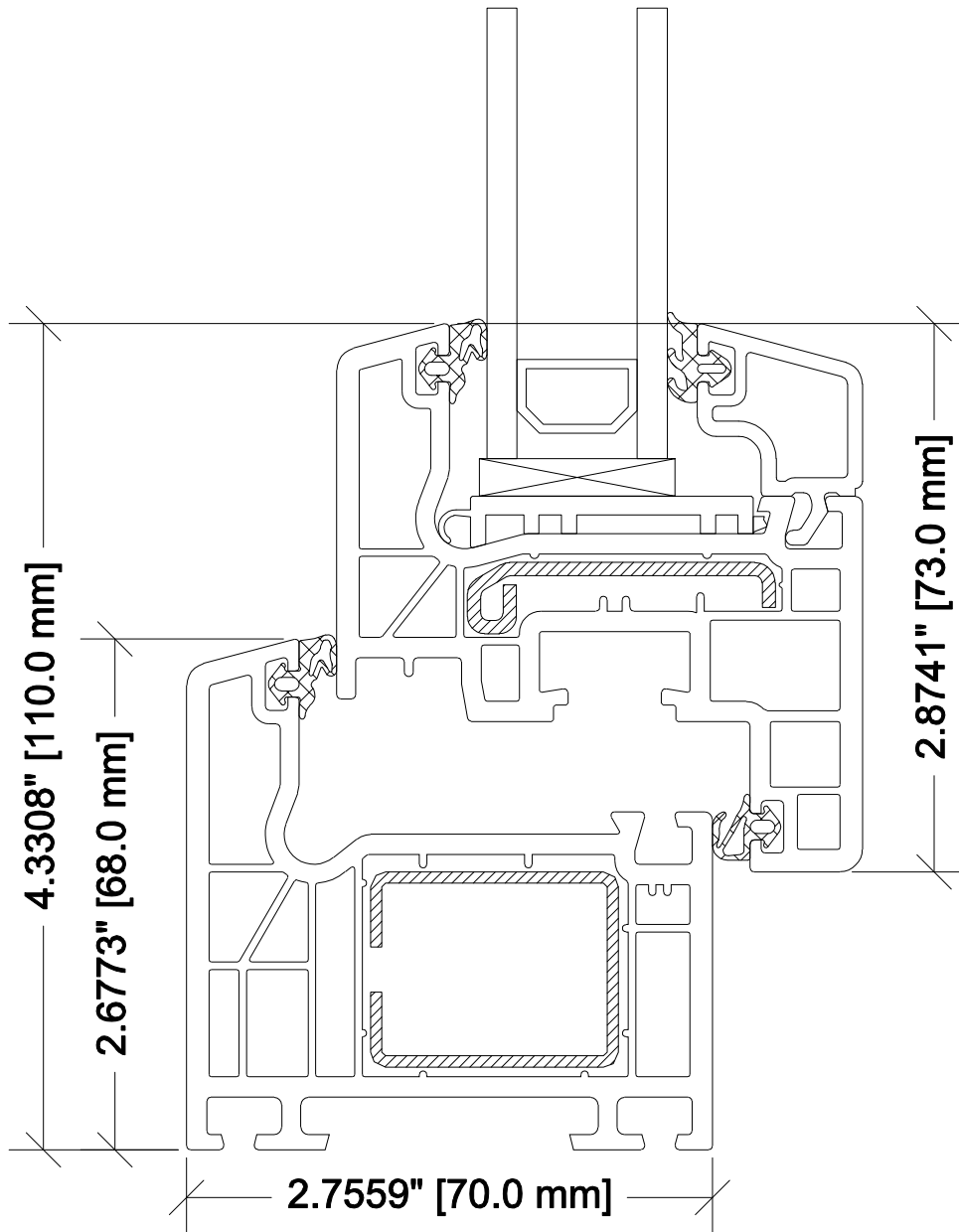
DATE: 11/15/2010

DWG BY: PS

JOB: TW15V

DWG: 6

EXTERIOR



INTERIOR

TradeWind DISTRIBUTION



TW15-V WINDOWS AND DOORS
FRAME 68 / SASH 73

JOB: TW15V

PLAN SECTION @ FRAME

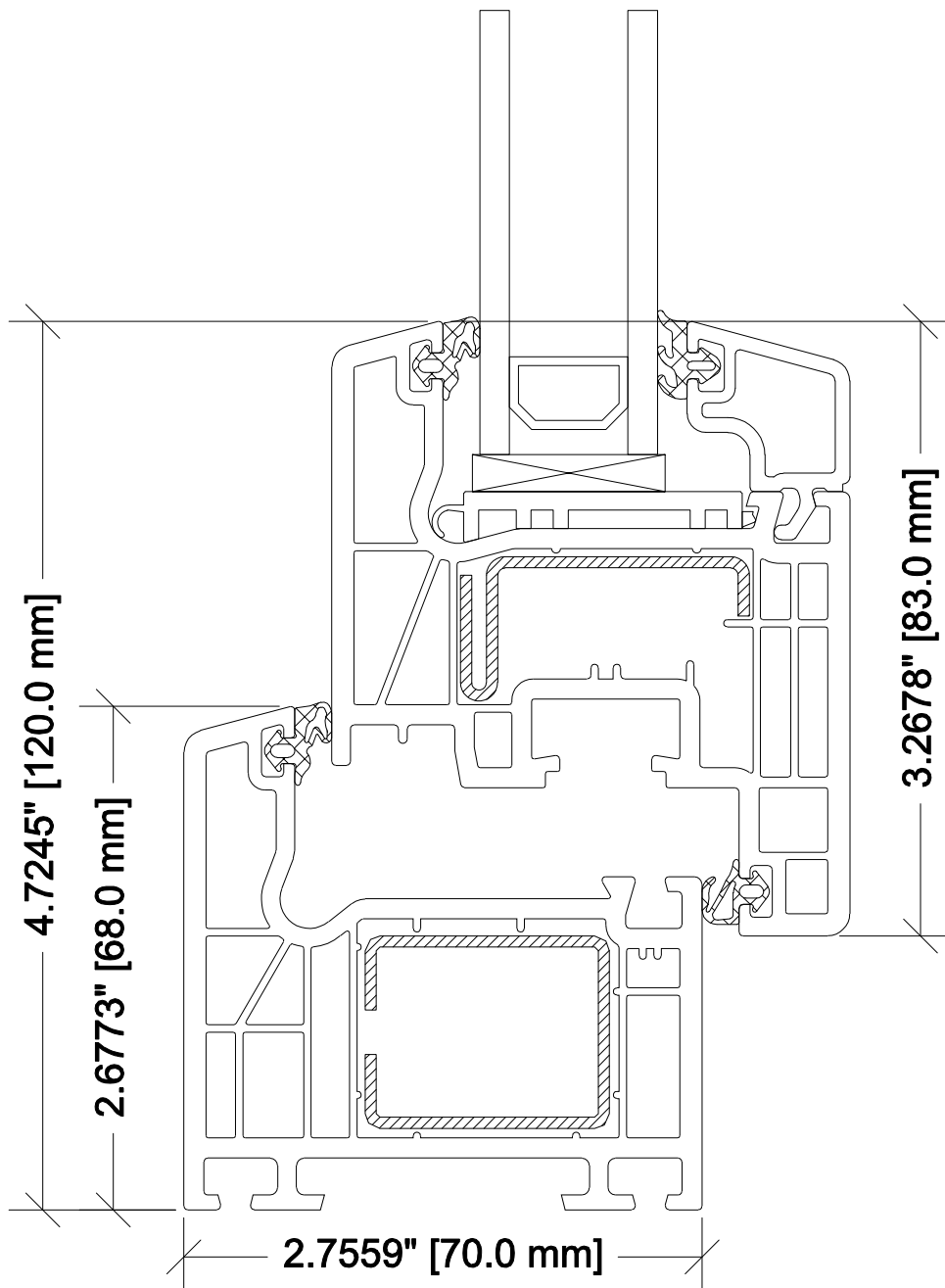
DWG: 7

SCALE: FULL

DATE: 11/15/2010

DWG BY: PS

EXTERIOR



INTERIOR

TradeWind DISTRIBUTION



TW15-V WINDOWS AND DOORS
FRAME 68 / SASH 83

JOB: TW15V

PLAN SECTION @ FRAME

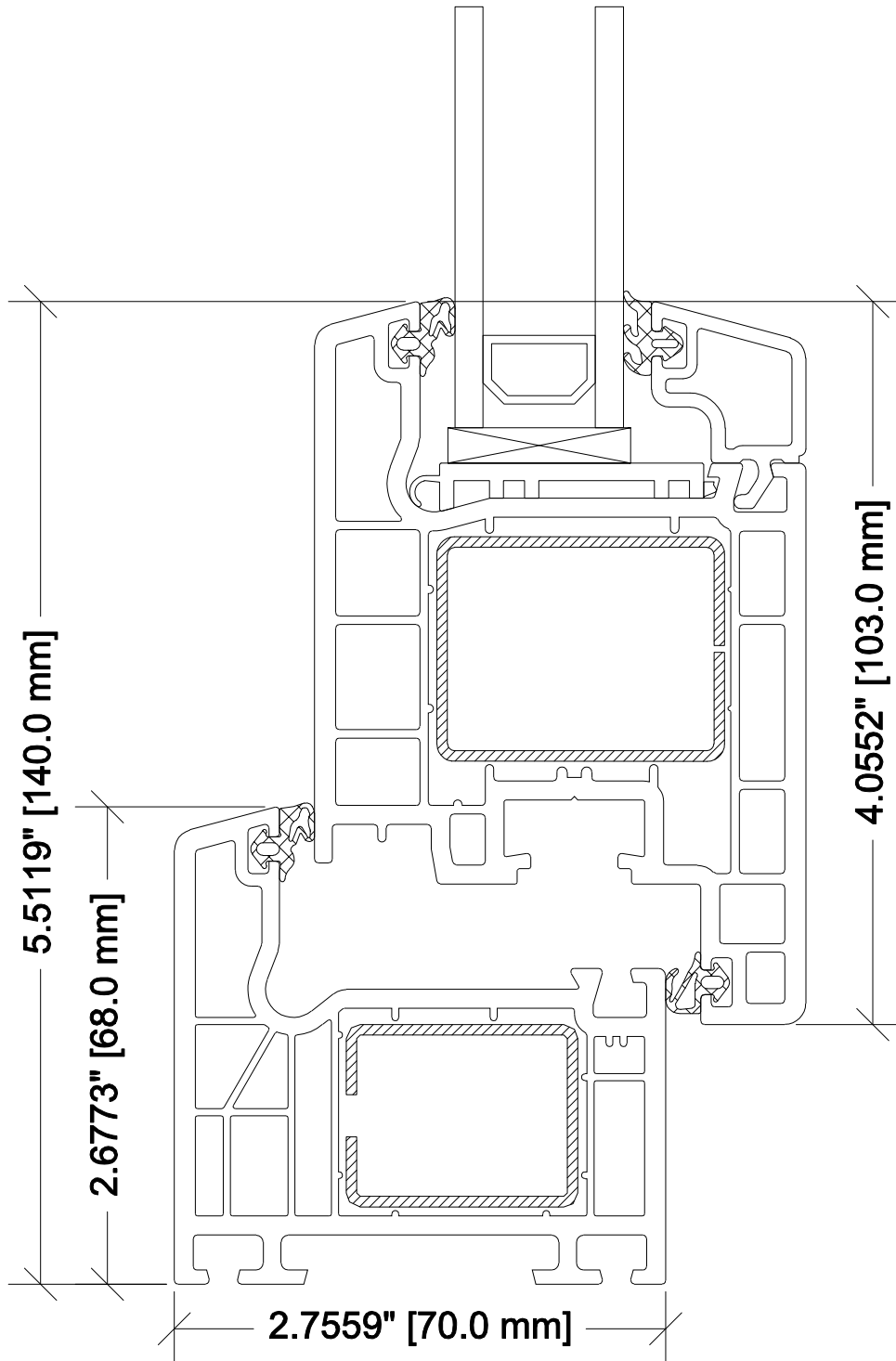
DWG: 8

SCALE: FULL

DATE: 11/15/2010

DWG BY: PS

EXTERIOR



INTERIOR

TradeWind DISTRIBUTION



TW15-V WINDOWS AND DOORS
FRAME 68 / SASH 103

JOB: TW15V

PLAN SECTION @ FRAME

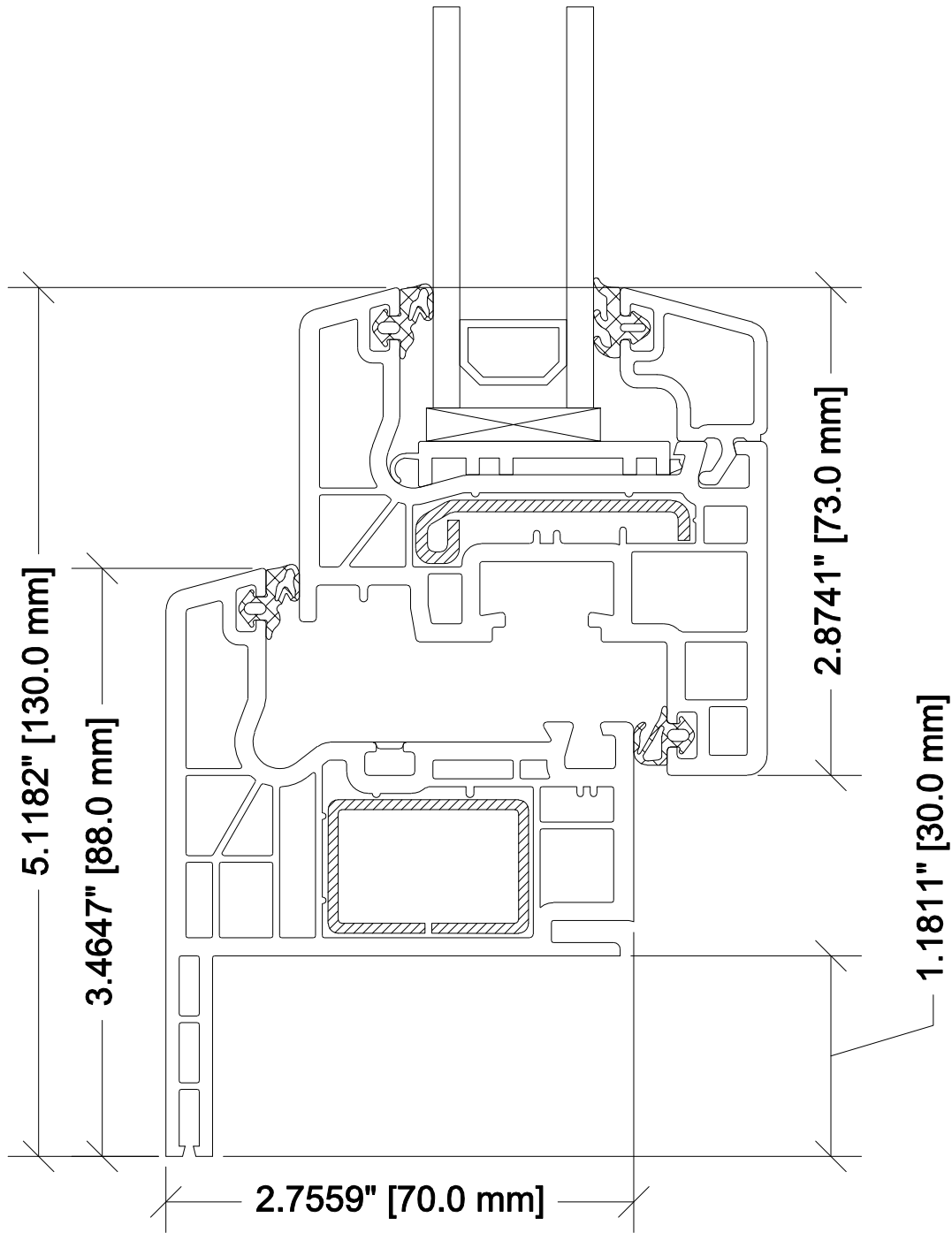
DWG: 9

SCALE: FULL

DATE: 11/15/2010

DWG BY: PS

EXTERIOR



INTERIOR

TradeWind DISTRIBUTION



TW15-V WINDOWS AND DOORS
FRAME 88R / SASH 73

JOB: TW15V

PLAN SECTION @ FRAME

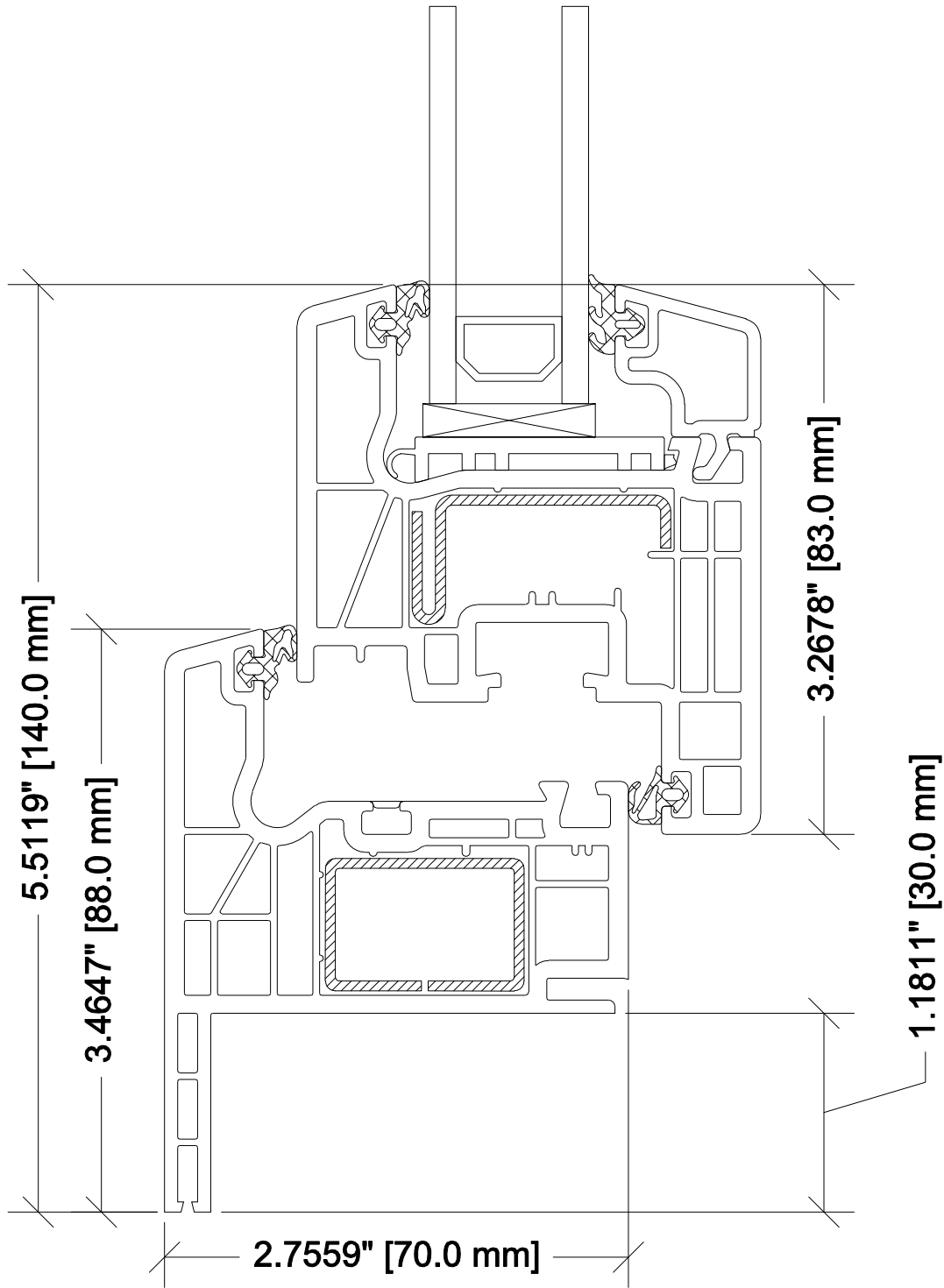
DWG: 10

SCALE: FULL

DATE: 11/15/2010

DWG BY: PS

EXTERIOR



INTERIOR

TradeWind DISTRIBUTION



TW15-V WINDOWS AND DOORS
FRAME 88R / SASH 83

JOB: TW15V

PLAN SECTION @ FRAME

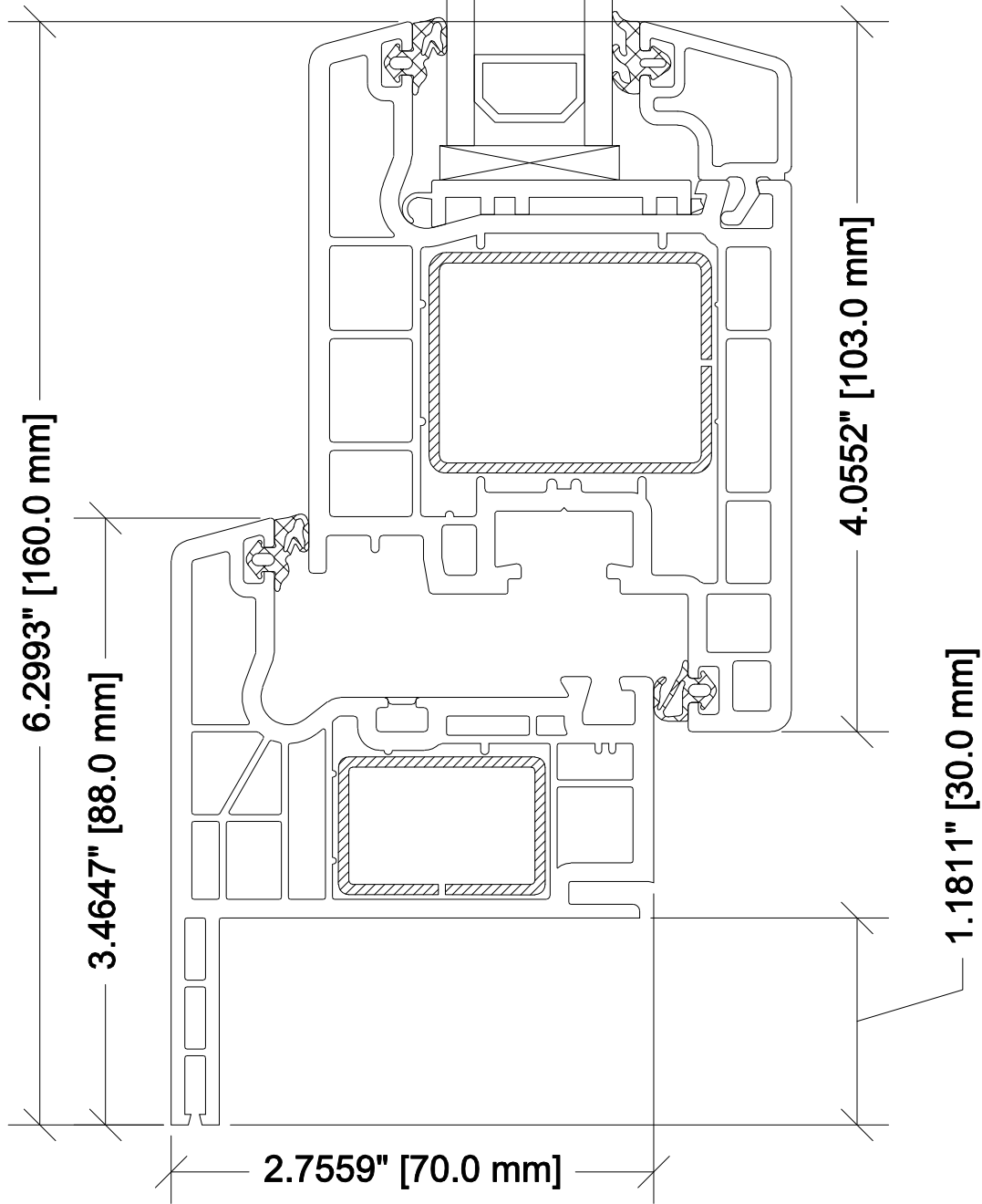
DWG: 11

SCALE: FULL

DATE: 11/15/2010

DWG BY: PS

EXTERIOR



INTERIOR

TradeWind DISTRIBUTION



TW15-V WINDOWS AND DOORS
FRAME 88R / SASH 103

PLAN SECTION @ FRAME

SCALE: FULL

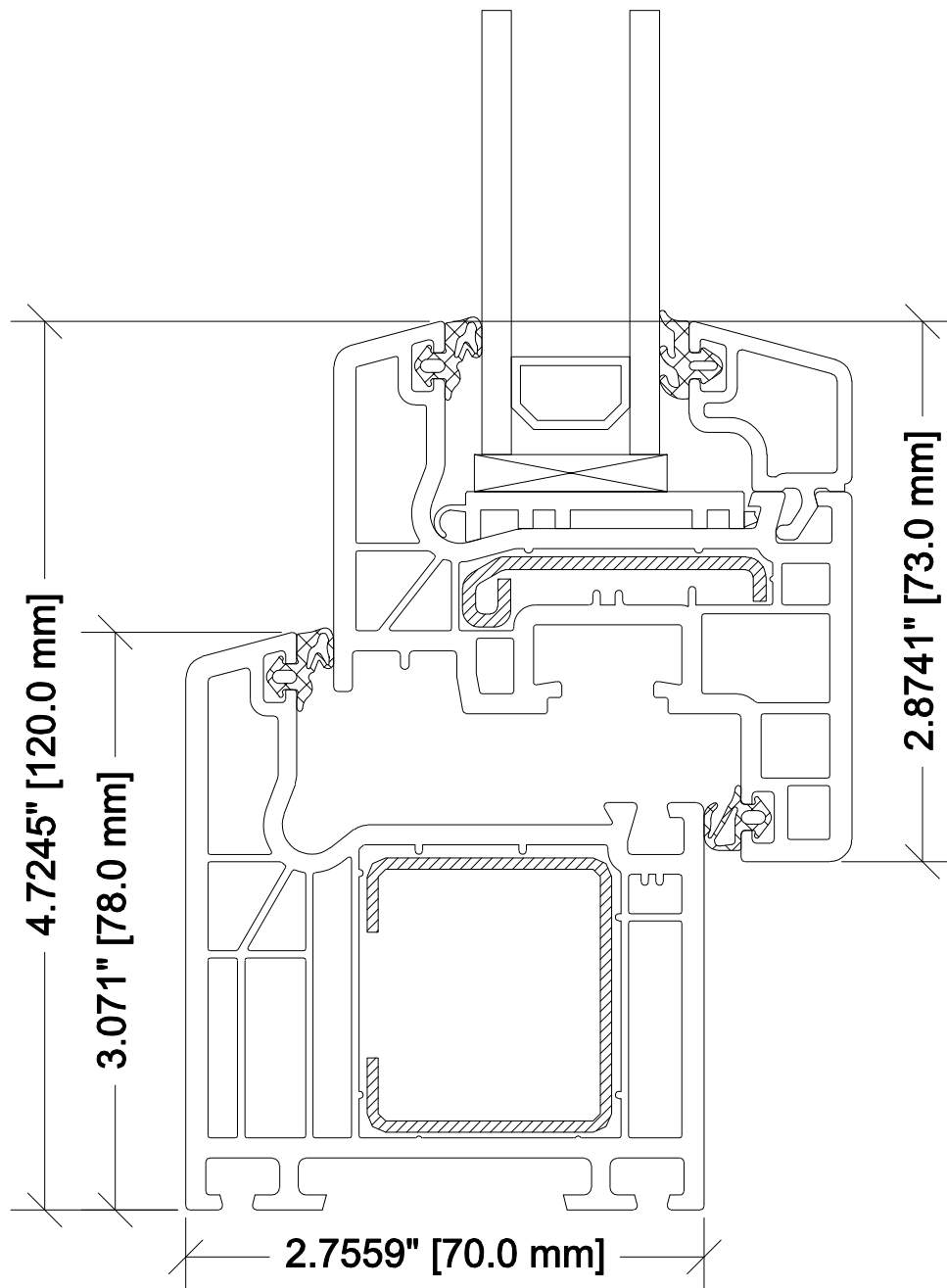
DATE: 11/15/2010

DWG BY: PS

JOB: TW15V

DWG: 12

EXTERIOR



INTERIOR

TradeWind DISTRIBUTION



TW15-V WINDOWS AND DOORS
FRAME 78 / SASH 73

JOB: TW15V

PLAN SECTION @ FRAME

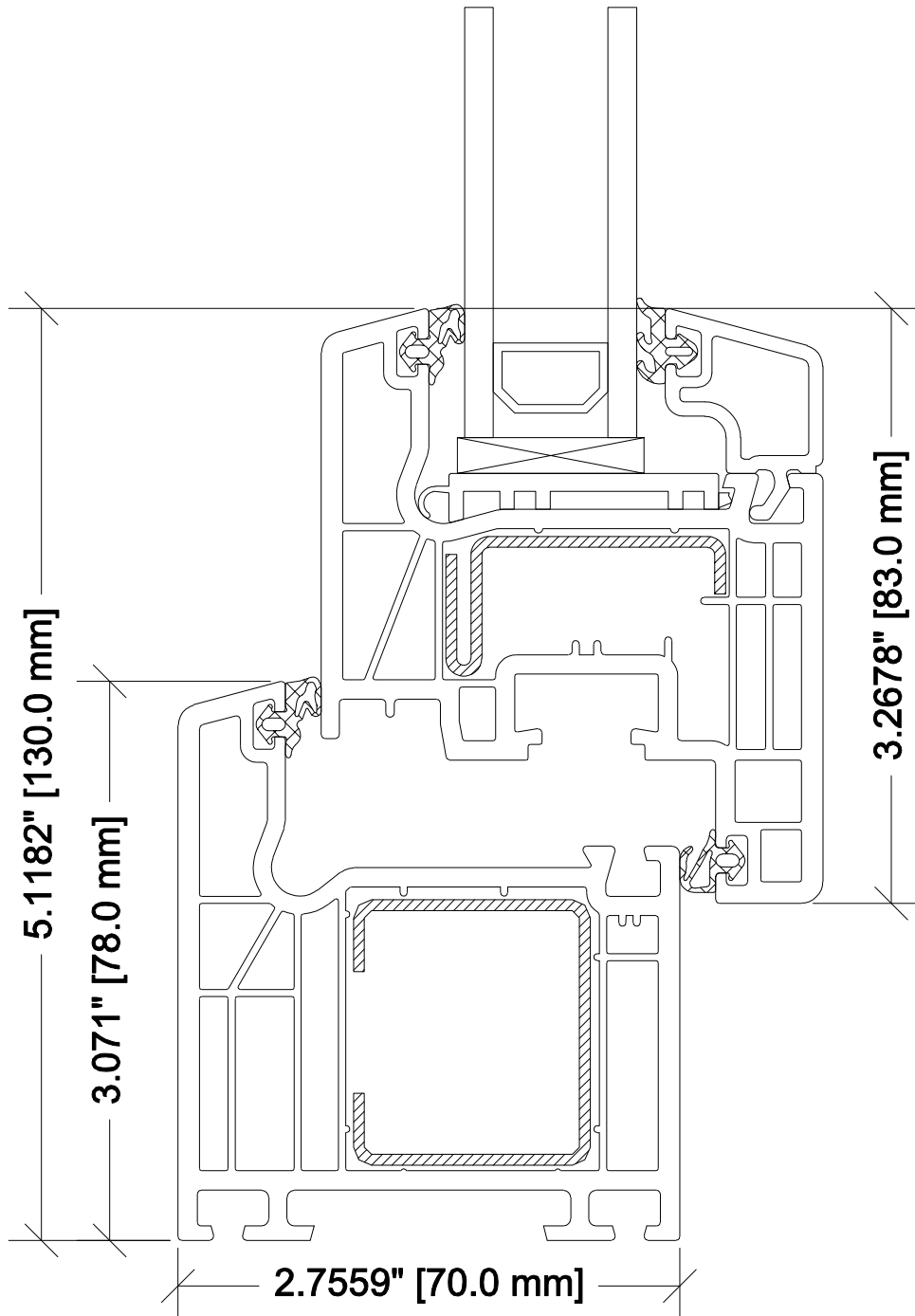
DWG: 13

SCALE: FULL

DATE: 11/15/2010

DWG BY: PS

EXTERIOR



INTERIOR

TradeWind DISTRIBUTION



TW15-V WINDOWS AND DOORS
FRAME 78 / SASH 83

PLAN SECTION @ FRAME

SCALE: FULL

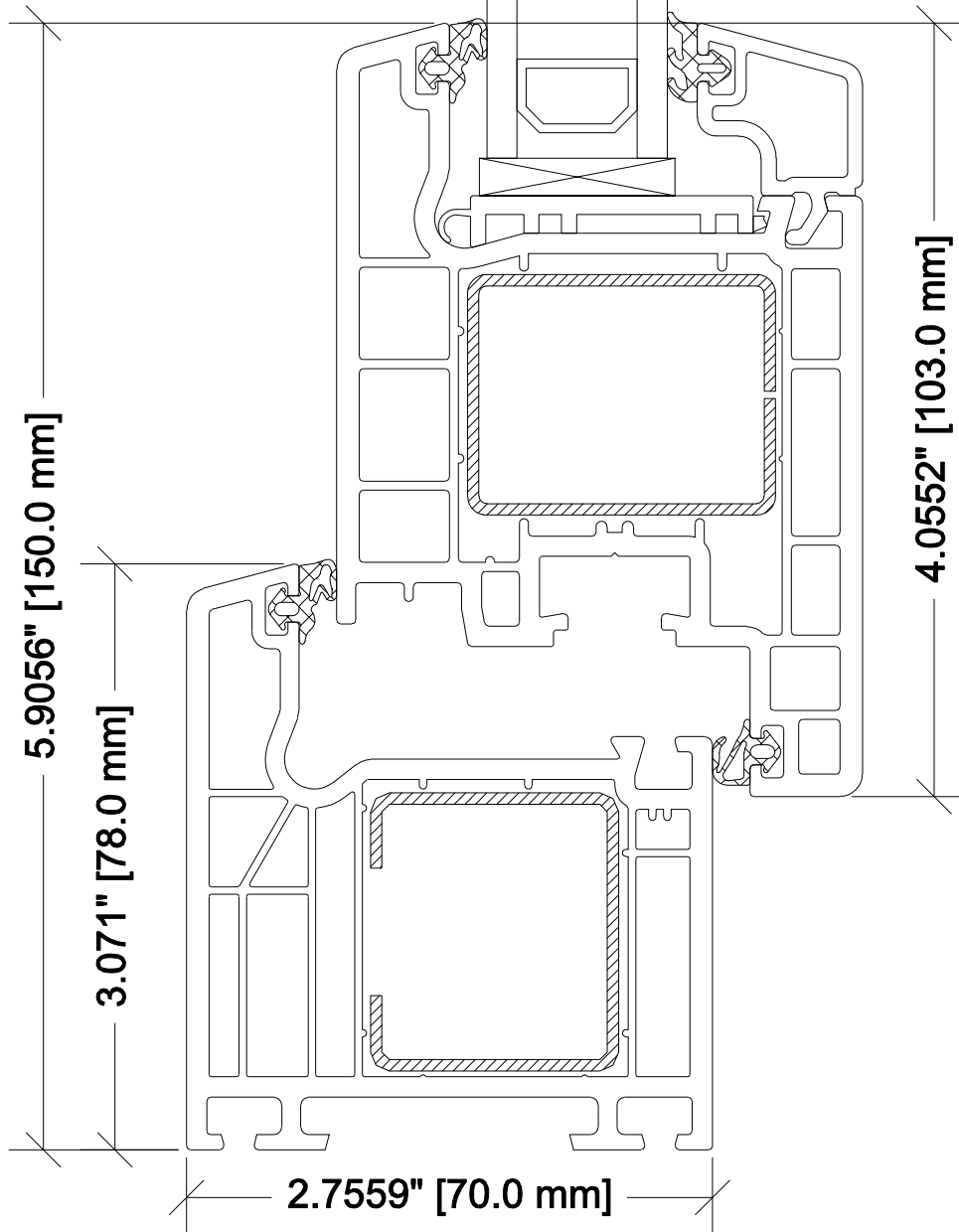
DATE: 11/15/2010

DWG BY: PS

JOB: TW15V

DWG: 14

EXTERIOR



INTERIOR

TradeWind DISTRIBUTION



TW15-V WINDOWS AND DOORS
FRAME 78 / SASH 103

PLAN SECTION @ FRAME

SCALE: FULL

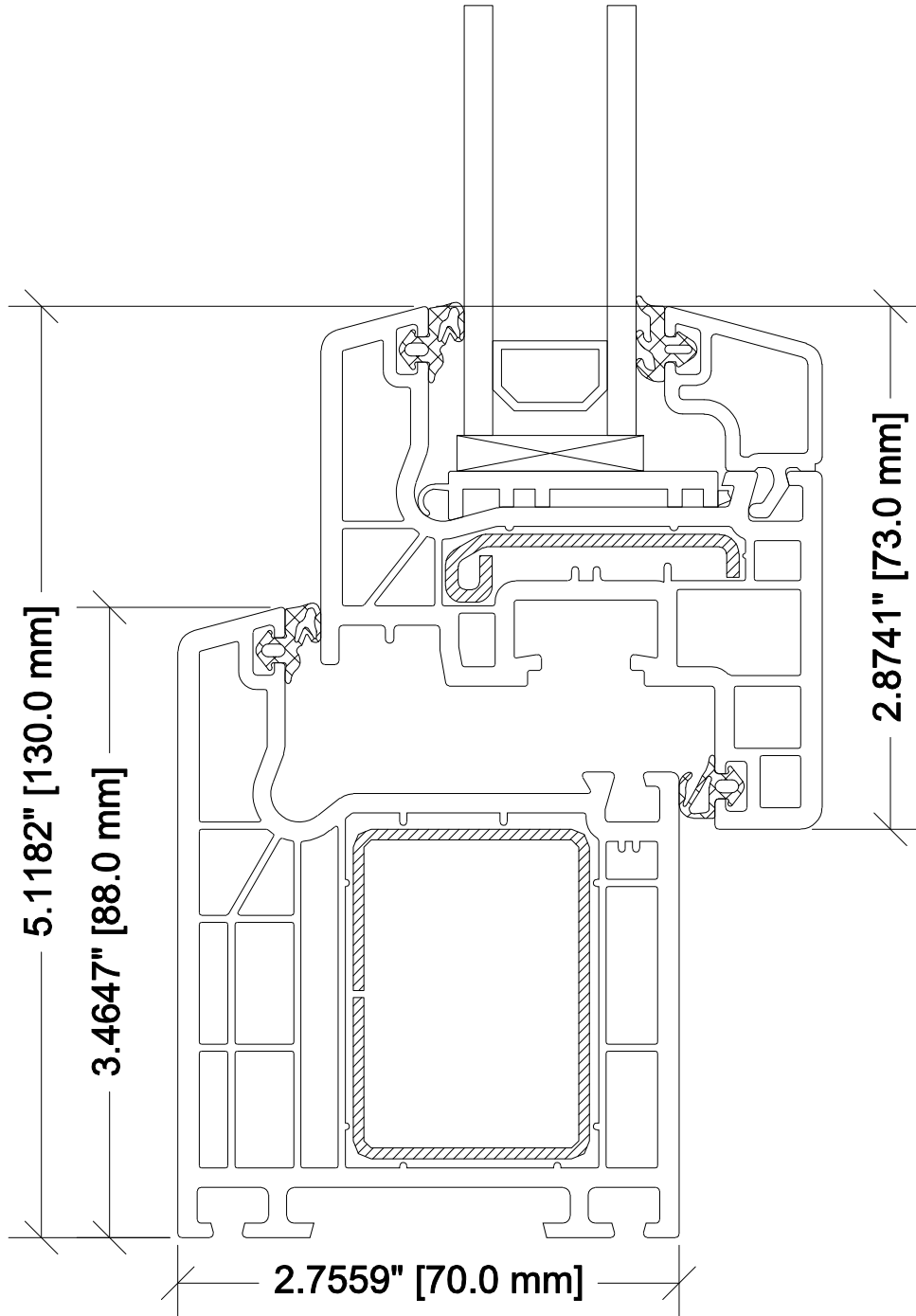
DATE: 11/15/2010

DWG BY: PS

JOB: TW15V

DWG: 15

EXTERIOR



INTERIOR

TradeWind DISTRIBUTION



TW15-V WINDOWS AND DOORS
FRAME 88 / SASH 73

PLAN SECTION @ FRAME

SCALE: FULL

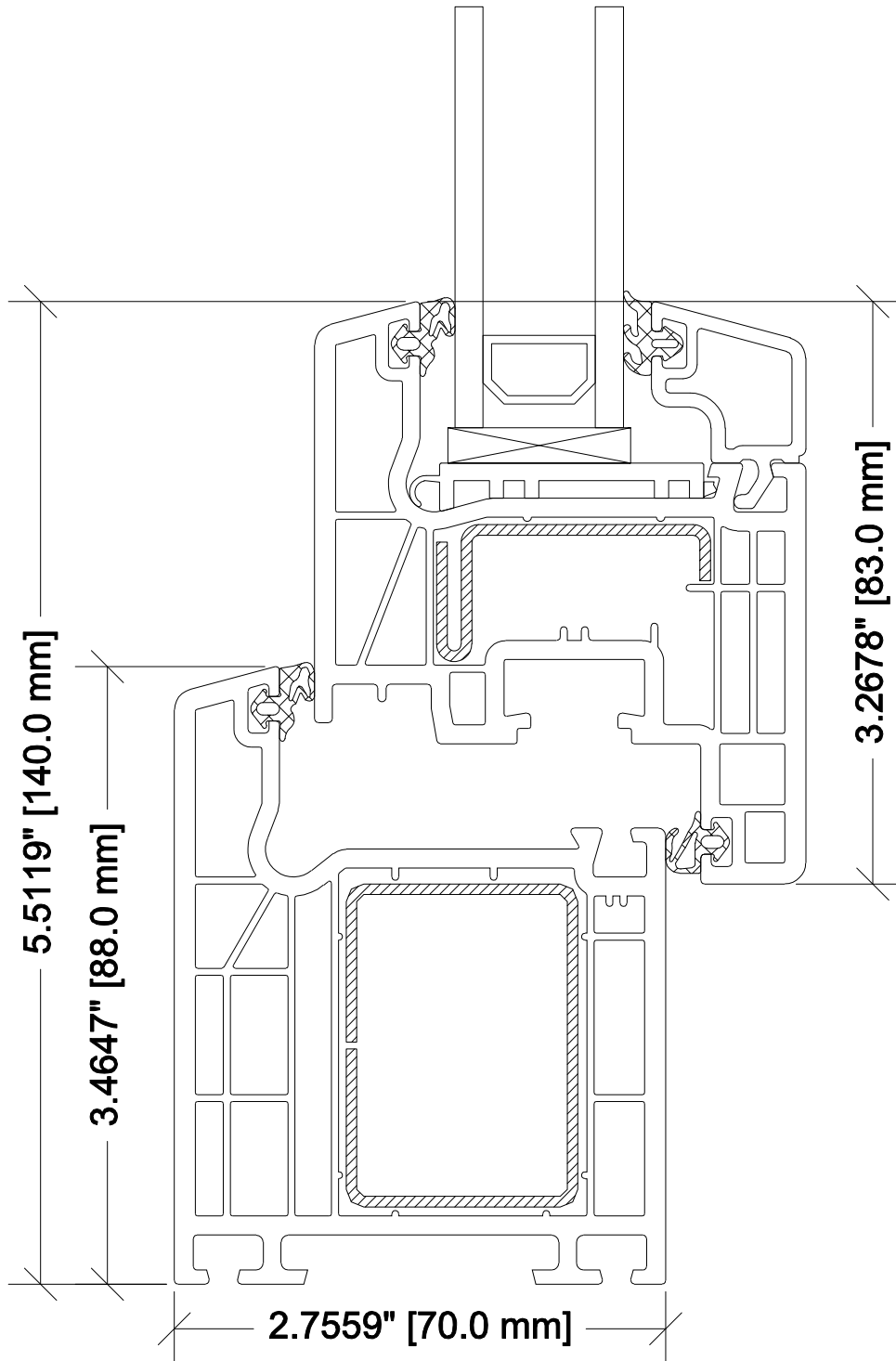
DATE: 11/15/2010

DWG BY: PS

JOB: TW15V

DWG: 16

EXTERIOR



INTERIOR

TradeWind DISTRIBUTION



TW15-V WINDOWS AND DOORS
FRAME 88 / SASH 83

PLAN SECTION @ FRAME

SCALE: FULL

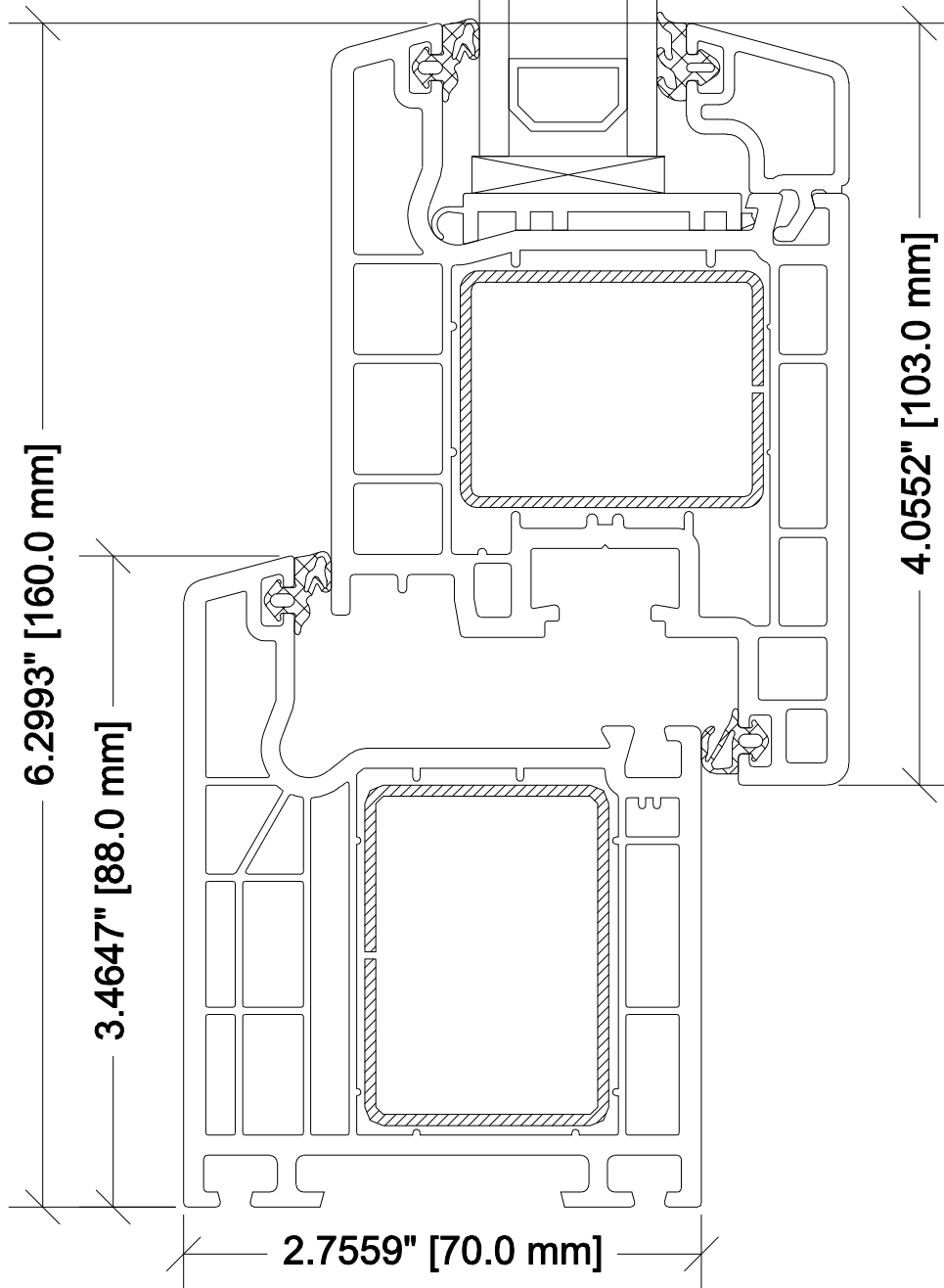
DATE: 11/15/2010

DWG BY: PS

JOB: TW15V

DWG: 17

EXTERIOR



INTERIOR

TradeWind DISTRIBUTION



TW15-V WINDOWS AND DOORS
FRAME 88 / SASH 103

PLAN SECTION @ FRAME

SCALE: FULL

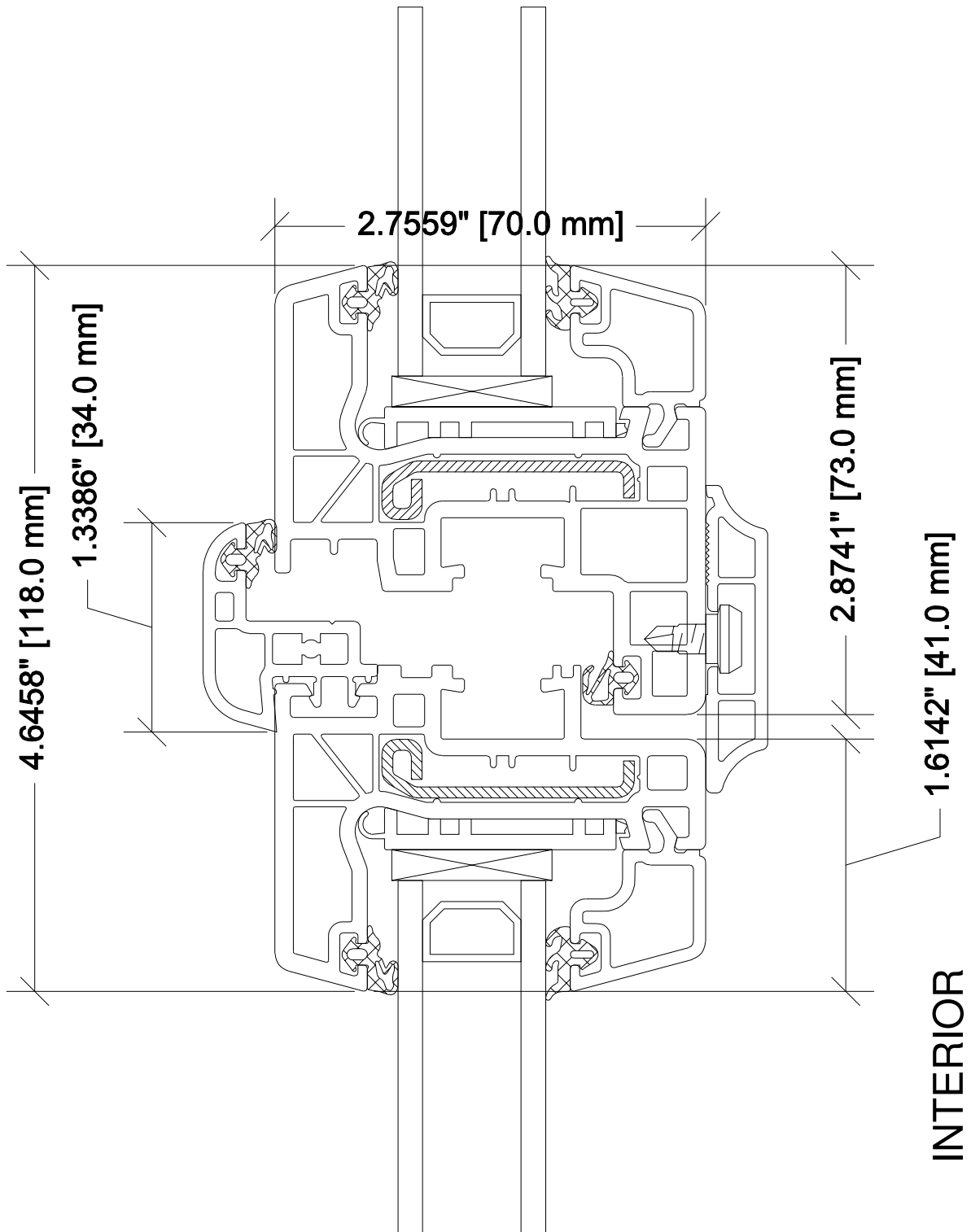
DATE: 11/15/2010

DWG BY: PS

JOB: TW15V

DWG: 18

EXTERIOR



TradeWind DISTRIBUTION



TW15-V WINDOWS AND DOORS
MULLION 34 / SASH 73

JOB: TW15V

PLAN SECTION @ MULLION

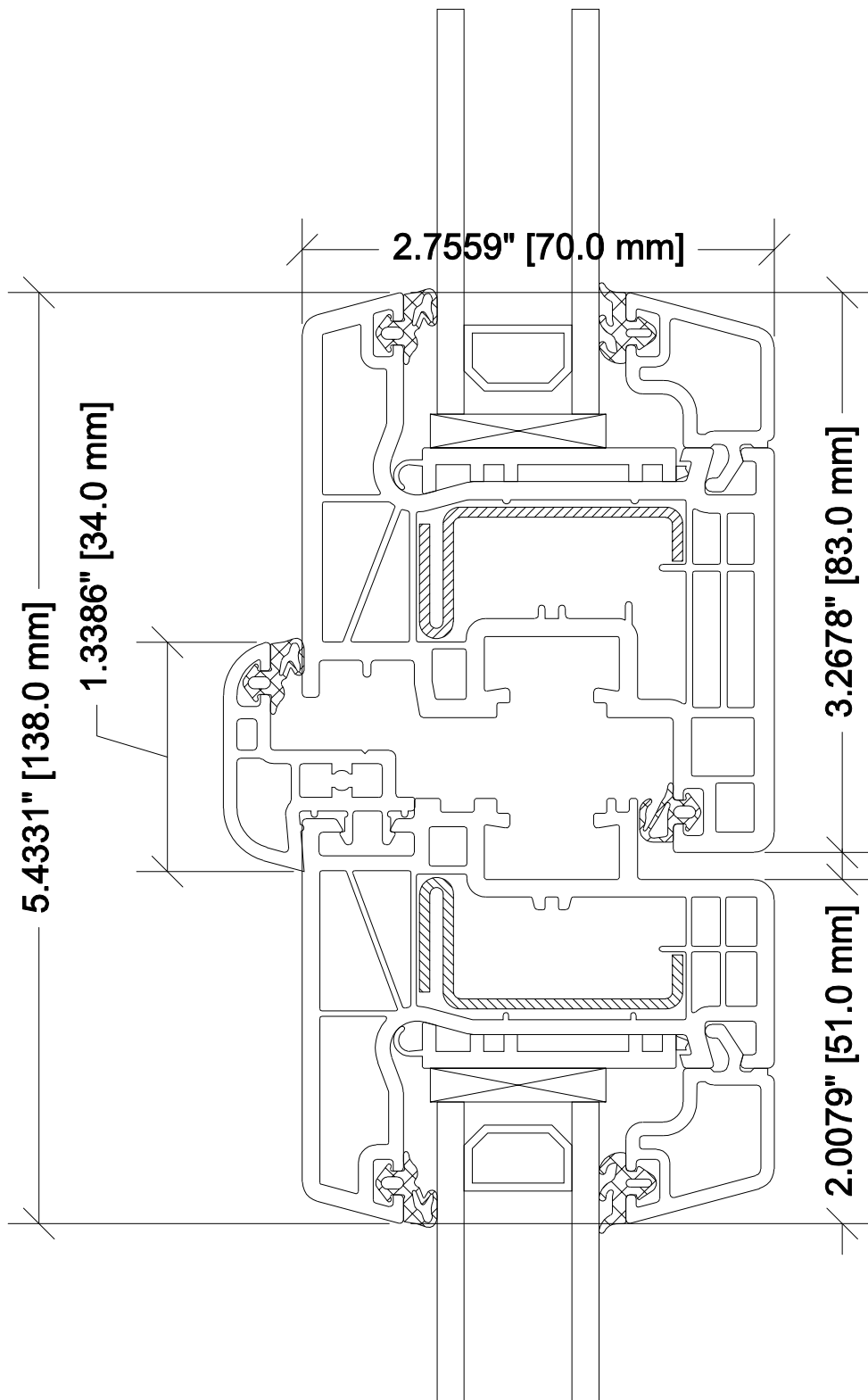
DWG: 19

SCALE: FULL

DATE: 11/15/2010

DWG BY: PS

EXTERIOR



TradeWind DISTRIBUTION



TW15-V WINDOWS AND DOORS
MULLION 34 / SASH 83

PLAN SECTION @ MULLION

SCALE: FULL

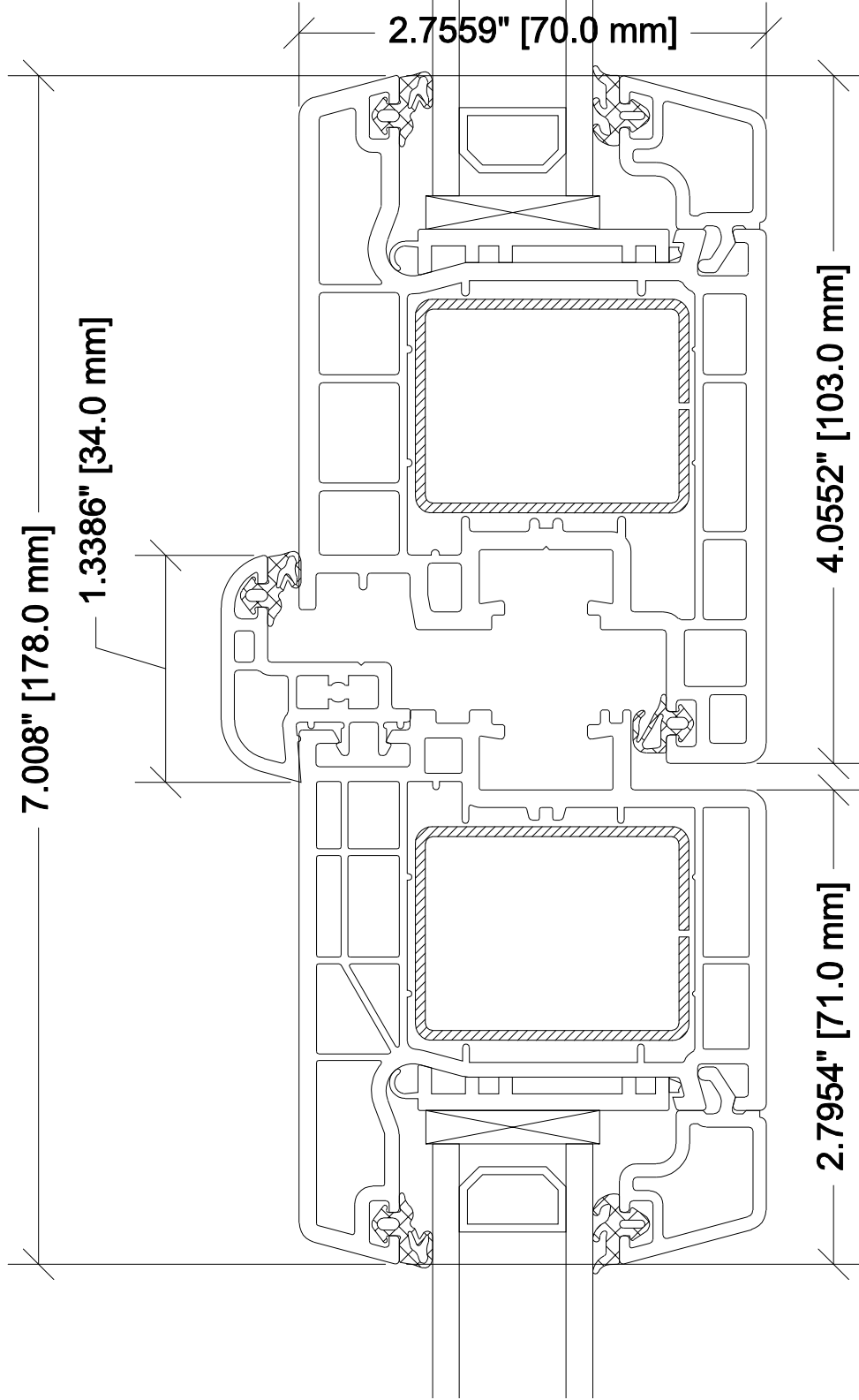
DATE: 11/15/2010

DWG BY: PS

JOB: TW15V

DWG: 20

EXTERIOR



INTERIOR

TradeWind DISTRIBUTION



TW15-V WINDOWS AND DOORS
MULLION 34 / SASH 103

JOB: TW15V

PLAN SECTION @ MULLION

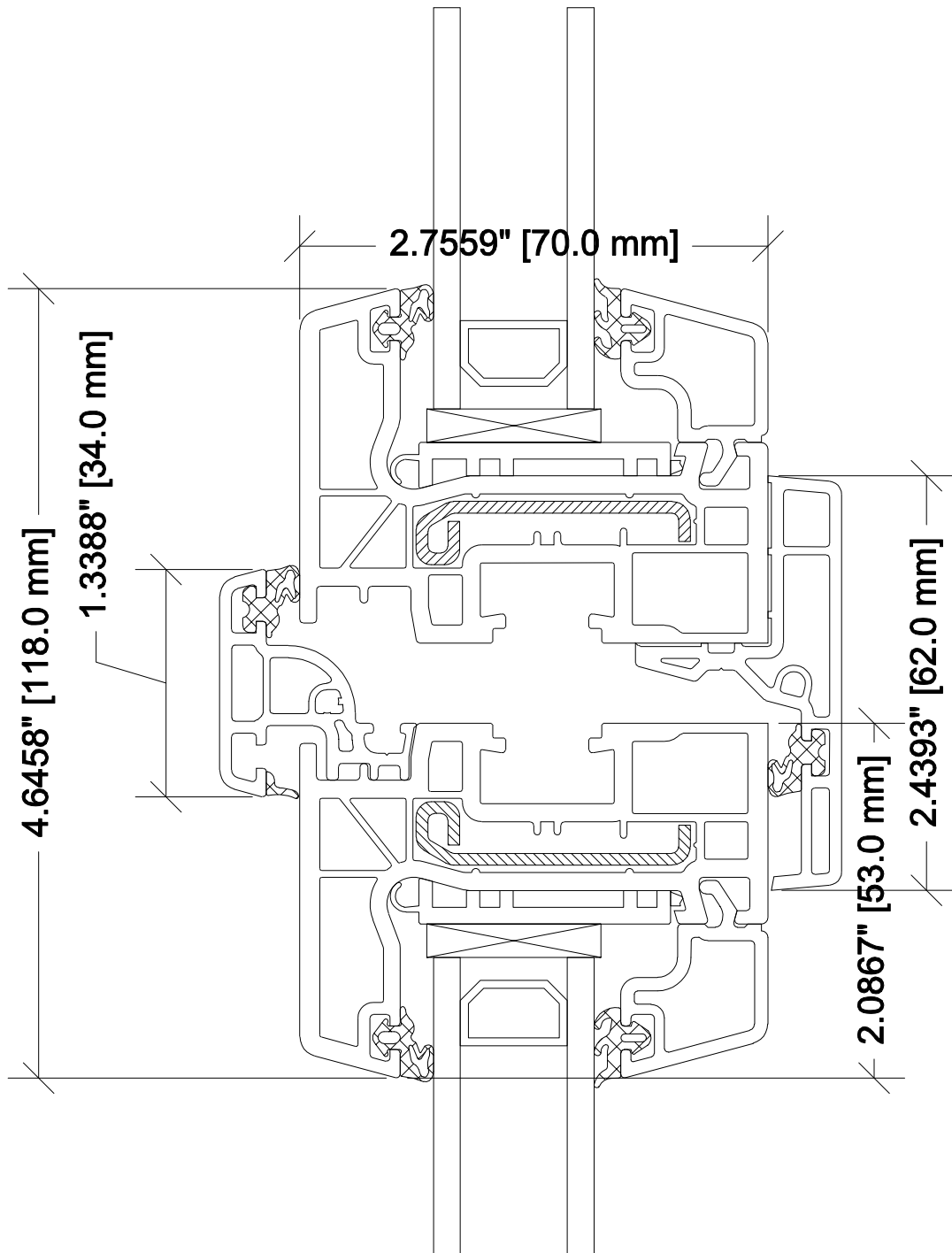
DWG: 21

SCALE: FULL

DATE: 11/15/2010

DWG BY: PS

EXTERIOR



INTERIOR

TradeWind DISTRIBUTION



TW15-V WINDOWS AND DOORS
MULLION 34 / SASH 73

JOB: TW15V

PLAN SECTION @ MULLION

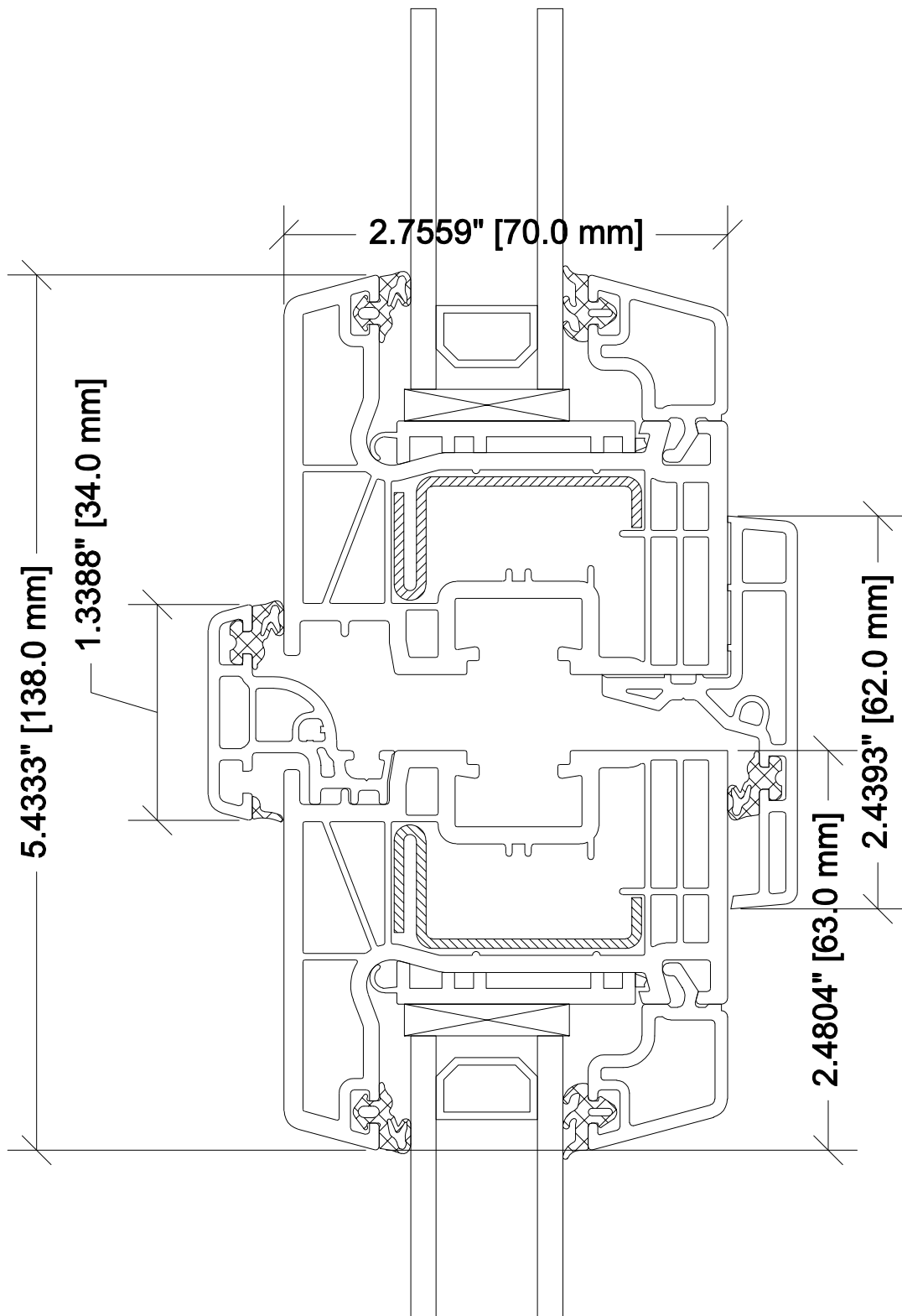
DWG: 22

SCALE: FULL

DATE: 11/15/2010

DWG BY: PS

EXTERIOR



TradeWind DISTRIBUTION



TW15-V WINDOWS AND DOORS
MULLION 34 / SASH 83

JOB: TW15V

PLAN SECTION @ MULLION

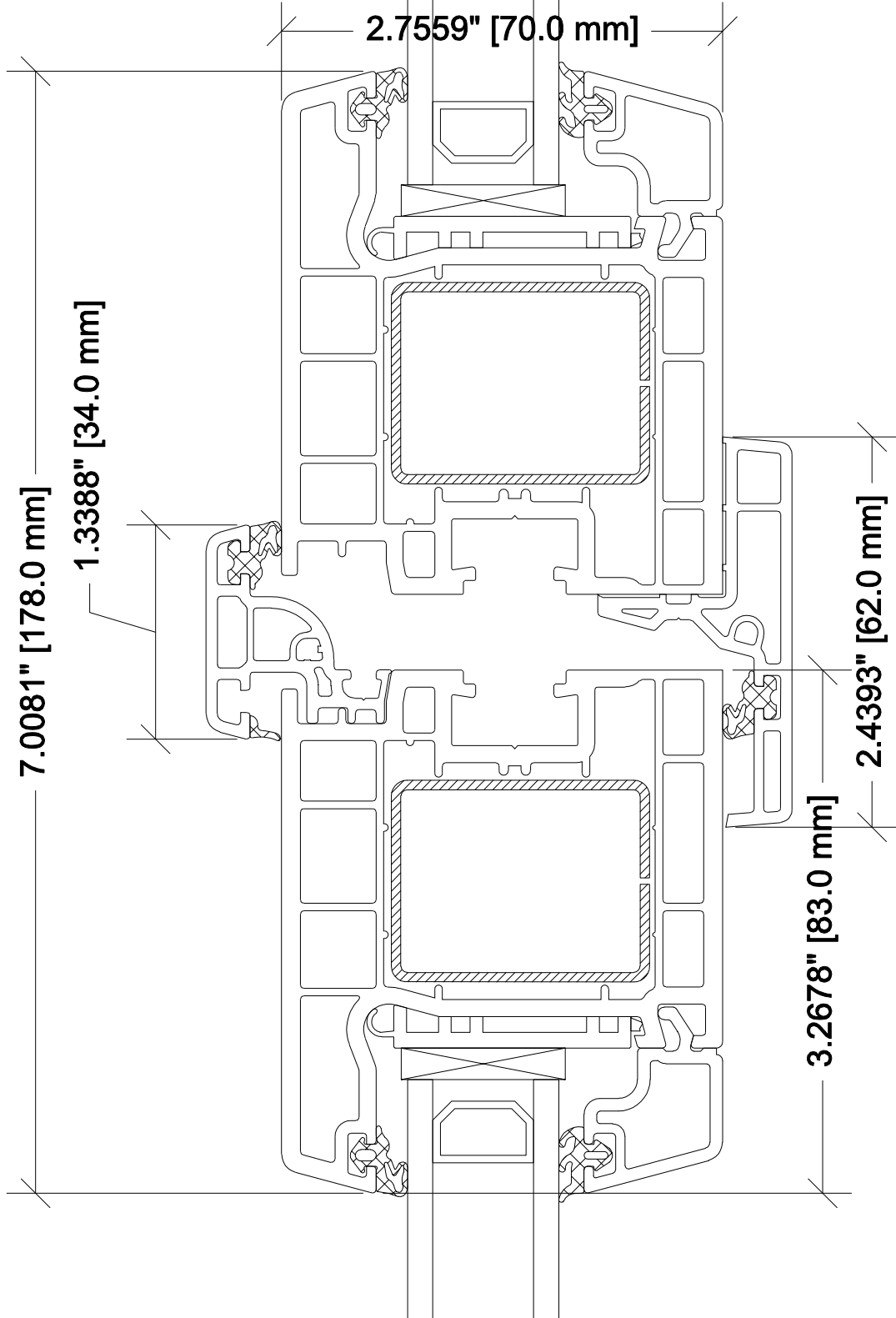
DWG: 23

SCALE: FULL

DATE: 11/15/2010

DWG BY: PS

EXTERIOR



TradeWind DISTRIBUTION



TW15-V WINDOWS AND DOORS
MULLION 34 / SASH 103

PLAN SECTION @ MULLION

SCALE: FULL

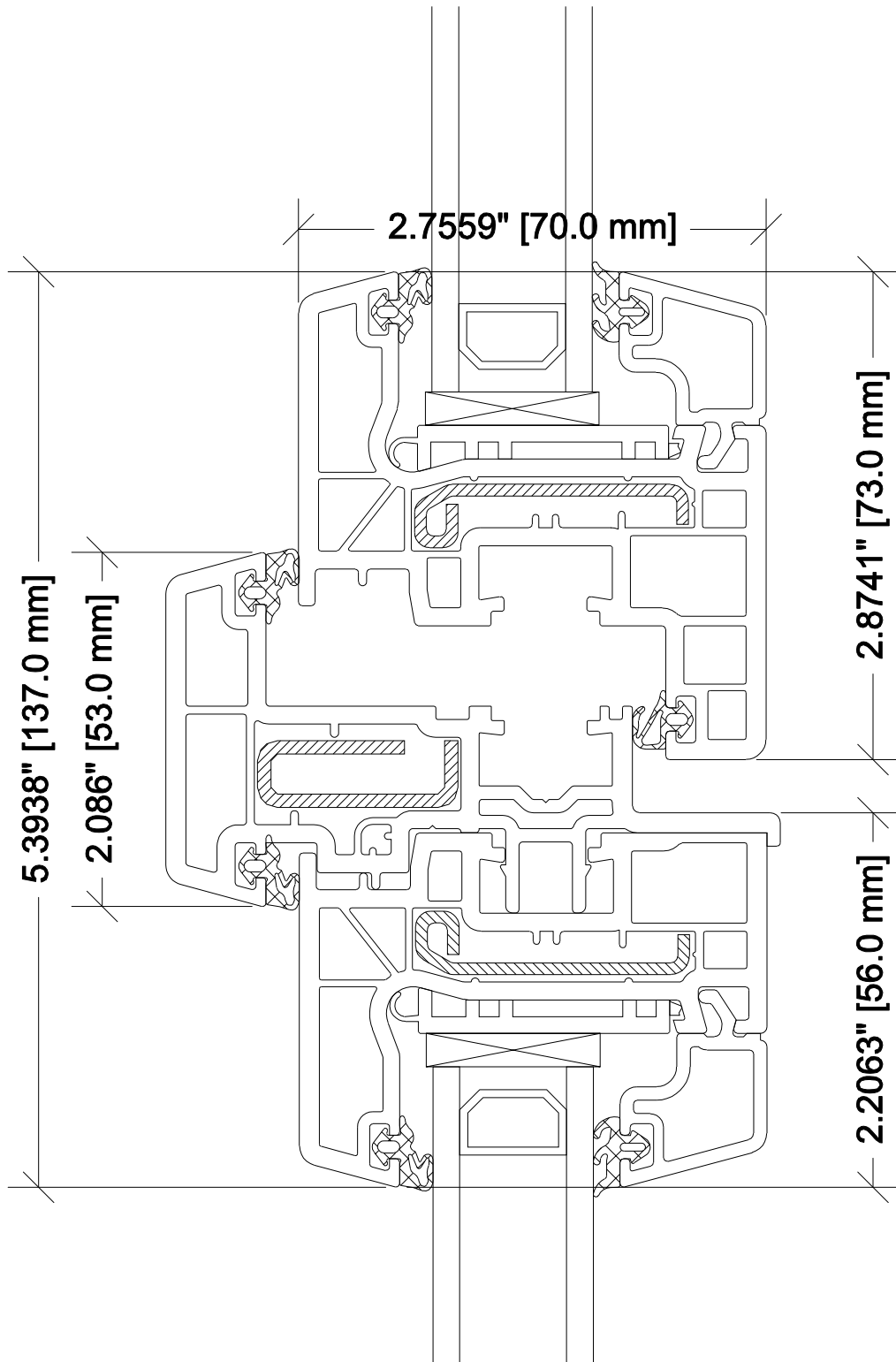
DATE: 11/15/2010

DWG BY: PS

JOB: TW15V

DWG: 24

EXTERIOR



TradeWind DISTRIBUTION



TW15-V WINDOWS AND DOORS
MULLION 53 / SASH 73

JOB: TW15V

PLAN SECTION @ MULLION

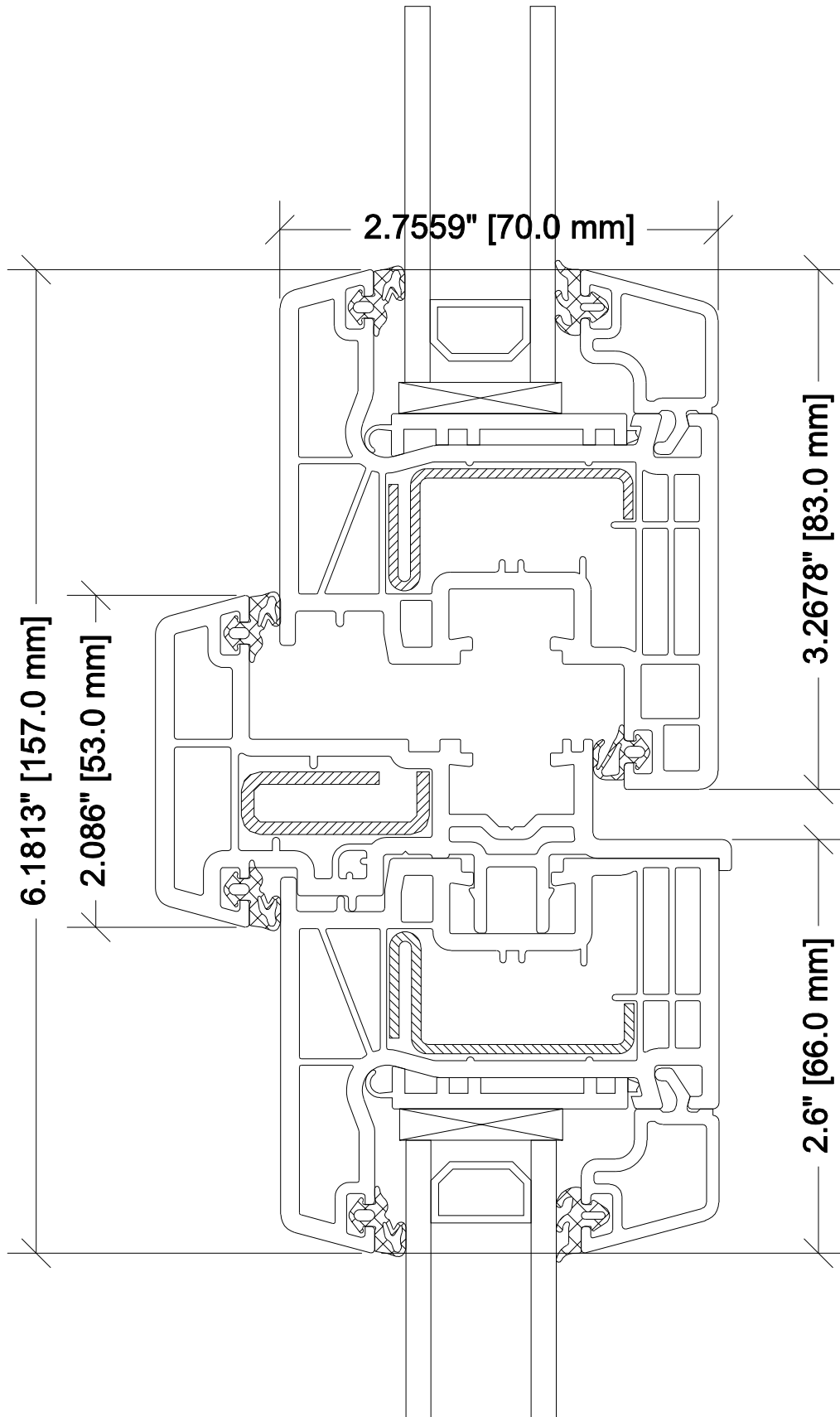
DWG: 25

SCALE: FULL

DATE: 11/15/2010

DWG BY: PS

EXTERIOR



TradeWind DISTRIBUTION



TW15-V WINDOWS AND DOORS
MULLION 53 / SASH 83

PLAN SECTION @ MULLION

SCALE: FULL

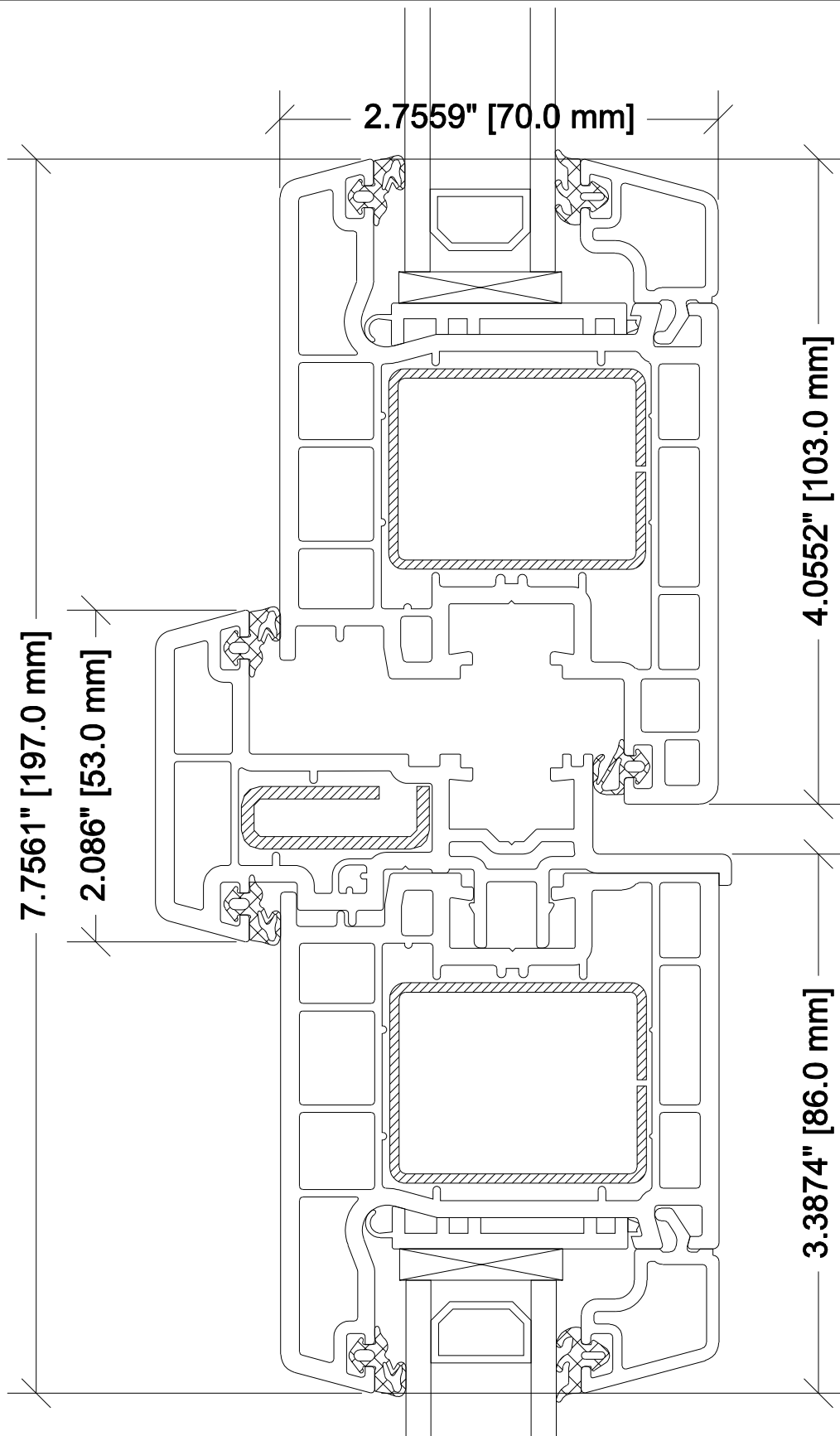
DATE: 11/15/2010

DWG BY: PS

JOB: TW15V

DWG: 26

EXTERIOR



TradeWind DISTRIBUTION



TW15-V WINDOWS AND DOORS
MULLION 53 / SASH 103

PLAN SECTION @ MULLION

SCALE: FULL

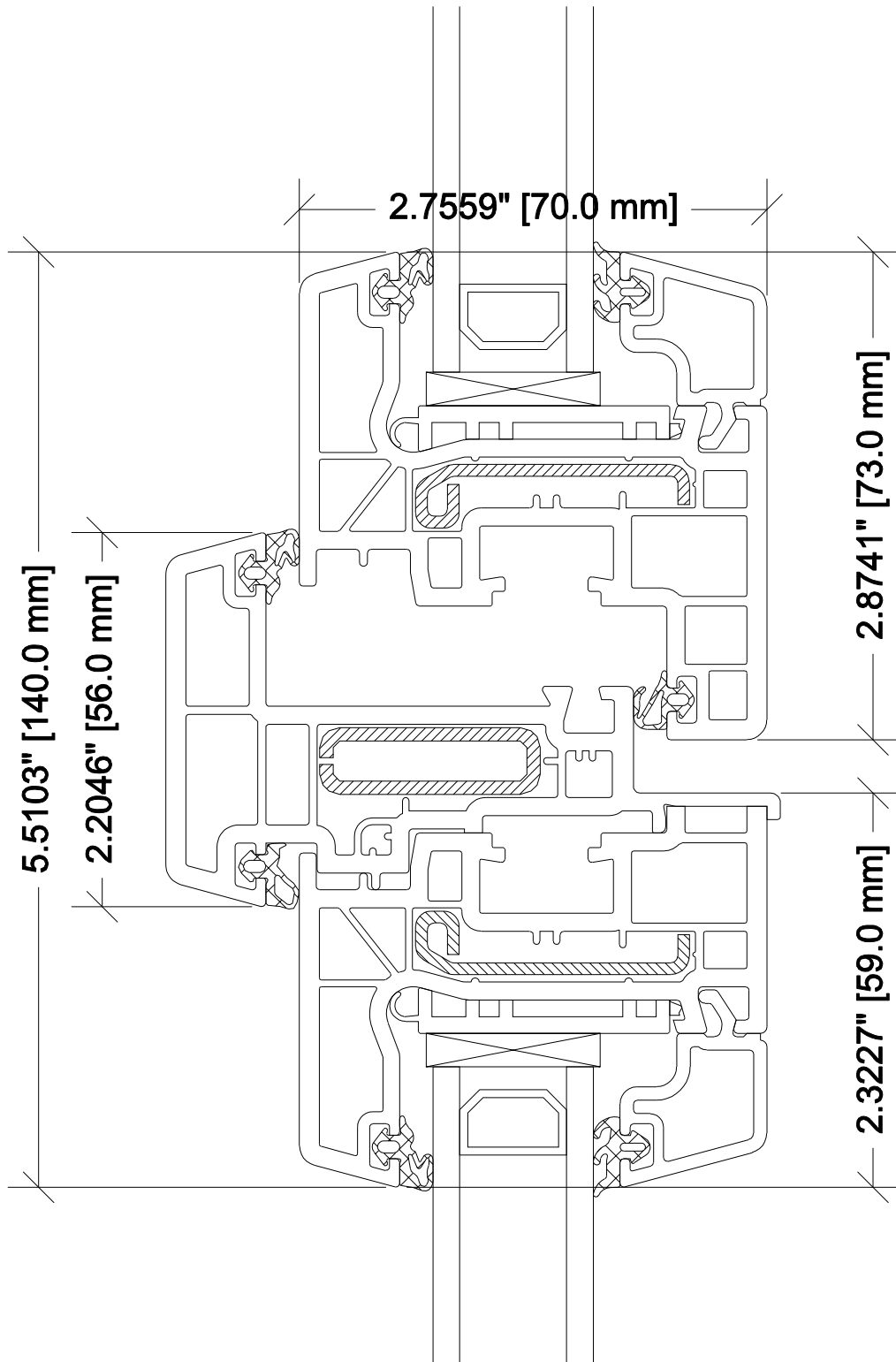
DATE: 11/15/2010

DWG BY: PS

JOB: TW15V

DWG: 27

EXTERIOR



INTERIOR

TradeWind DISTRIBUTION



TW15-V WINDOWS AND DOORS
MULLION 56 / SASH 73

JOB: TW15V

PLAN SECTION @ MULLION

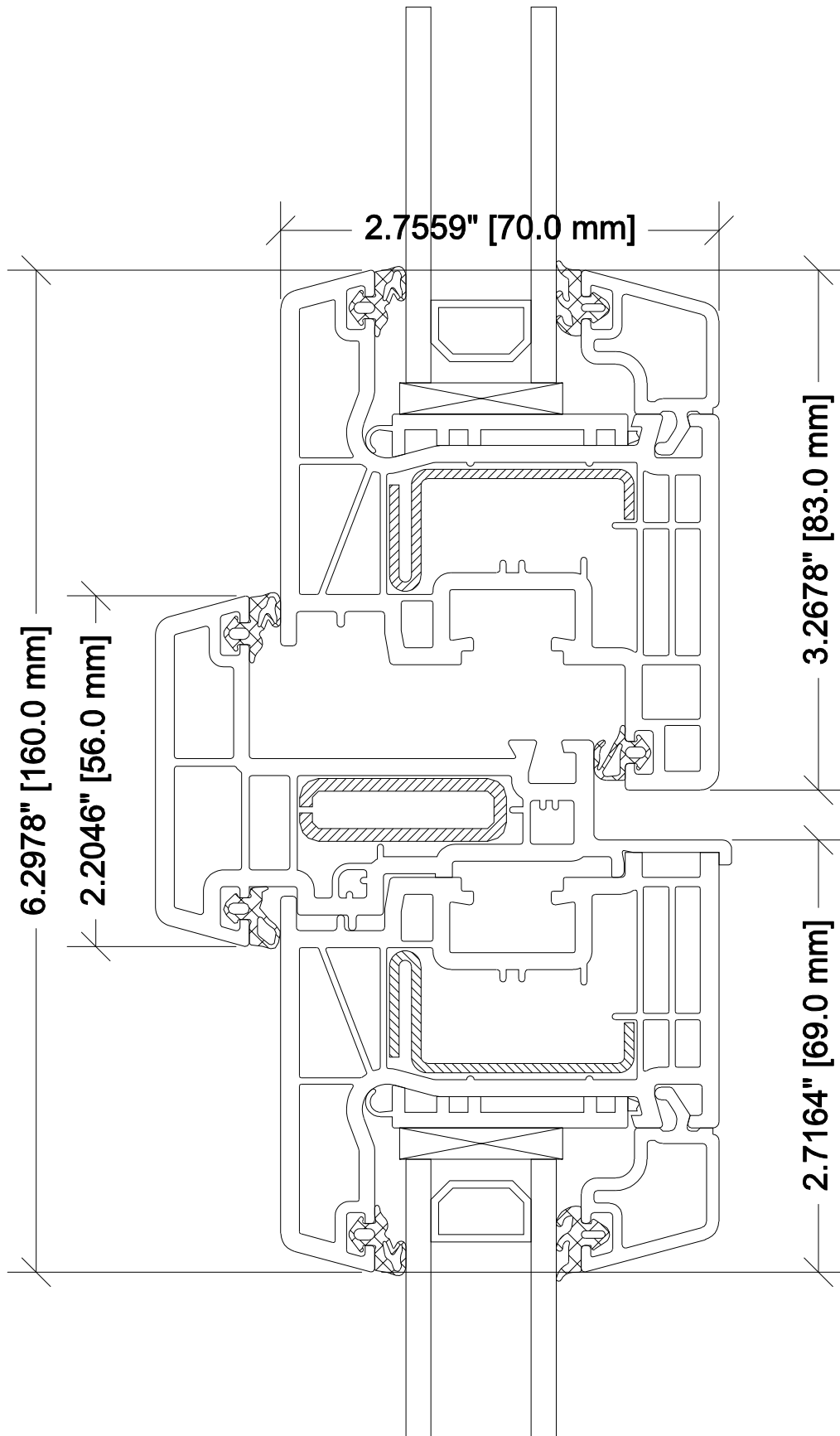
DWG: 28

SCALE: FULL

DATE: 11/15/2010

DWG BY: PS

EXTERIOR



TradeWind DISTRIBUTION



TW15-V WINDOWS AND DOORS
MULLION 56 / SASH 83

JOB: TW15V

PLAN SECTION @ MULLION

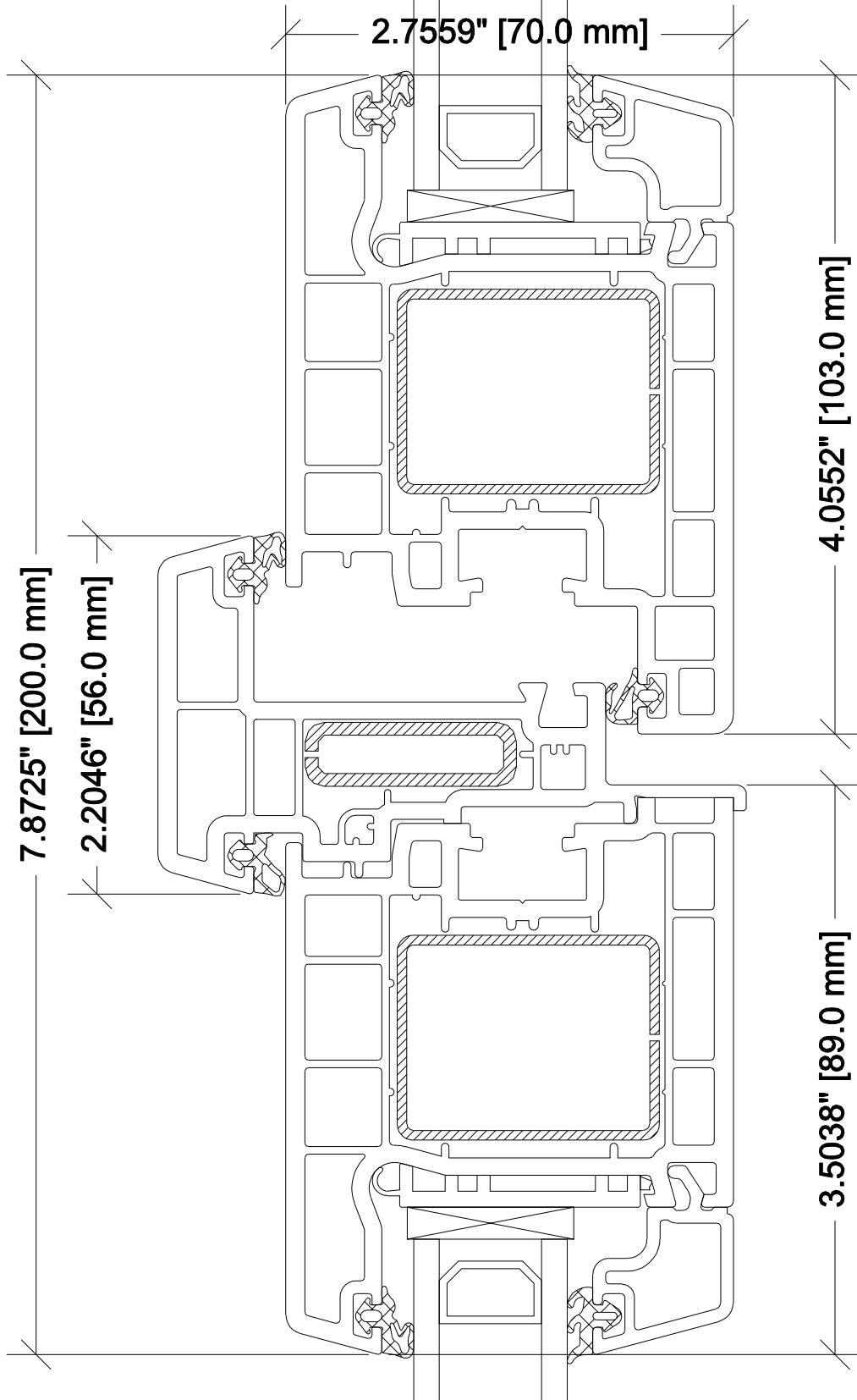
DWG: 29

SCALE: FULL

DATE: 11/15/2010

DWG BY: PS

EXTERIOR



TradeWind DISTRIBUTION



TW15-V WINDOWS AND DOORS
MULLION 56 / SASH 103

PLAN SECTION @ MULLION

SCALE: FULL

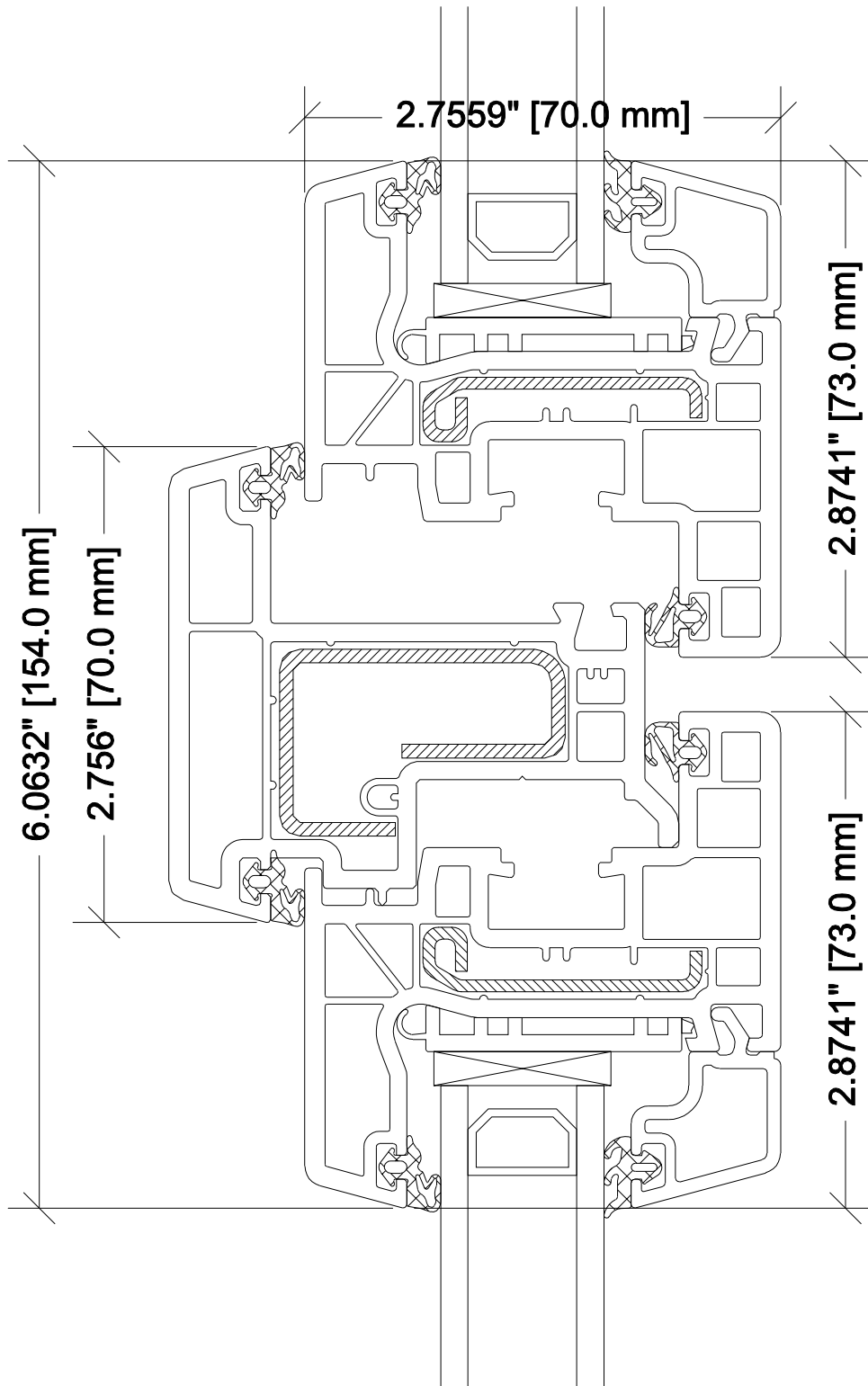
DATE: 11/15/2010

DWG BY: PS

JOB: TW15V

DWG: 30

EXTERIOR



INTERIOR

TradeWind DISTRIBUTION



TW15-V WINDOWS AND DOORS
MULLION 70 / SASH 73

JOB: TW15V

PLAN SECTION @ MULLION

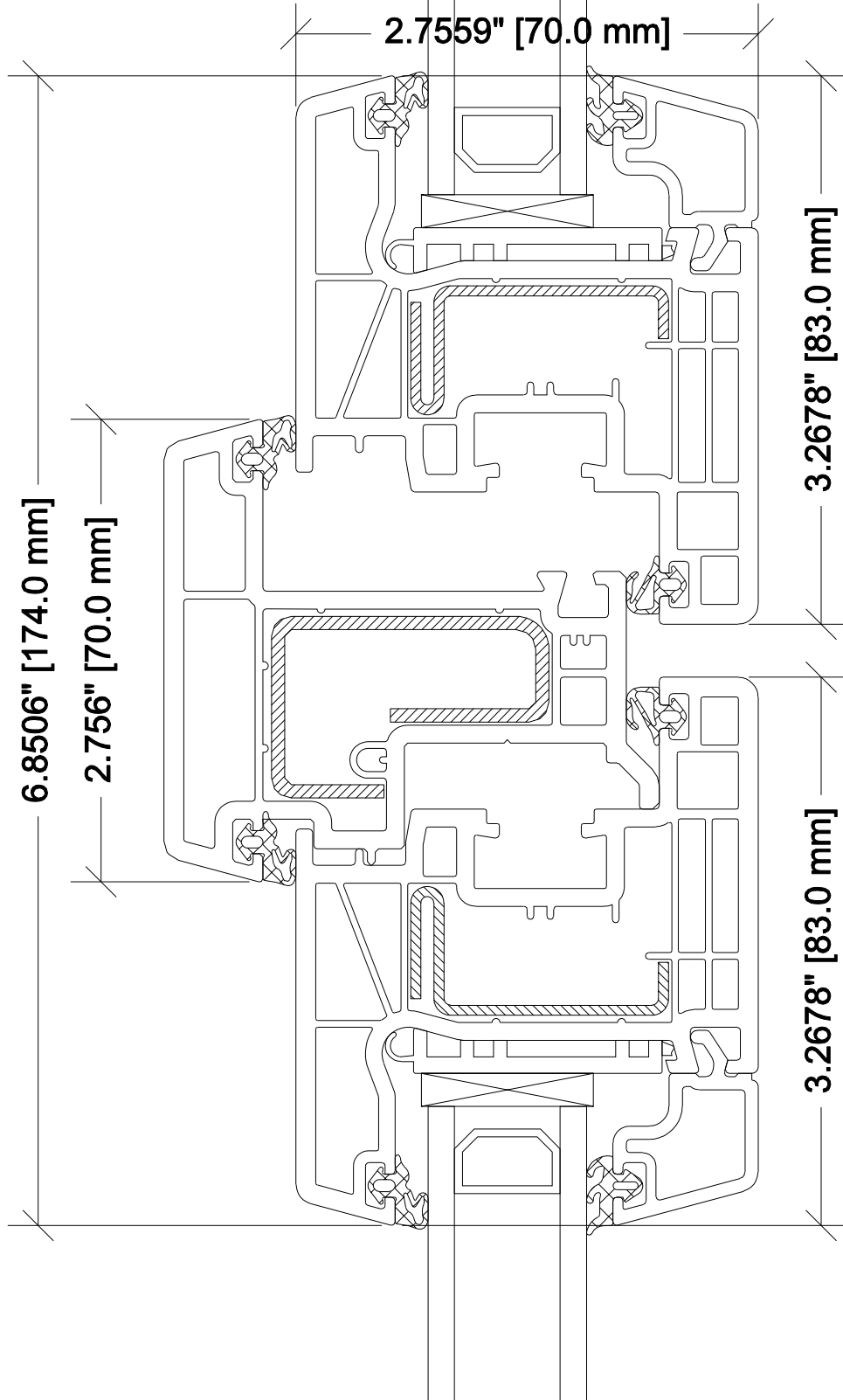
DWG: 31

SCALE: FULL

DATE: 11/15/2010

DWG BY: PS

EXTERIOR



TradeWind DISTRIBUTION



TW15-V WINDOWS AND DOORS
MULLION 70 / SASH 83

JOB: TW15V

PLAN SECTION @ MULLION

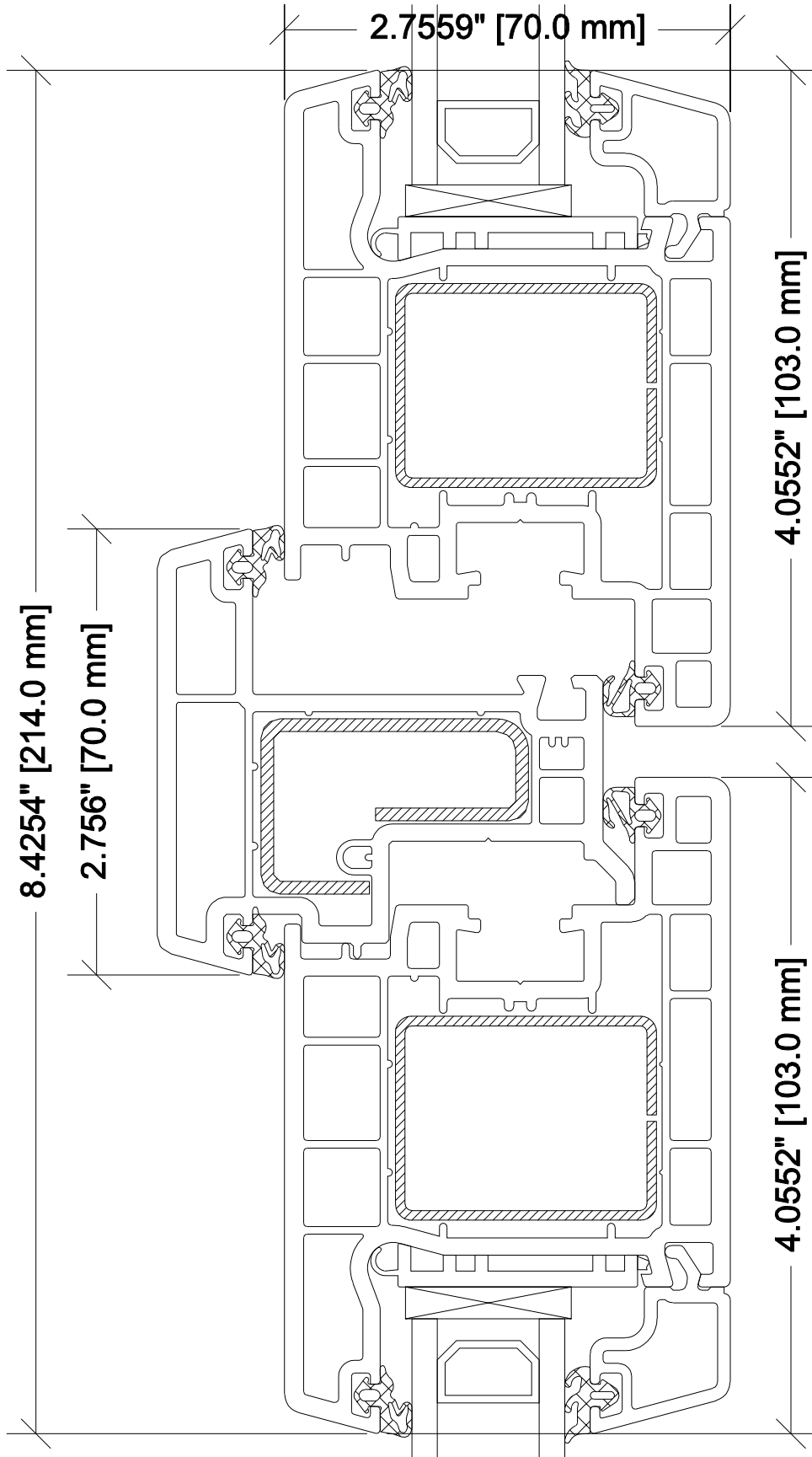
DWG: 32

SCALE: FULL

DATE: 11/15/2010

DWG BY: PS

EXTERIOR



TradeWind DISTRIBUTION



TW15-V WINDOWS AND DOORS
MULLION 70 / SASH 103

JOB: TW15V

PLAN SECTION @ MULLION

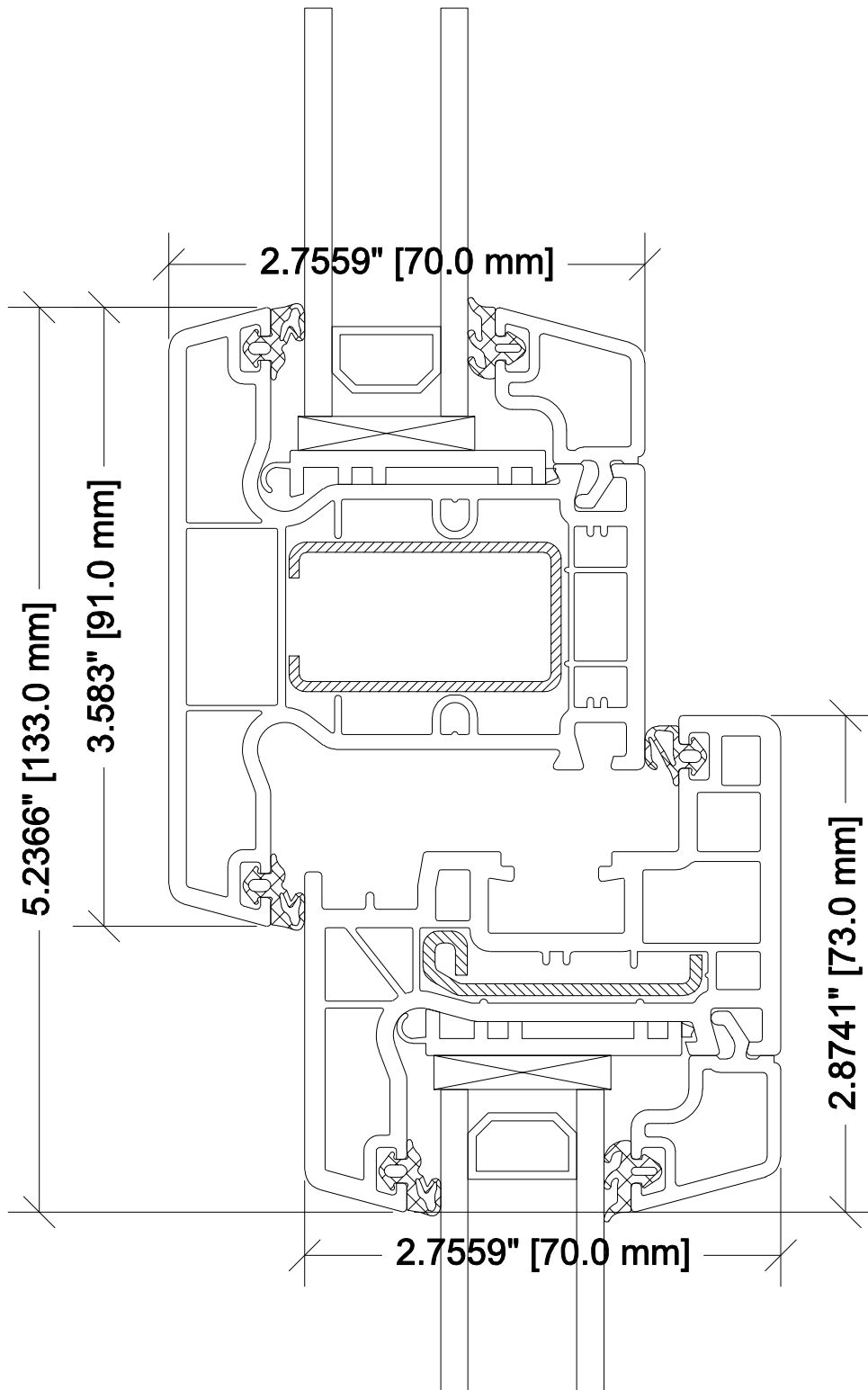
DWG: 33

SCALE: FULL

DATE: 11/15/2010

DWG BY: PS

EXTERIOR



INTERIOR

TradeWind DISTRIBUTION



TW15-V WINDOWS AND DOORS
POST 91 / SASH 73

JOB: TW15V

PLAN SECTION @ MULLION POST

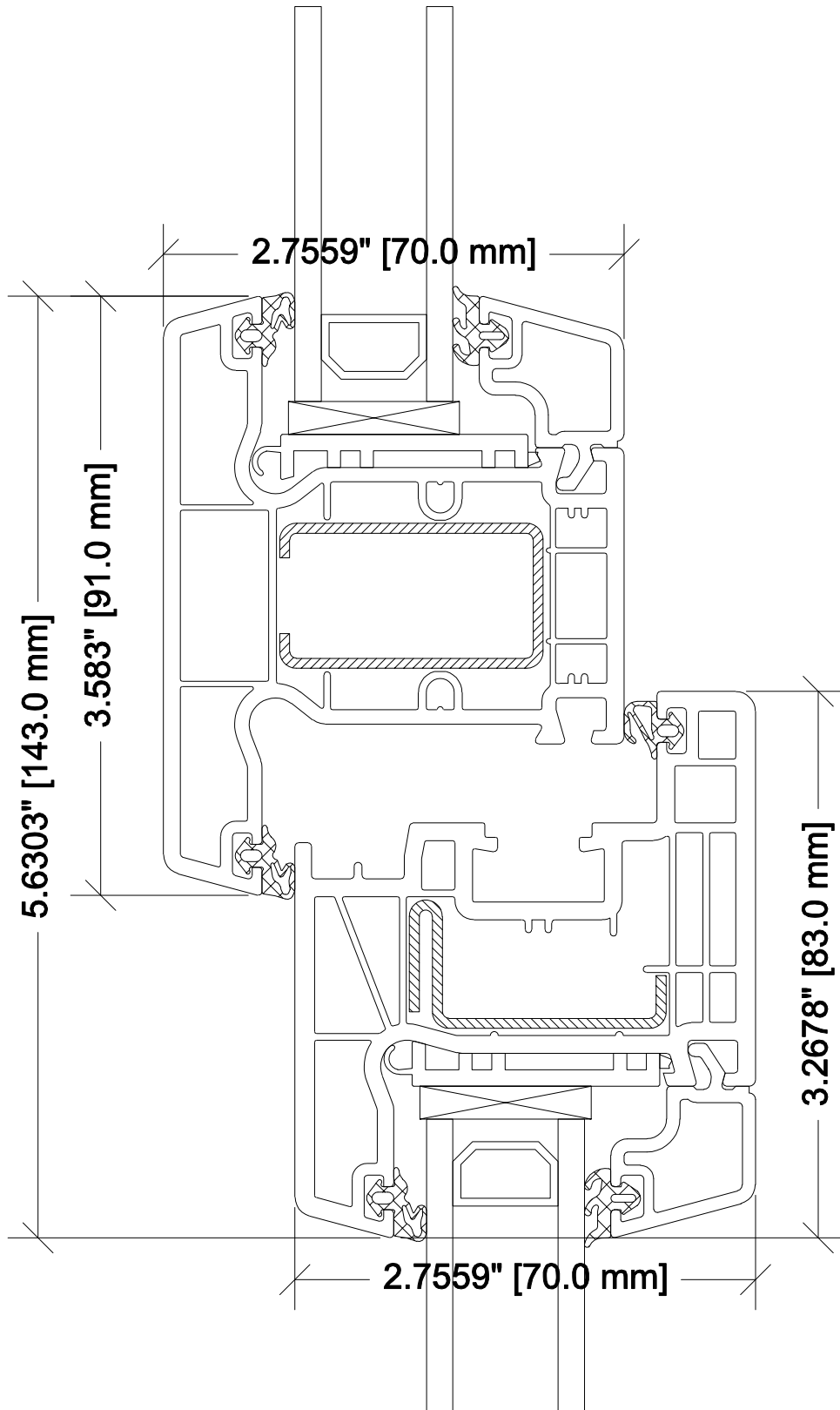
DWG: 34

SCALE: FULL

DATE: 11/15/2010

DWG BY: PS

EXTERIOR



TradeWind DISTRIBUTION



TW15-V WINDOWS AND DOORS
POST 91 / SASH 83

JOB: TW15V

PLAN SECTION @ MULLION POST

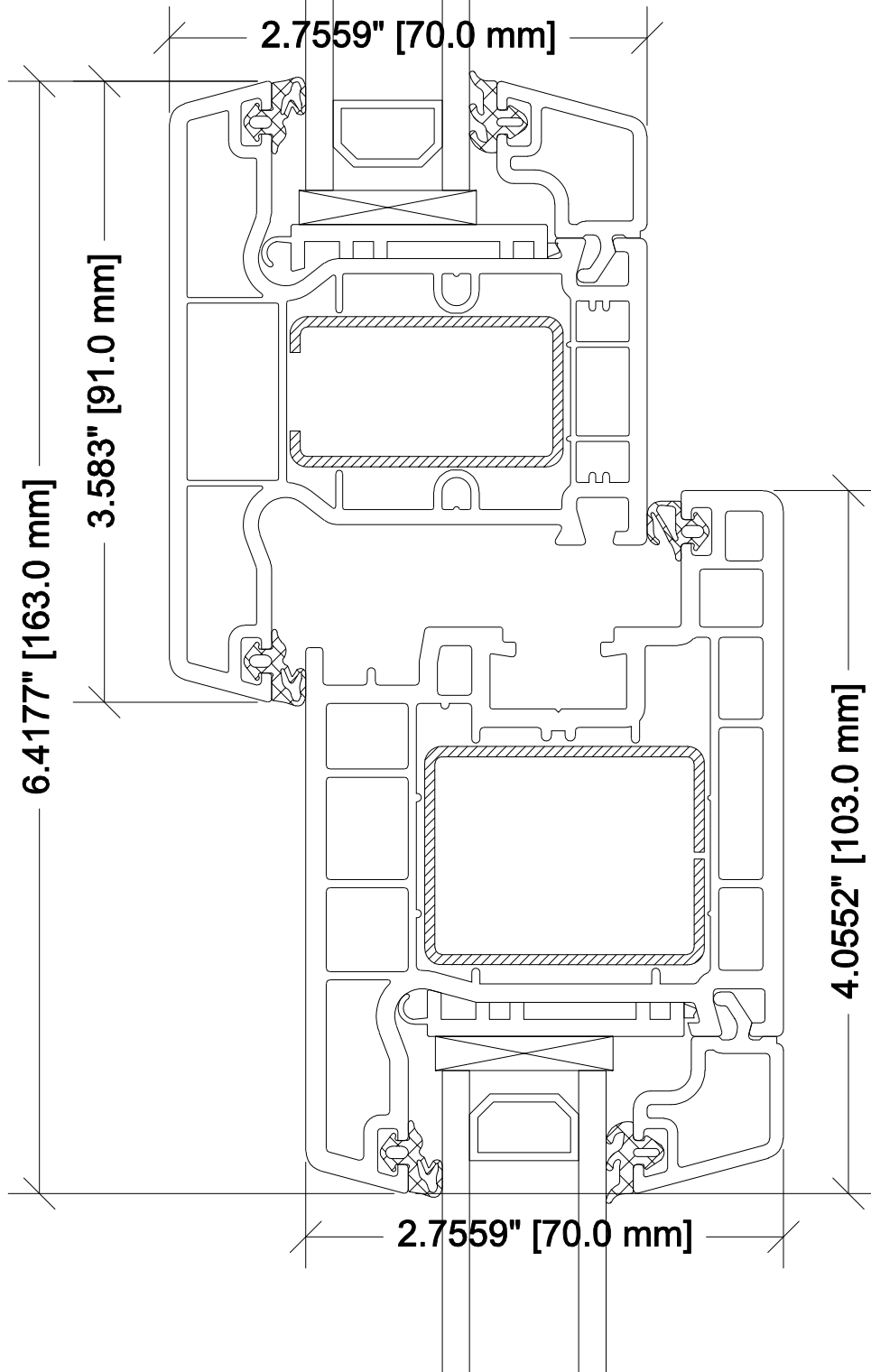
DWG: 35

SCALE: FULL

DATE: 11/15/2010

DWG BY: PS

EXTERIOR



TradeWind DISTRIBUTION



TW15-V WINDOWS AND DOORS
POST 91 / SASH 103

JOB: TW15V

PLAN SECTION @ MULLION POST

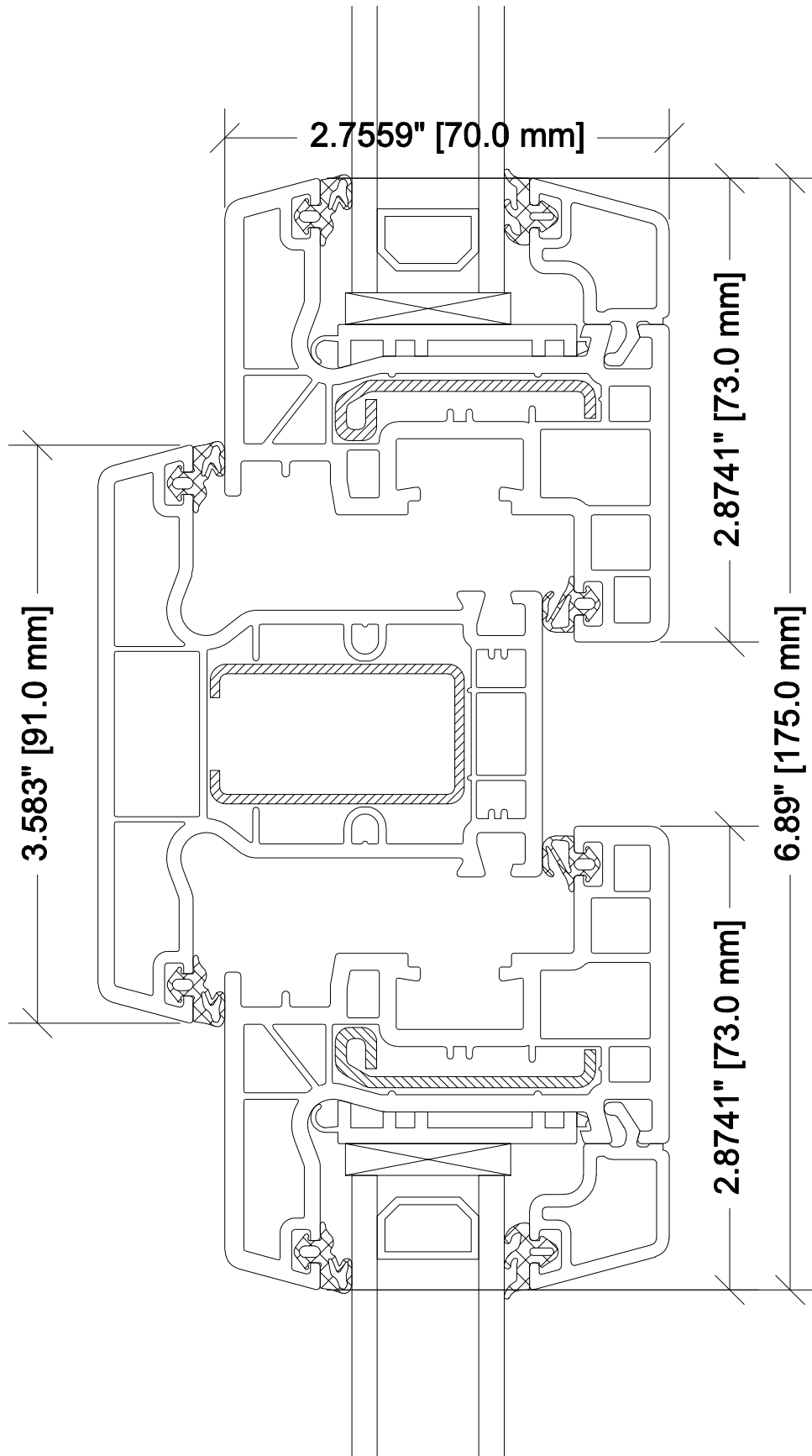
DWG: 36

SCALE: FULL

DATE: 11/15/2010

DWG BY: PS

EXTERIOR



INTERIOR

TradeWind DISTRIBUTION



FINESTRA

TW15-V WINDOWS AND DOORS
POST 91 / SASH 73

PLAN SECTION @ MULLION POST

SCALE: FULL

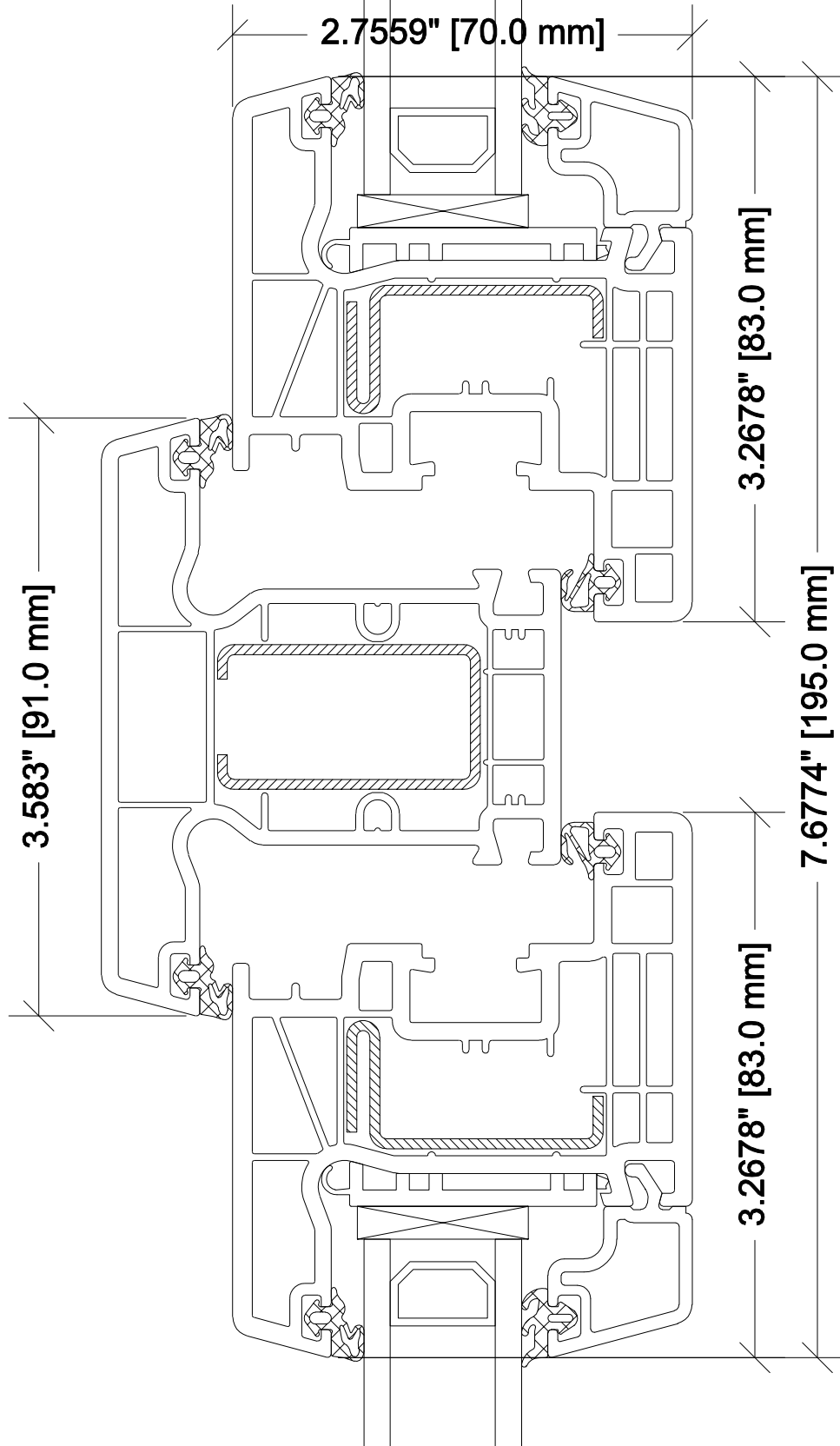
DATE: 11/15/2010

DWG BY: PS

JOB: TW15V

DWG: 37

EXTERIOR



INTERIOR

TradeWind DISTRIBUTION



TW15-V WINDOWS AND DOORS
POST 91 / SASH 83

PLAN SECTION @ MULLION POST

SCALE: FULL

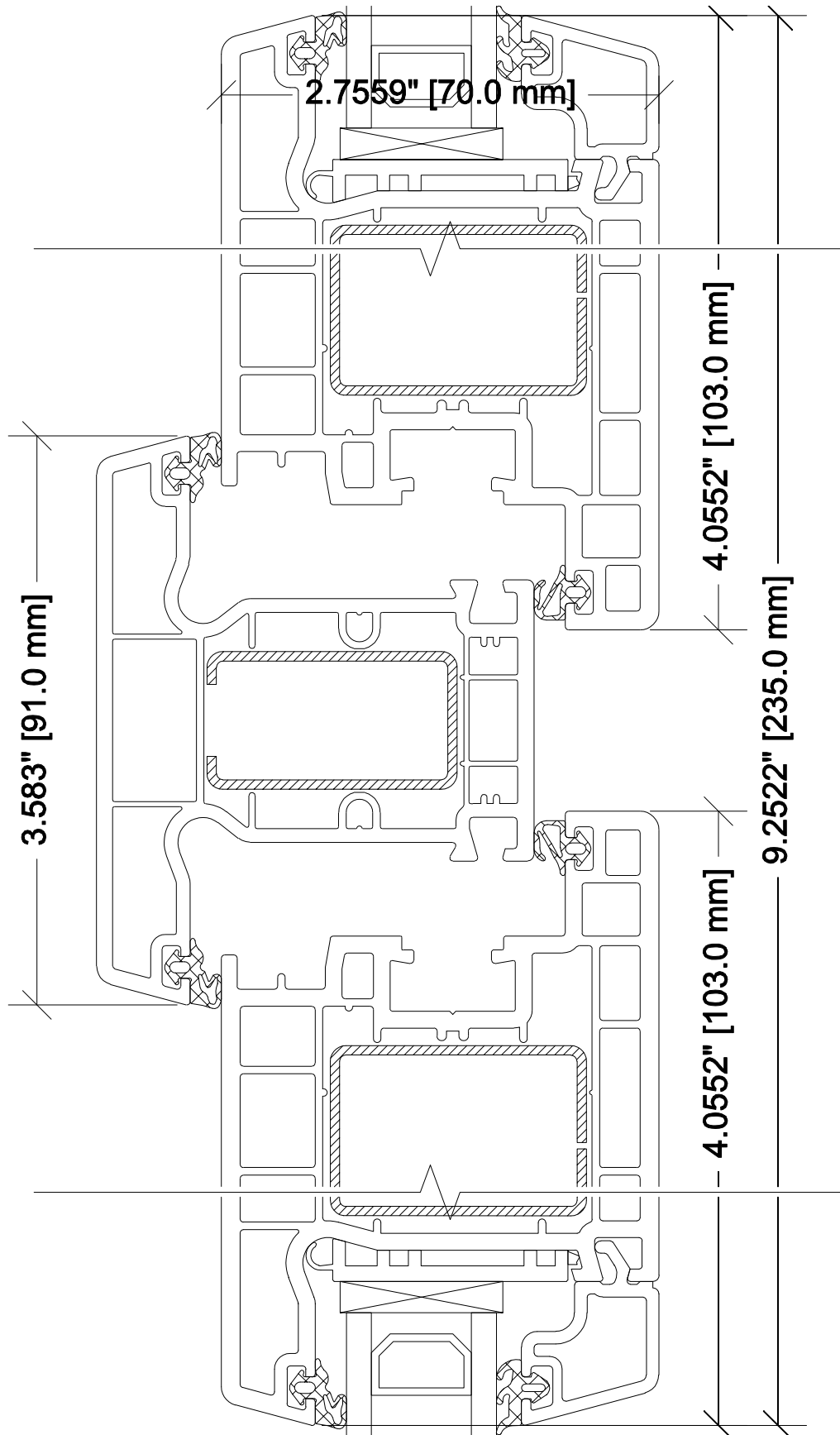
DATE: 11/15/2010

DWG BY: PS

JOB: TW15V

DWG: 38

EXTERIOR



INTERIOR

TradeWind DISTRIBUTION



TW15-V WINDOWS AND DOORS
POST 91 / SASH 103

JOB: TW15V

PLAN SECTION @ MULLION POST

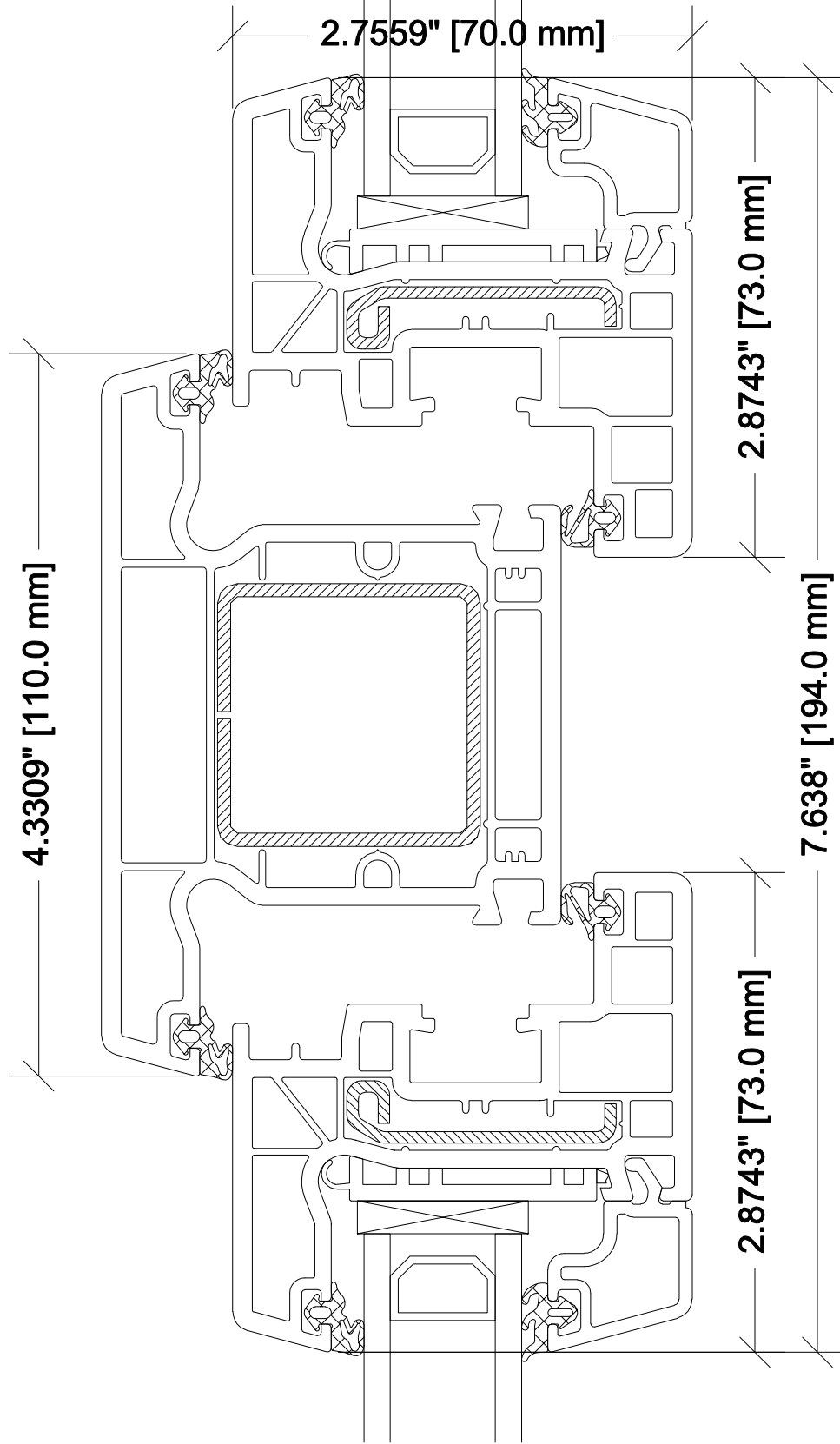
DWG: 39

SCALE: FULL

DATE: 11/15/2010

DWG BY: PS

EXTERIOR



INTERIOR

TradeWind DISTRIBUTION



FINESTRA

TW15-V WINDOWS AND DOORS
POST 110 / SASH 73

PLAN SECTION @ MULLION POST

SCALE: FULL

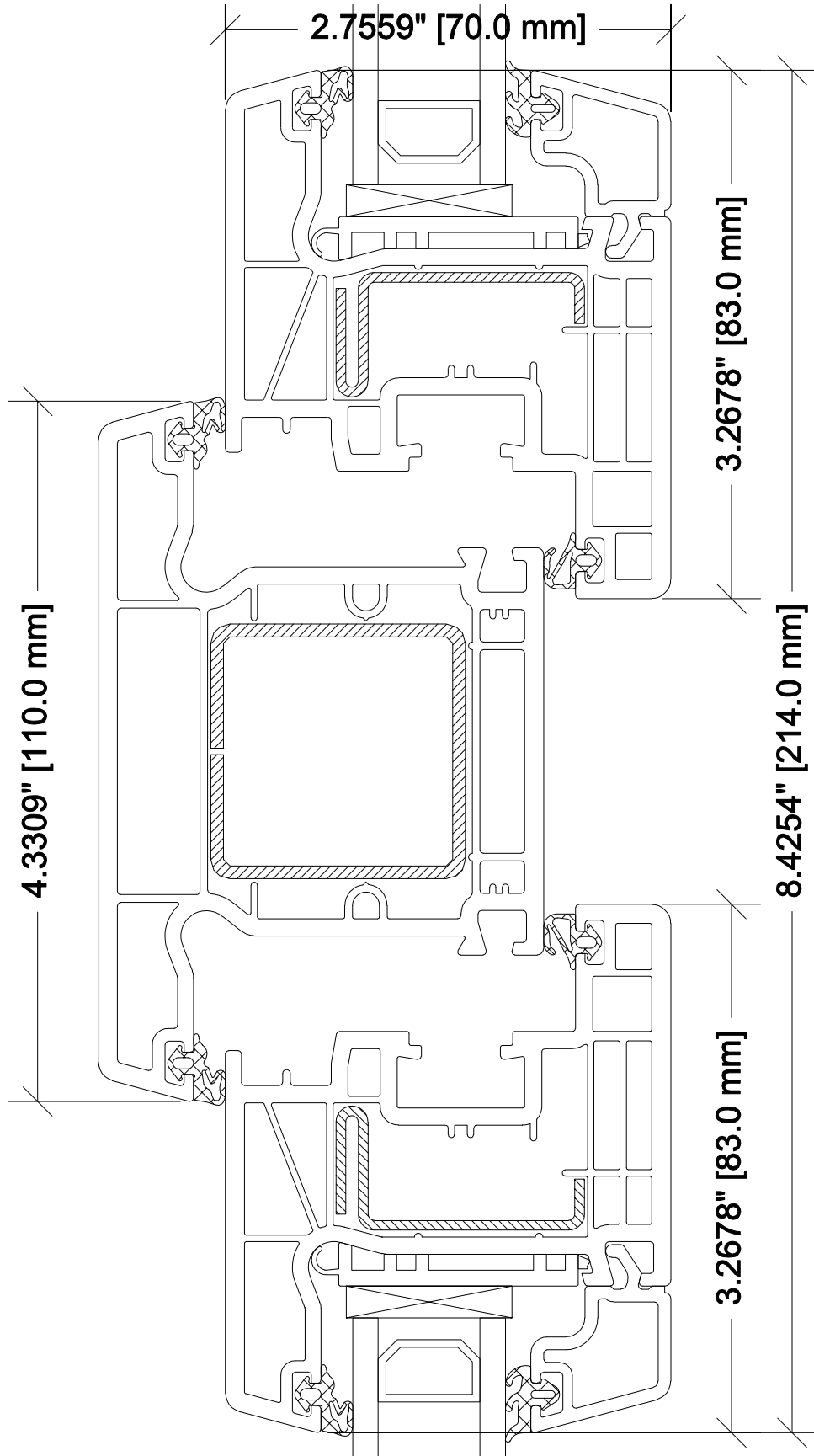
DATE: 11/15/2010

DWG BY: PS

JOB: TW15V

DWG: 40

EXTERIOR



INTERIOR

TradeWind DISTRIBUTION



FINESTRA

TW15-V WINDOWS AND DOORS
POST 110 / SASH 83

PLAN SECTION @ MULLION POST

SCALE: FULL

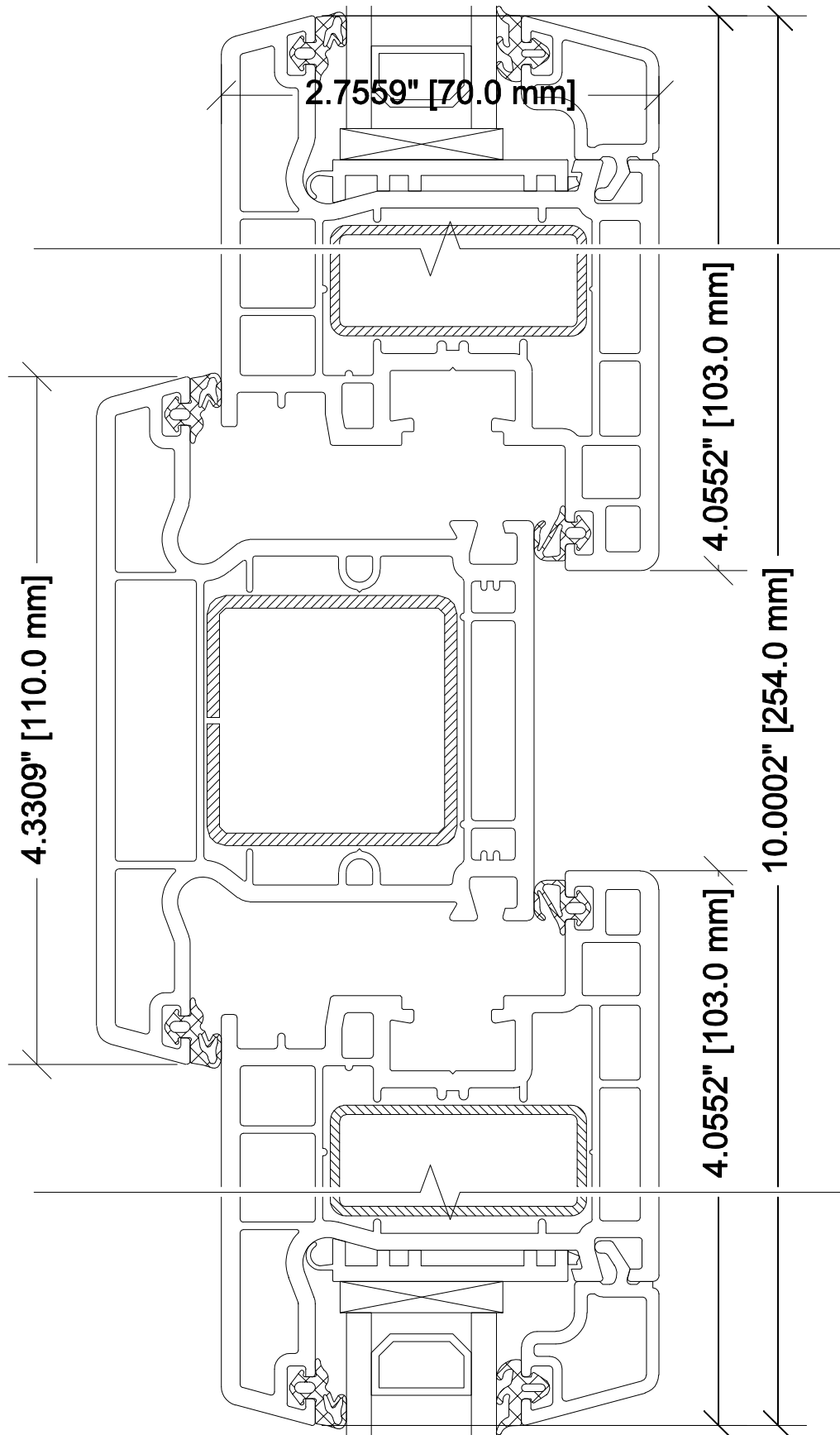
DATE: 11/15/2010

DWG BY: PS

JOB: TW15V

DWG: 41

EXTERIOR



INTERIOR

TradeWind DISTRIBUTION



FINESTRA

TW15-V WINDOWS AND DOORS
POST 110 / SASH 103

PLAN SECTION @ MULLION POST

SCALE: FULL

DATE: 11/15/2010

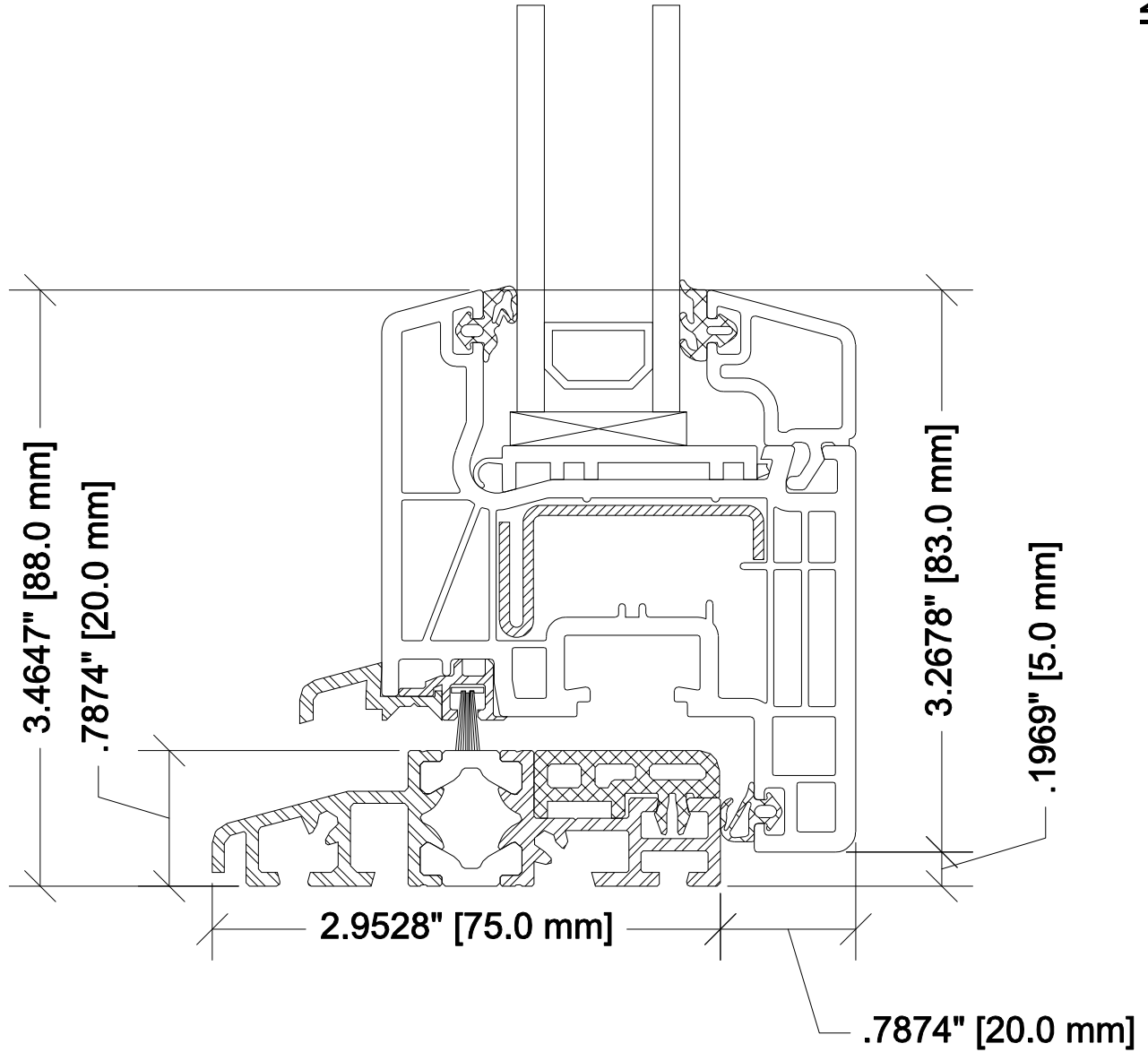
DWG BY: PS

JOB: TW15V

DWG: 42

EXTERIOR

INTERIOR



TradeWind DISTRIBUTION



TW15-V WINDOWS AND DOORS
SILL / SASH 83

JOB: TW15V

VERT SECTION @ SILL

DWG: 43

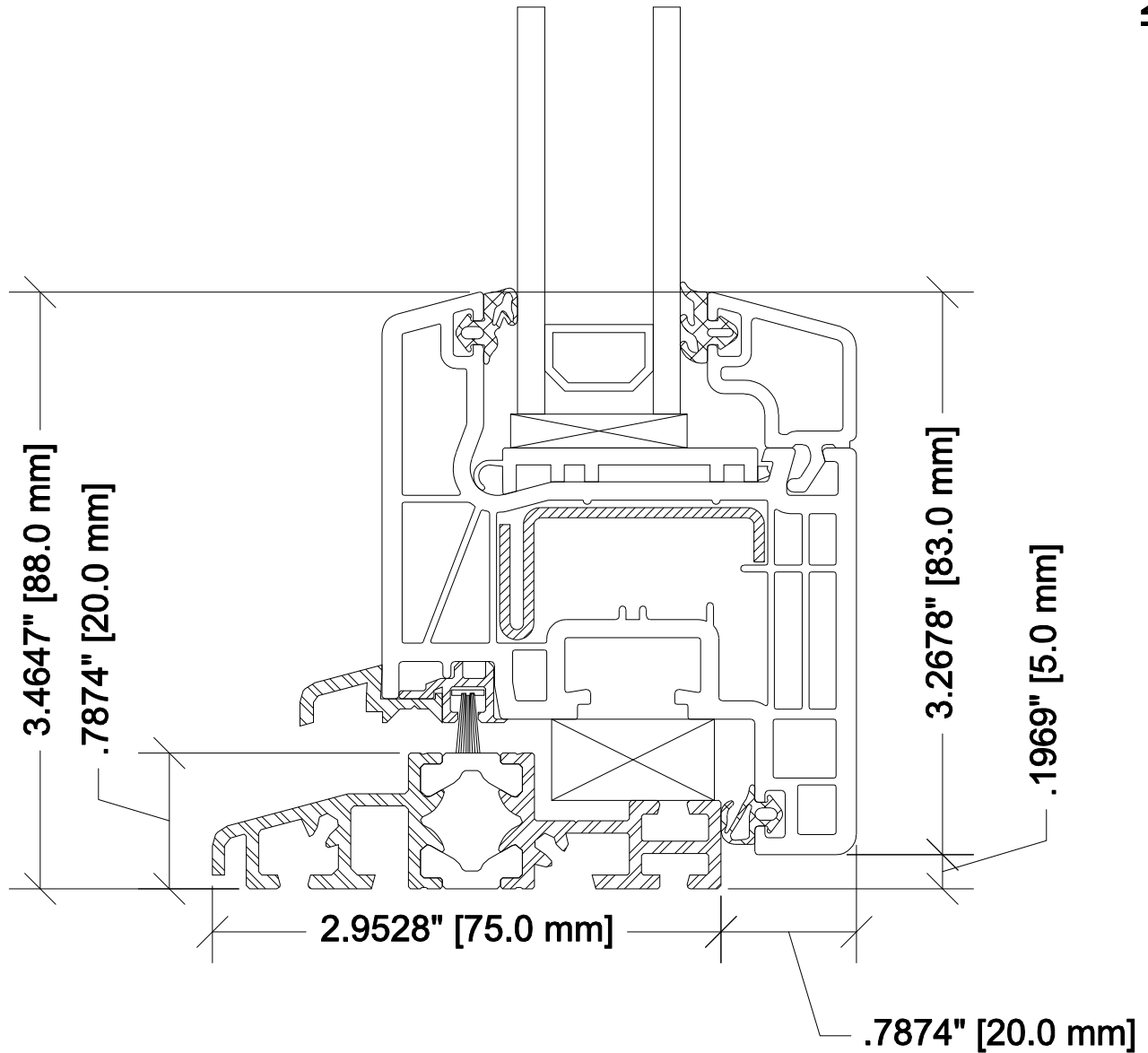
SCALE: FULL

DATE: 11/15/2010

DWG BY: PS

EXTERIOR

INTERIOR



TradeWind DISTRIBUTION



TW15-V WINDOWS AND DOORS
SILL / SASH 83 FIXED

JOB: TW15V

VERT SECTION @ SILL

DWG: 44

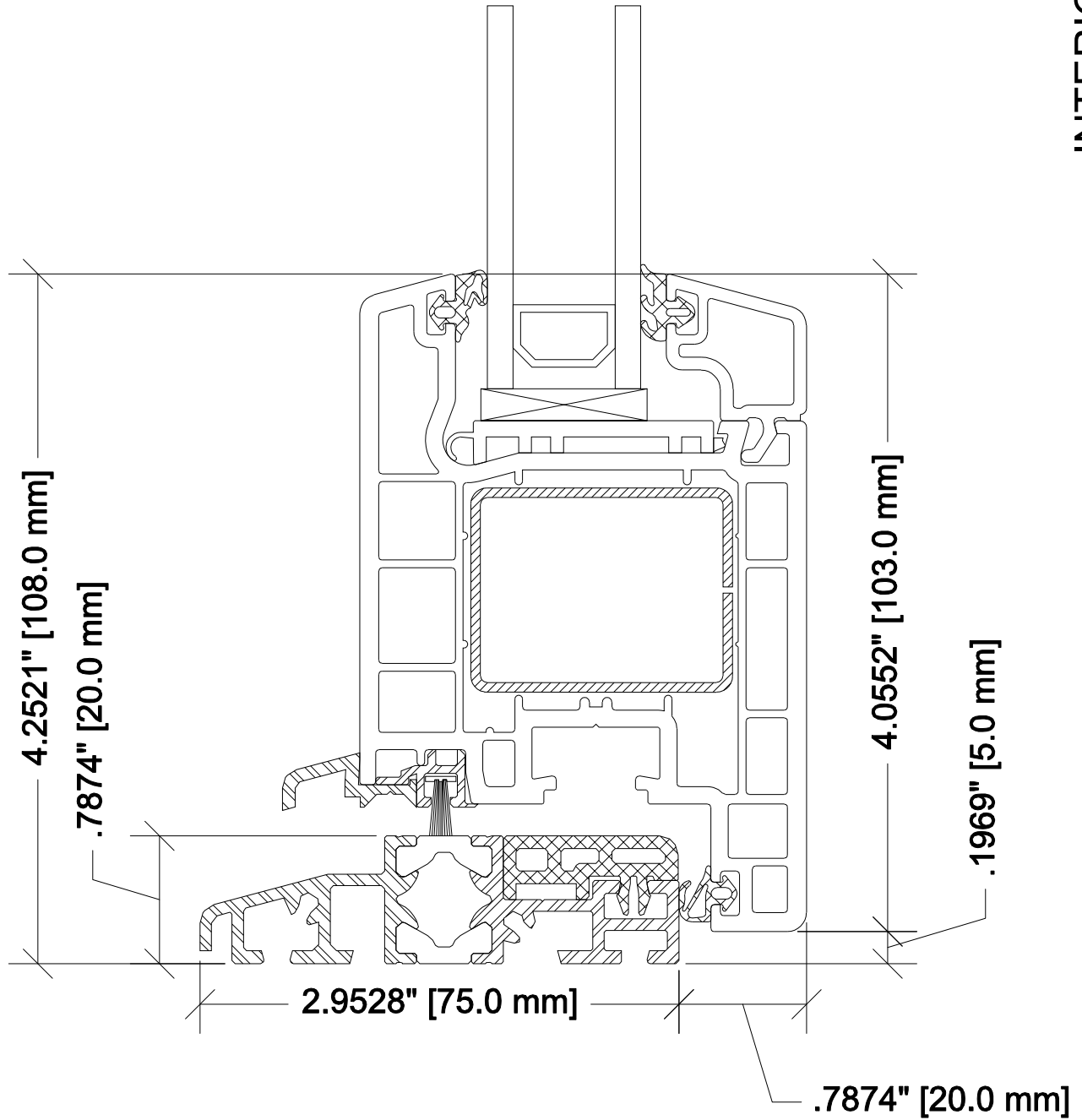
SCALE: FULL

DATE: 11/15/2010

DWG BY: PS

EXTERIOR

INTERIOR



TradeWind DISTRIBUTION



TW15-V WINDOWS AND DOORS
SILL / SASH 103

JOB: TW15V

VERT SECTION @ SILL

DWG: 45

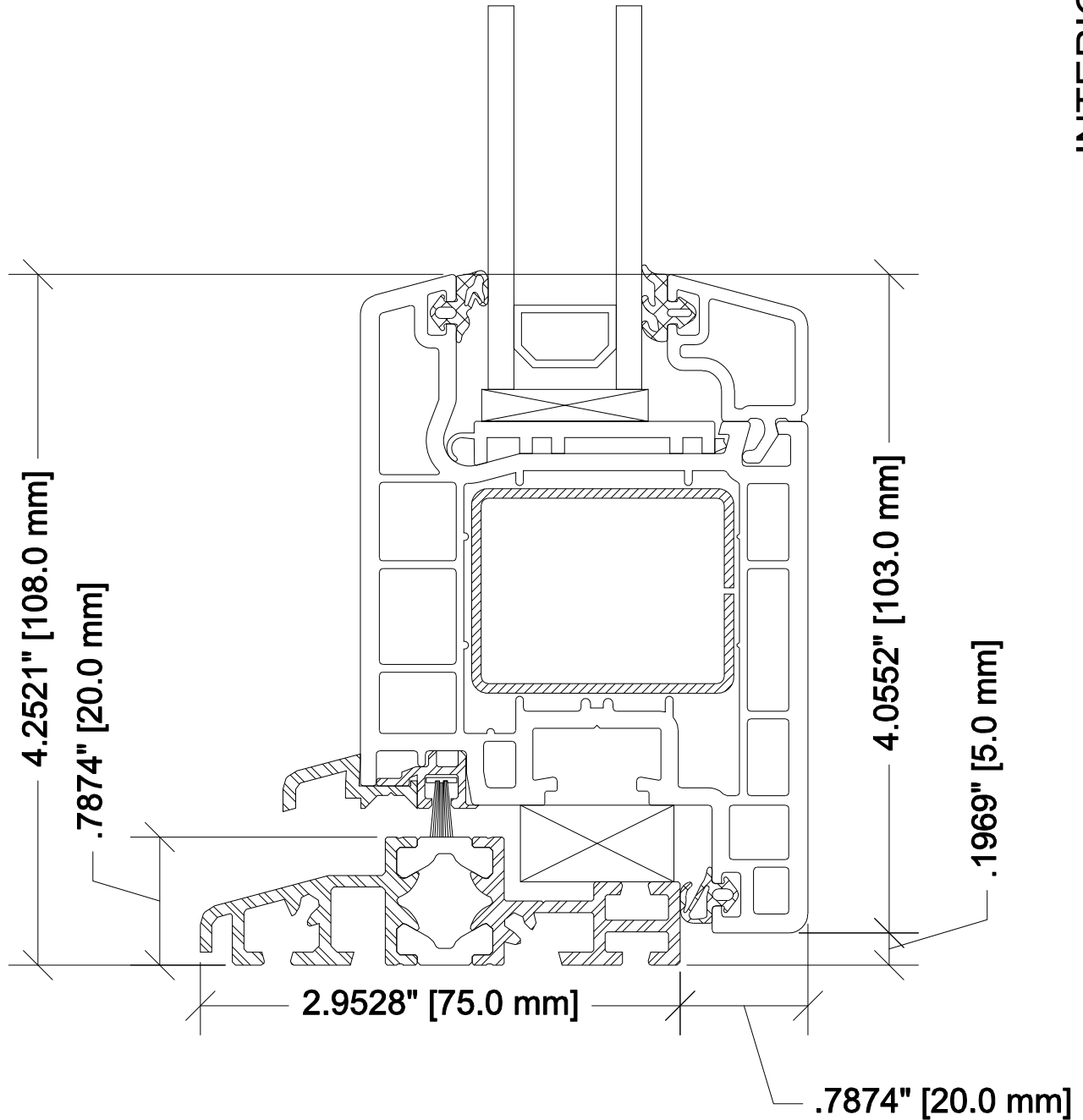
SCALE: FULL

DATE: 11/15/2010

DWG BY: PS

EXTERIOR

INTERIOR



TradeWind DISTRIBUTION



TW15-V WINDOWS AND DOORS
SILL / SASH 103 FIXED

JOB: TW15V

VERT SECTION @ SILL

DWG: 46

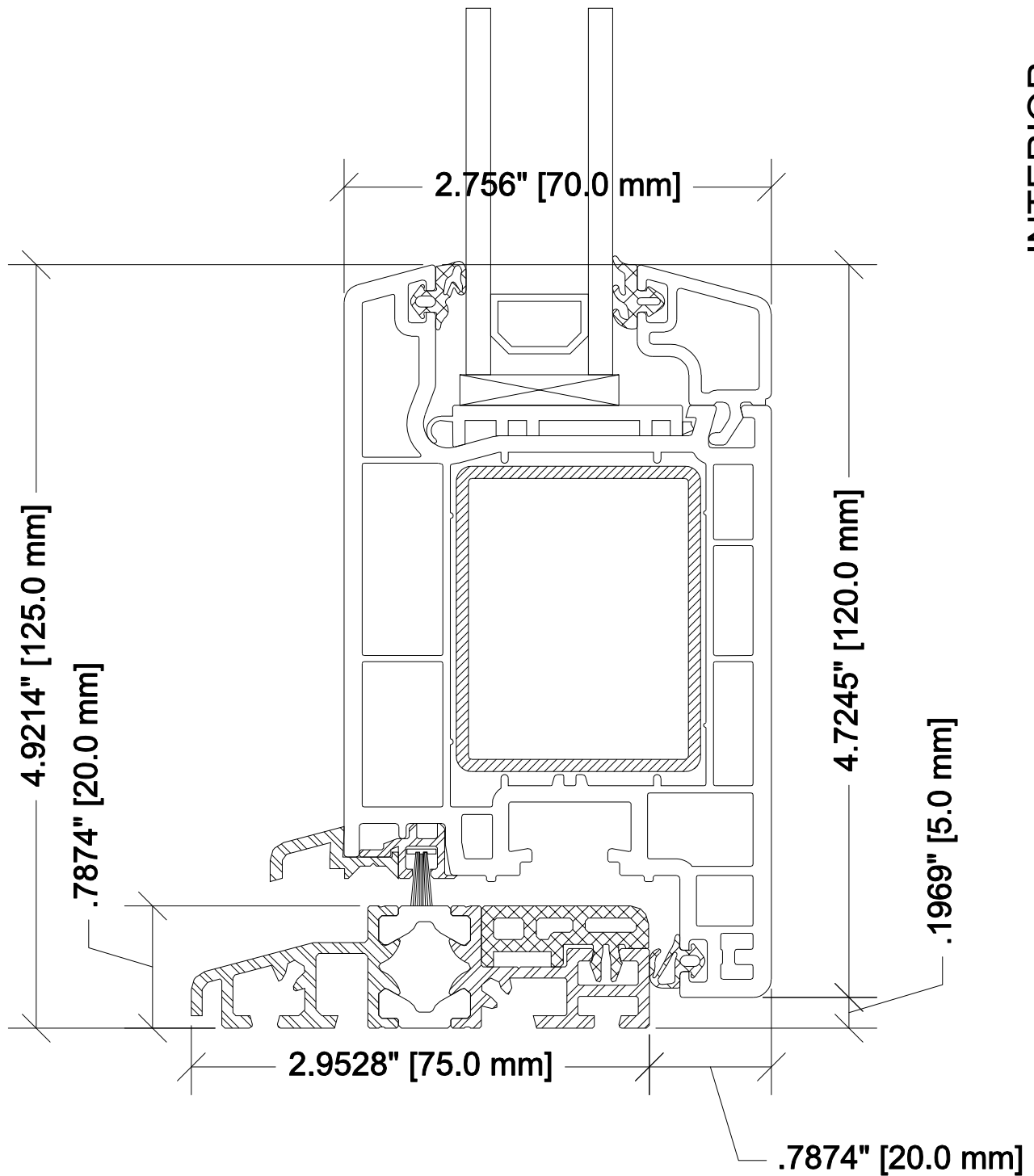
SCALE: FULL

DATE: 11/15/2010

DWG BY: PS

EXTERIOR

INTERIOR



TradeWind DISTRIBUTION



TW15-V WINDOWS AND DOORS
SILL / SASH 120

JOB: TW15V

VERT SECTION @ SILL

DWG: 47

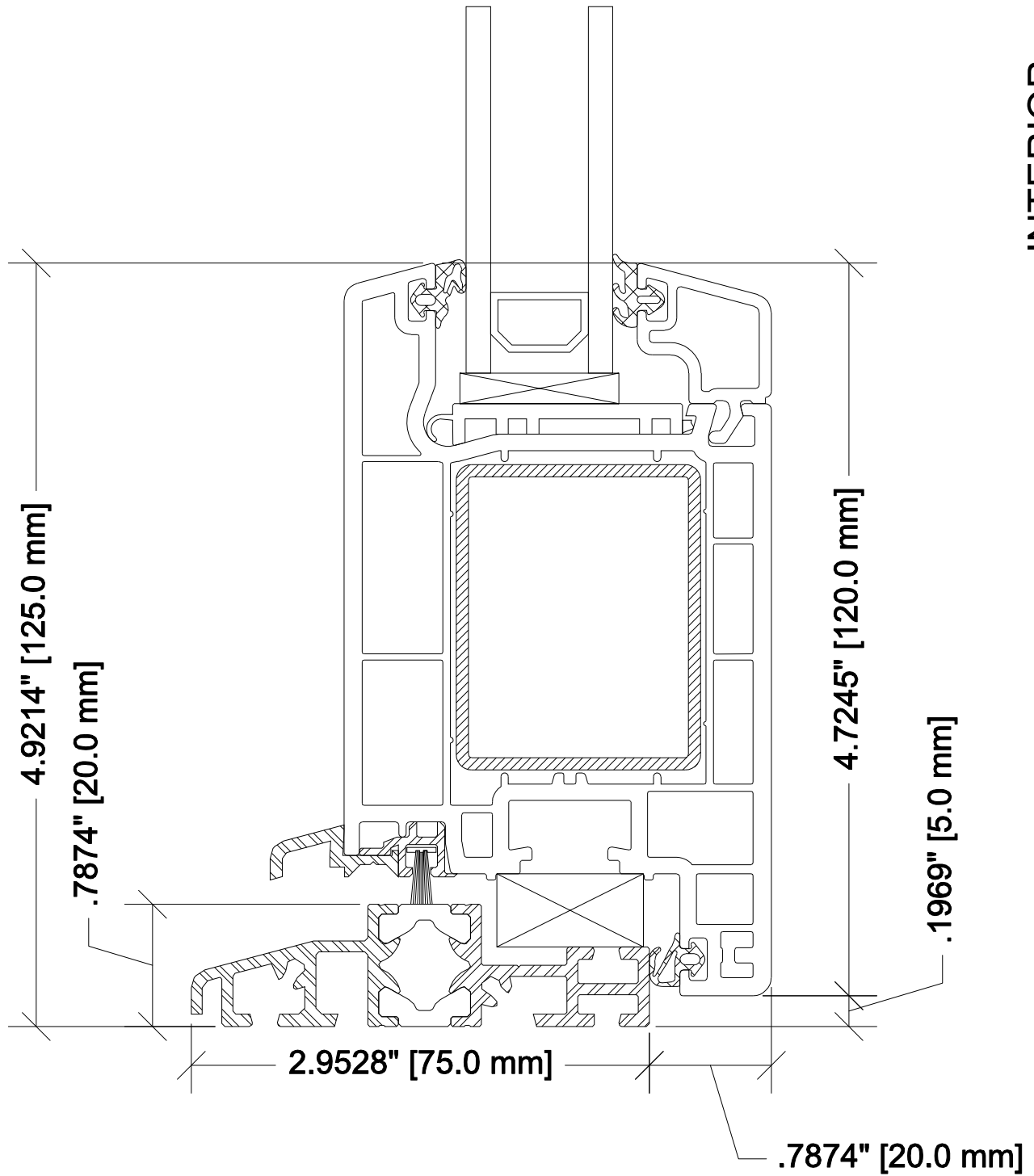
SCALE: FULL

DATE: 11/15/2010

DWG BY: PS

EXTERIOR

INTERIOR



TradeWind DISTRIBUTION



TW15-V WINDOWS AND DOORS
SILL / SASH 120 FIXED

JOB: TW15V

VERT SECTION @ SILL

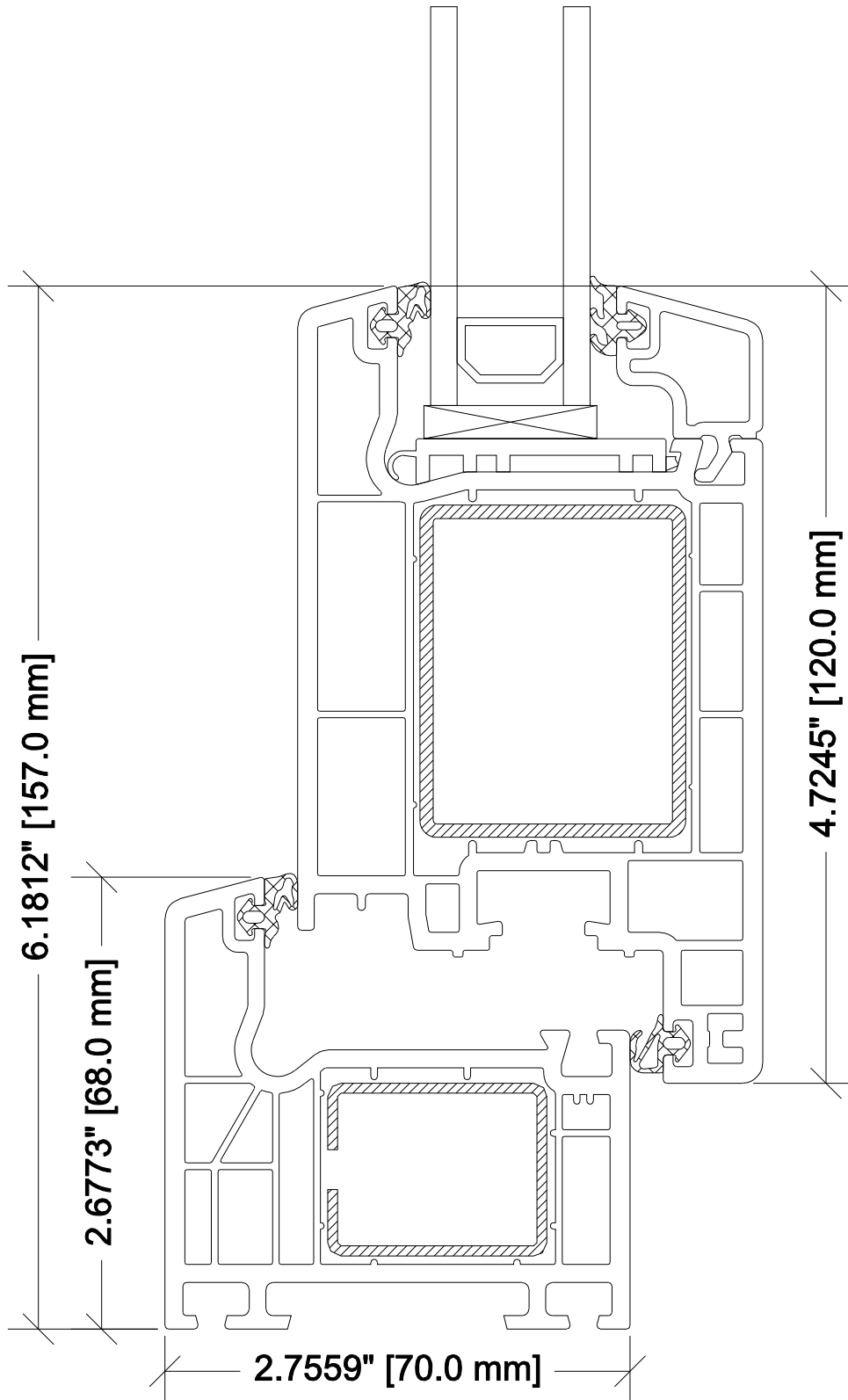
DWG: 48

SCALE: FULL

DATE: 11/15/2010

DWG BY: PS

EXTERIOR



INTERIOR

TradeWind DISTRIBUTION



TW15-V WINDOWS AND DOORS
FRAME 68 / SASH 120

JOB: TW15V

PLAN SECTION @ FRAME

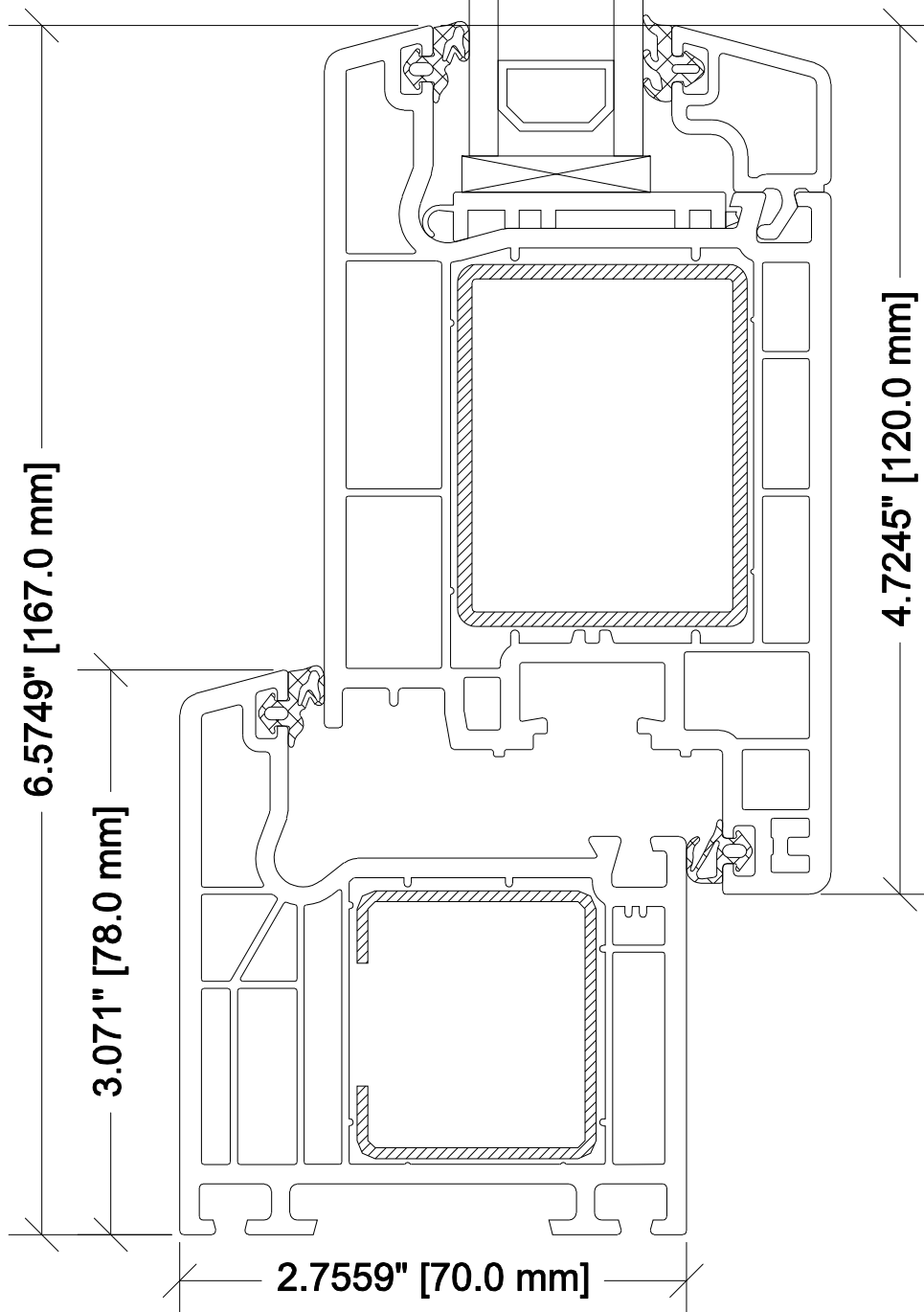
DWG: 49

SCALE: FULL

DATE: 11/15/2010

DWG BY: PS

EXTERIOR



INTERIOR

TradeWind DISTRIBUTION



TW15-V WINDOWS AND DOORS
FRAME 78 / SASH 120

JOB: TW15V

PLAN SECTION @ FRAME

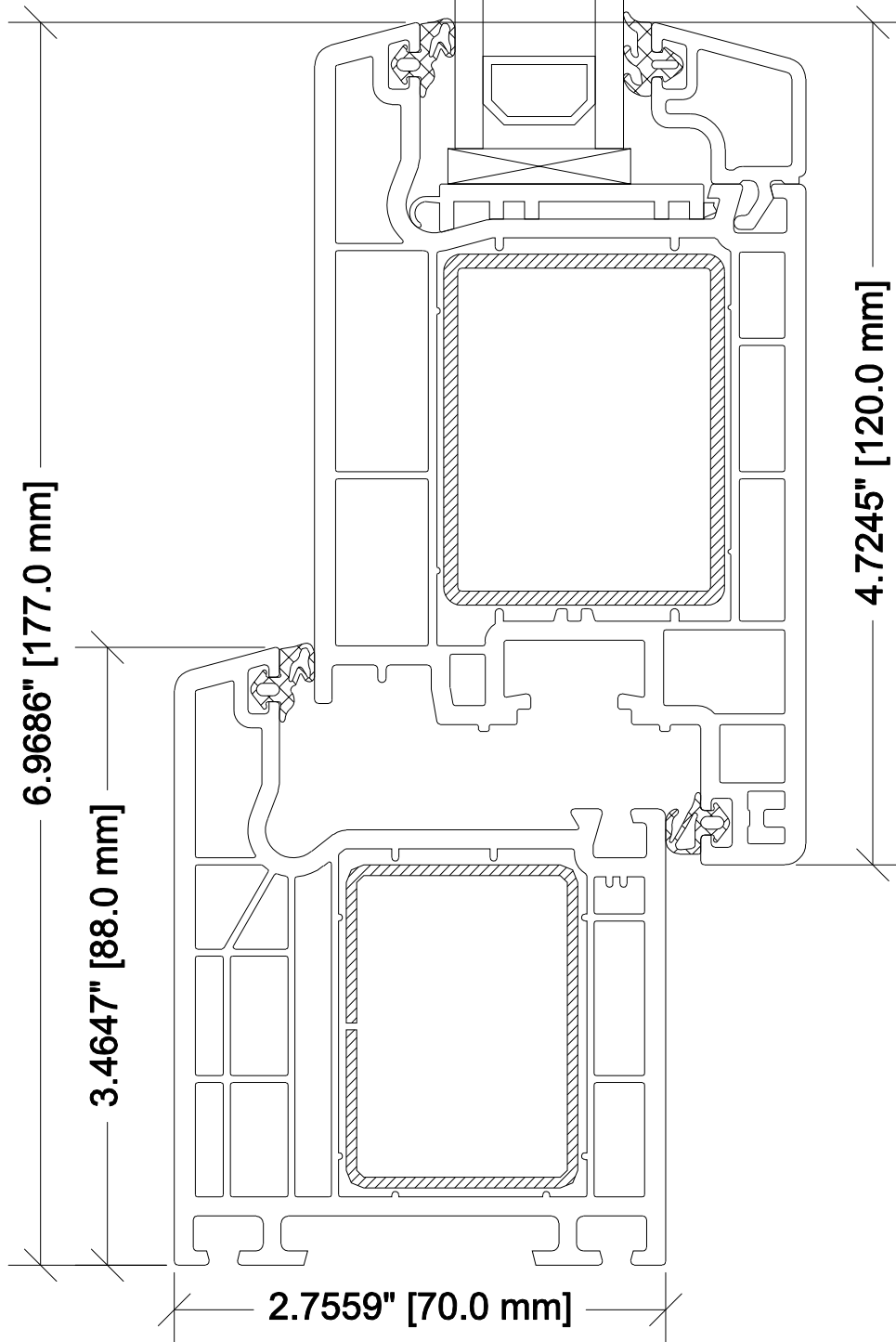
DWG: 50

SCALE: FULL

DATE: 11/15/2010

DWG BY: PS

EXTERIOR



INTERIOR

TradeWind DISTRIBUTION



TW15-V WINDOWS AND DOORS
FRAME 88 / SASH 120

JOB: TW15V

PLAN SECTION @ FRAME

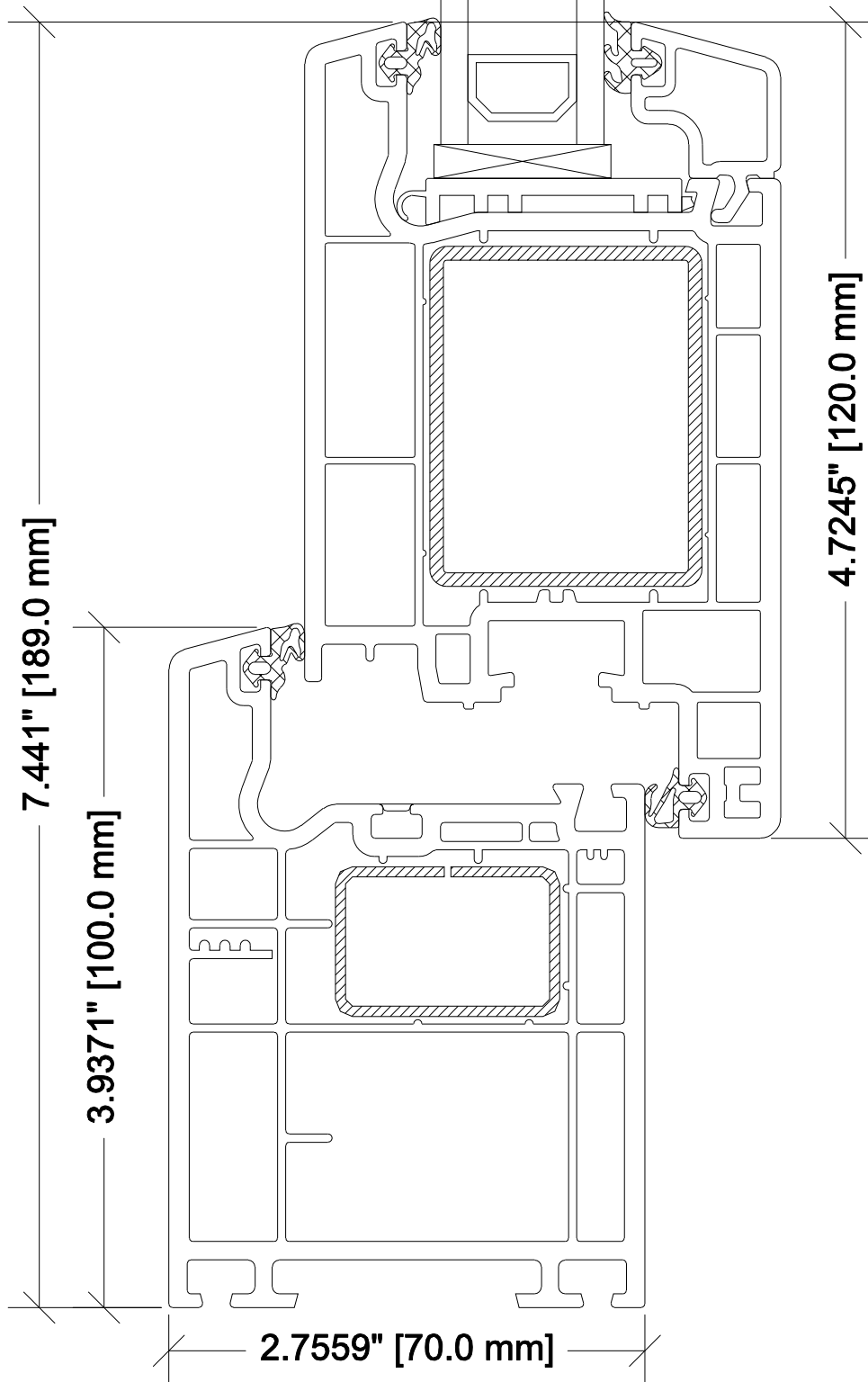
DWG: 51

SCALE: FULL

DATE: 11/15/2010

DWG BY: PS

EXTERIOR



INTERIOR

TradeWind DISTRIBUTION



TW15-V WINDOWS AND DOORS
FRAME 100 / SASH 120

JOB: TW15V

PLAN SECTION @ FRAME

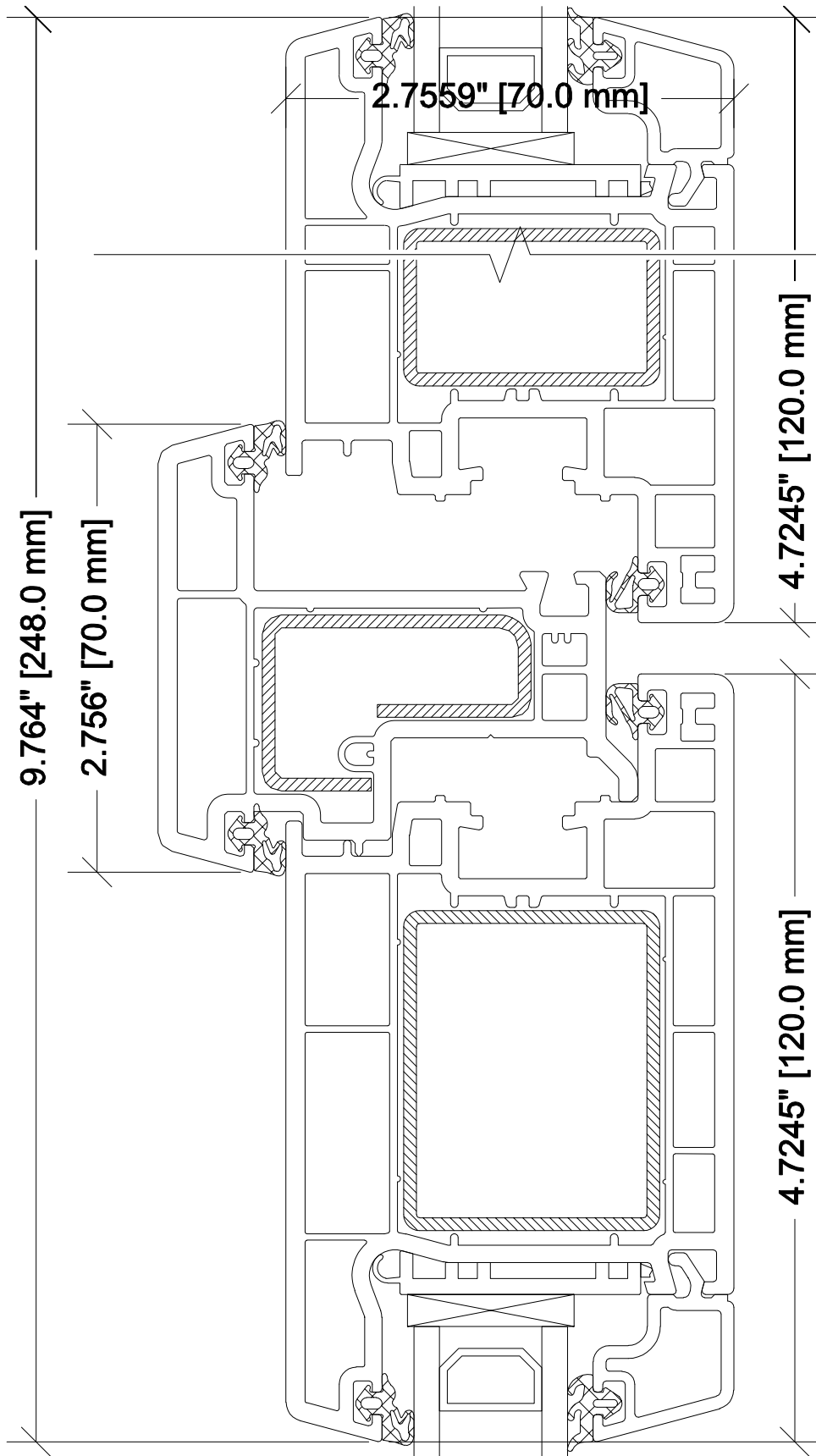
DWG: 52

SCALE: FULL

DATE: 11/15/2010

DWG BY: PS

EXTERIOR



TradeWind DISTRIBUTION



TW15-V WINDOWS AND DOORS
MULLION 70 / SASH 120

PLAN SECTION @ MULLION

SCALE: FULL

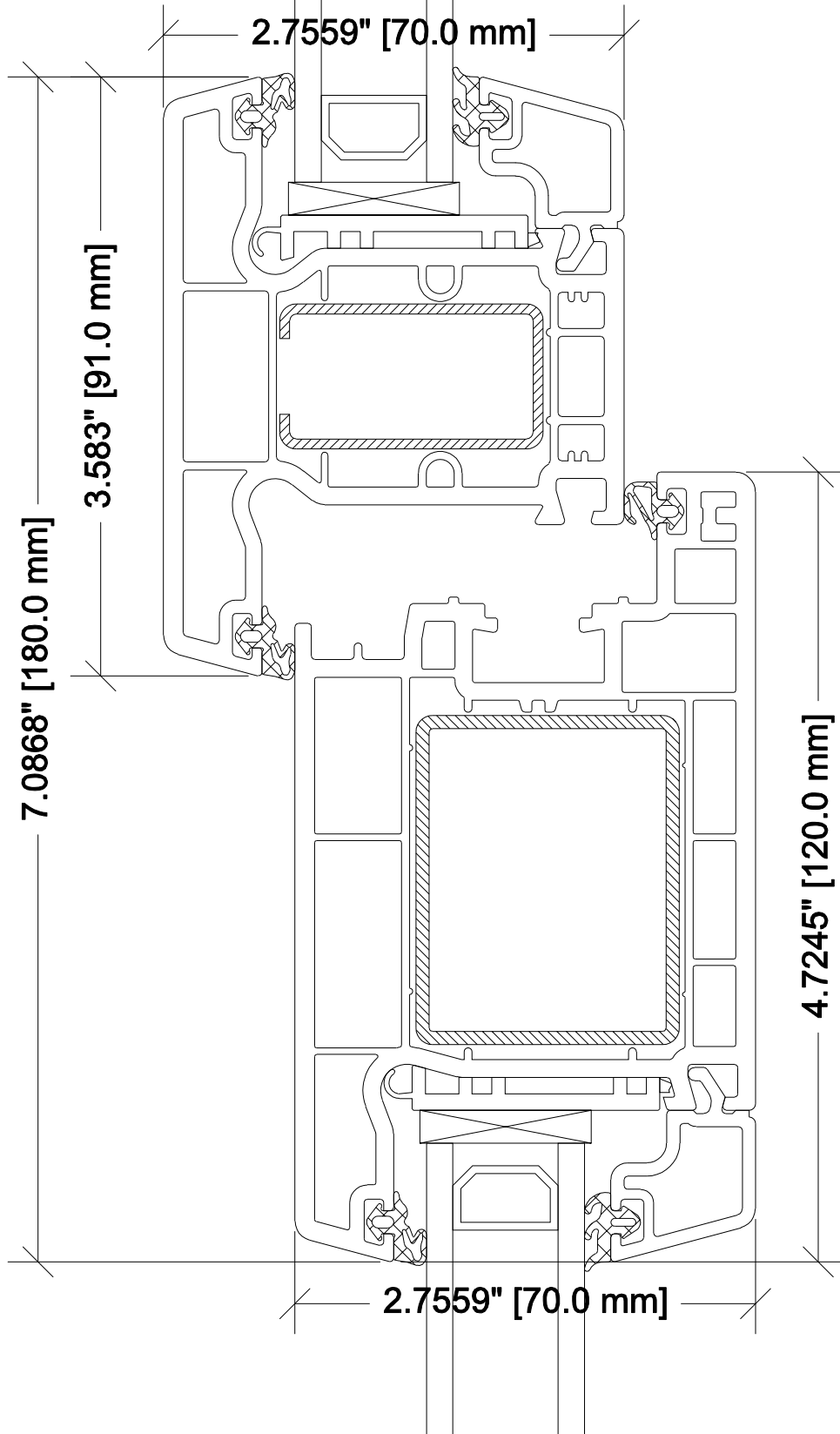
DATE: 11/15/2010

DWG BY: PS

JOB: TW15V

DWG: 53

EXTERIOR



TradeWind DISTRIBUTION



FINESTRA

TW15-V WINDOWS AND DOORS
POST 91 / SASH 120

PLAN SECTION @ MULLION POST

SCALE: FULL

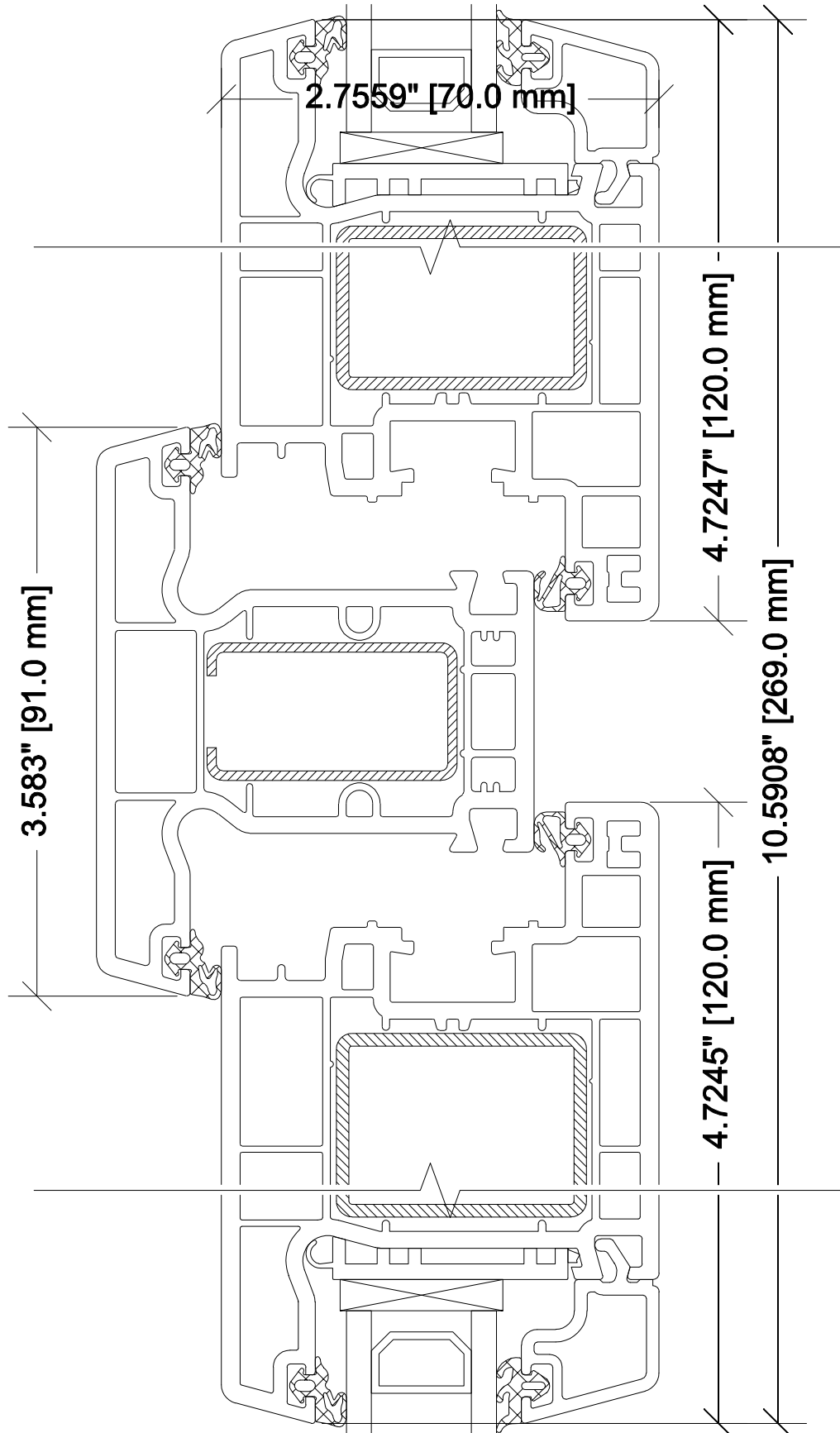
DATE: 11/15/2010

DWG BY: PS

JOB: TW15V

DWG: 54

EXTERIOR



TradeWind DISTRIBUTION



TW15-V WINDOWS AND DOORS
POST 91 / SASH 120

PLAN SECTION @ MULLION POST

SCALE: FULL

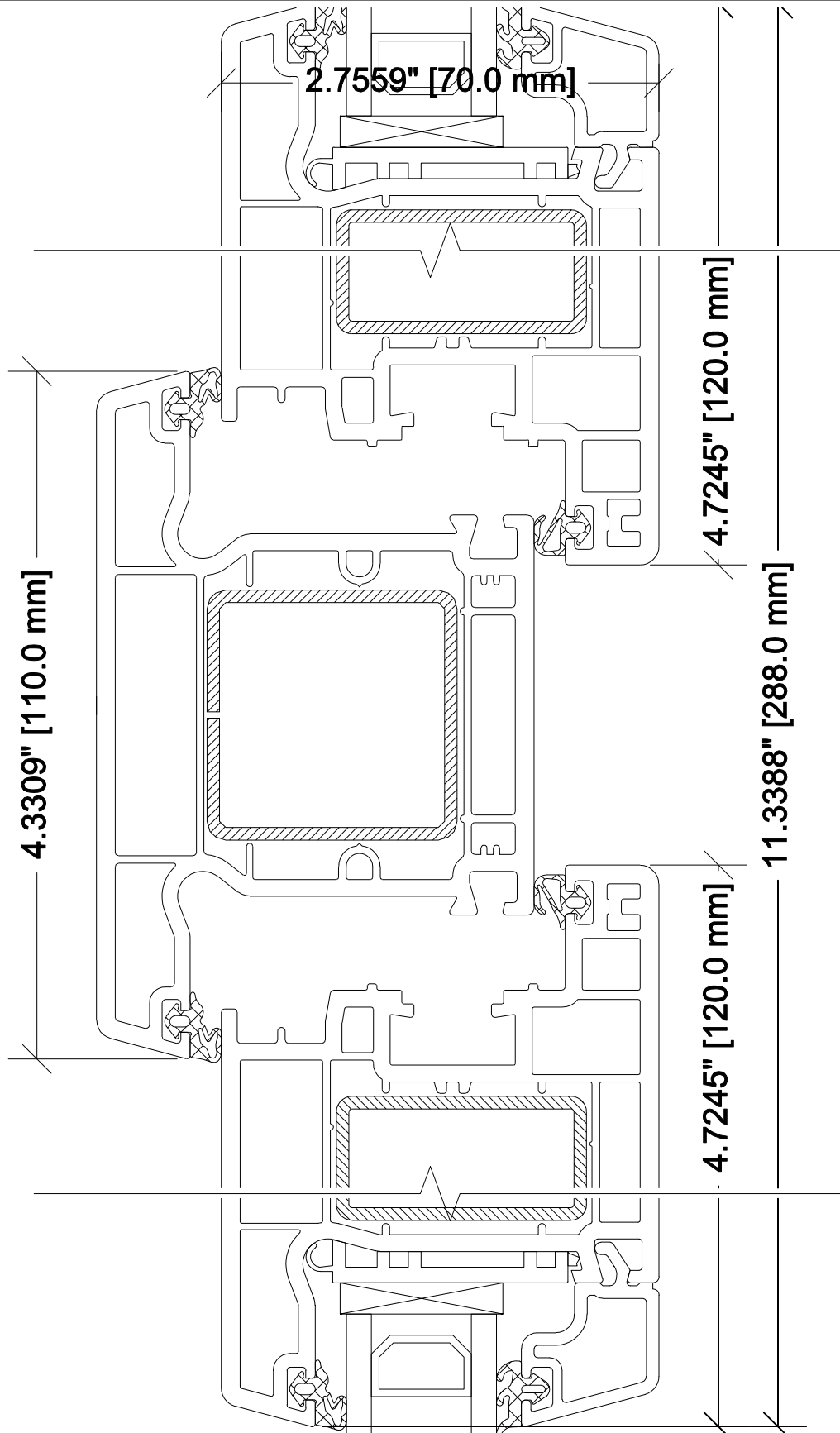
DATE: 11/15/2010

DWG BY: PS

JOB: TW15V

DWG: 55

EXTERIOR



INTERIOR

TradeWind DISTRIBUTION



FINESTRA

TW15-V WINDOWS AND DOORS
POST 110 / SASH 120

PLAN SECTION @ MULLION POST

SCALE: FULL

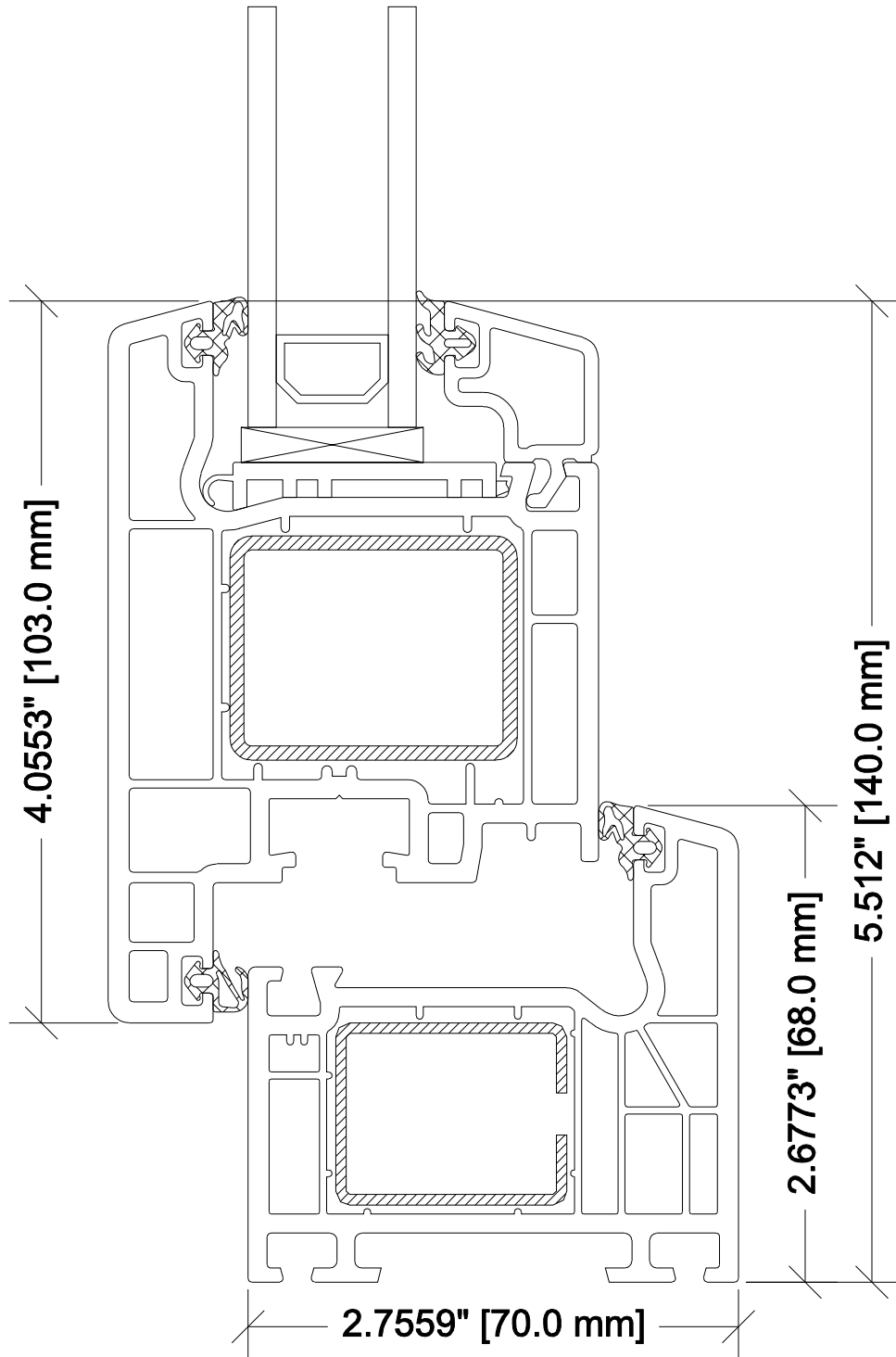
DATE: 11/15/2010

DWG BY: PS

JOB: TW15V

DWG: 56

EXTERIOR



INTERIOR

TradeWind DISTRIBUTION



TW15-V WINDOWS AND DOORS
FRAME 68 / SASH 103 OUTSW

JOB: TW15V

PLAN SECTION @ FRAME

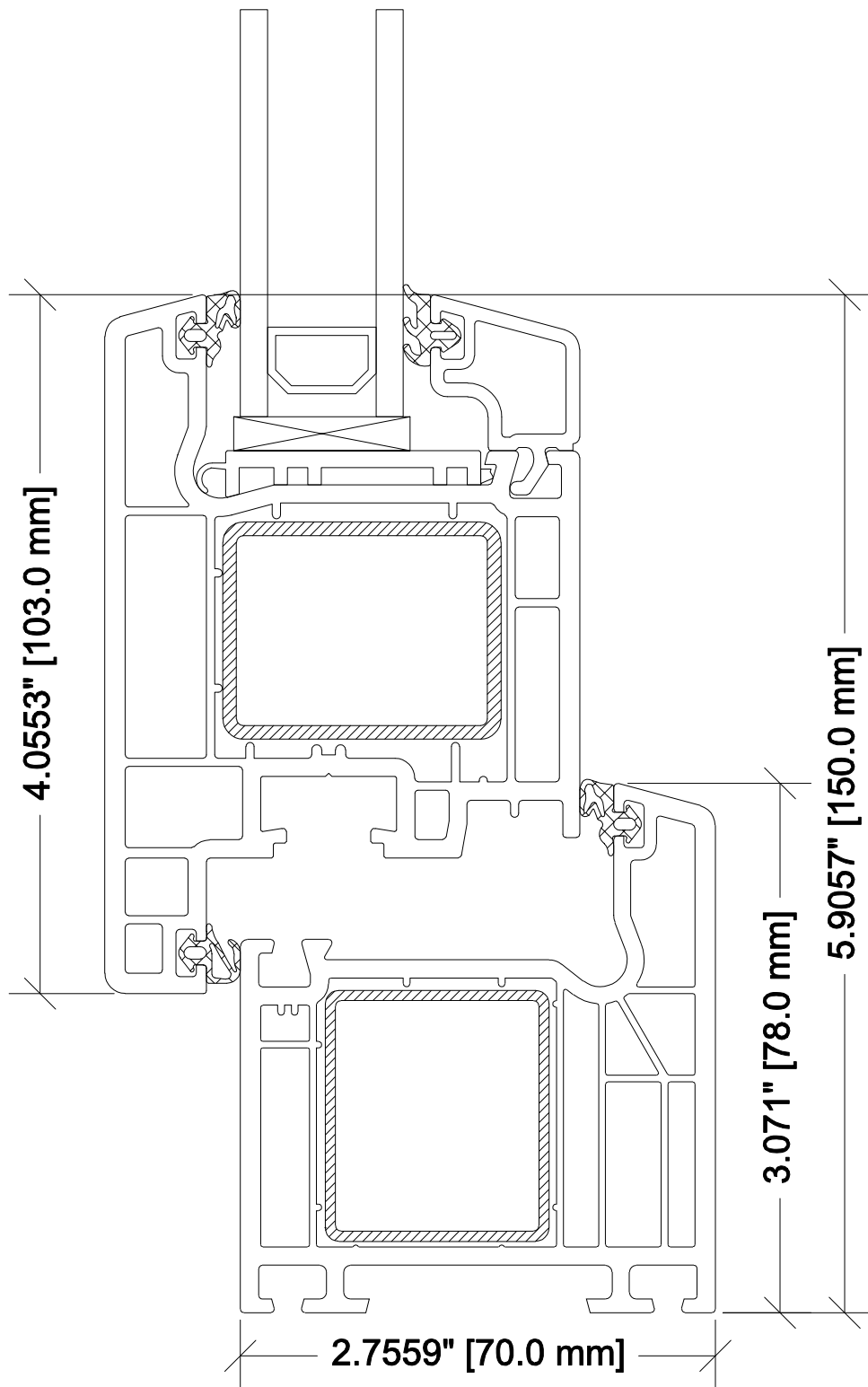
DWG: 57

SCALE: FULL

DATE: 11/15/2010

DWG BY: PS

EXTERIOR



INTERIOR

TradeWind DISTRIBUTION



TW15-V WINDOWS AND DOORS
FRAME 78 / SASH 103 OUTSW

JOB: TW15V

PLAN SECTION @ FRAME

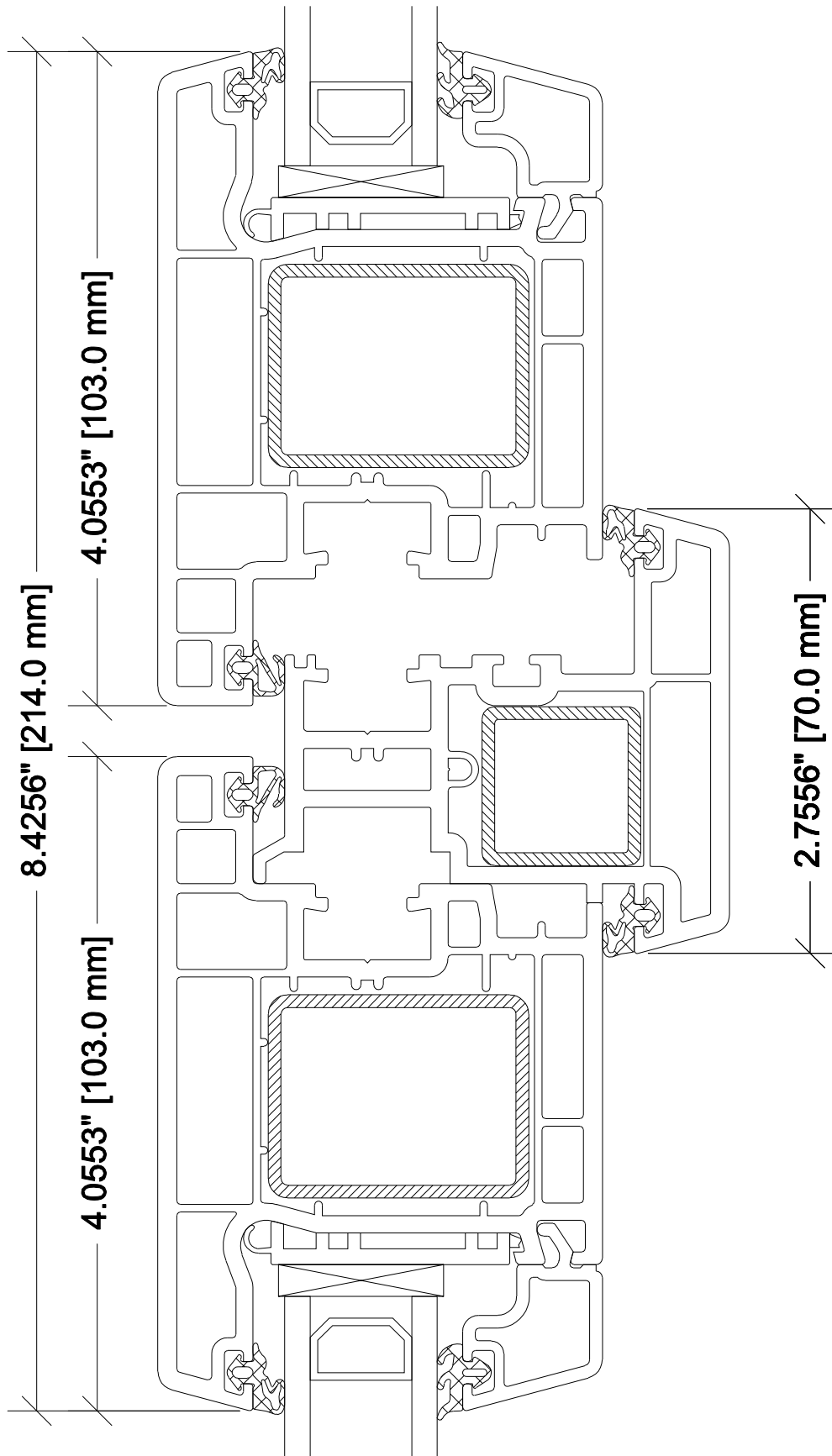
DWG: 58

SCALE: FULL

DATE: 11/15/2010

DWG BY: PS

EXTERIOR



INTERIOR

TradeWind DISTRIBUTION



TW15-V WINDOWS AND DOORS
MULLION 70 / SASH 103 OUTSW

JOB: TW15V

PLAN SECTION @ MULLION

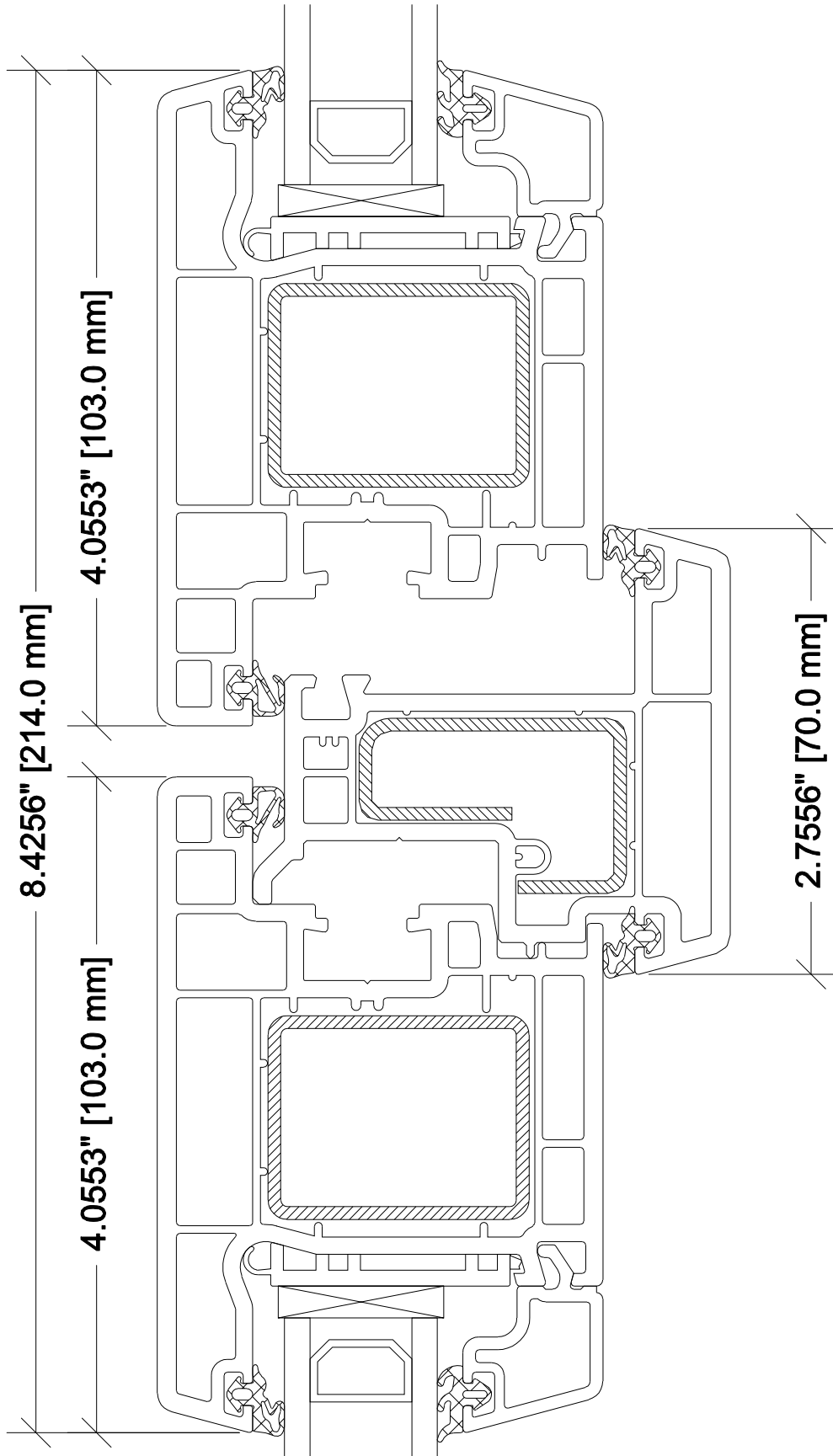
DWG: 59

SCALE: FULL

DATE: 11/15/2010

DWG BY: PS

EXTERIOR



INTERIOR

TradeWind DISTRIBUTION



TW15-V WINDOWS AND DOORS
MULLION 70 / SASH 103 OUTSW

JOB: TW15V

PLAN SECTION @ MULLION

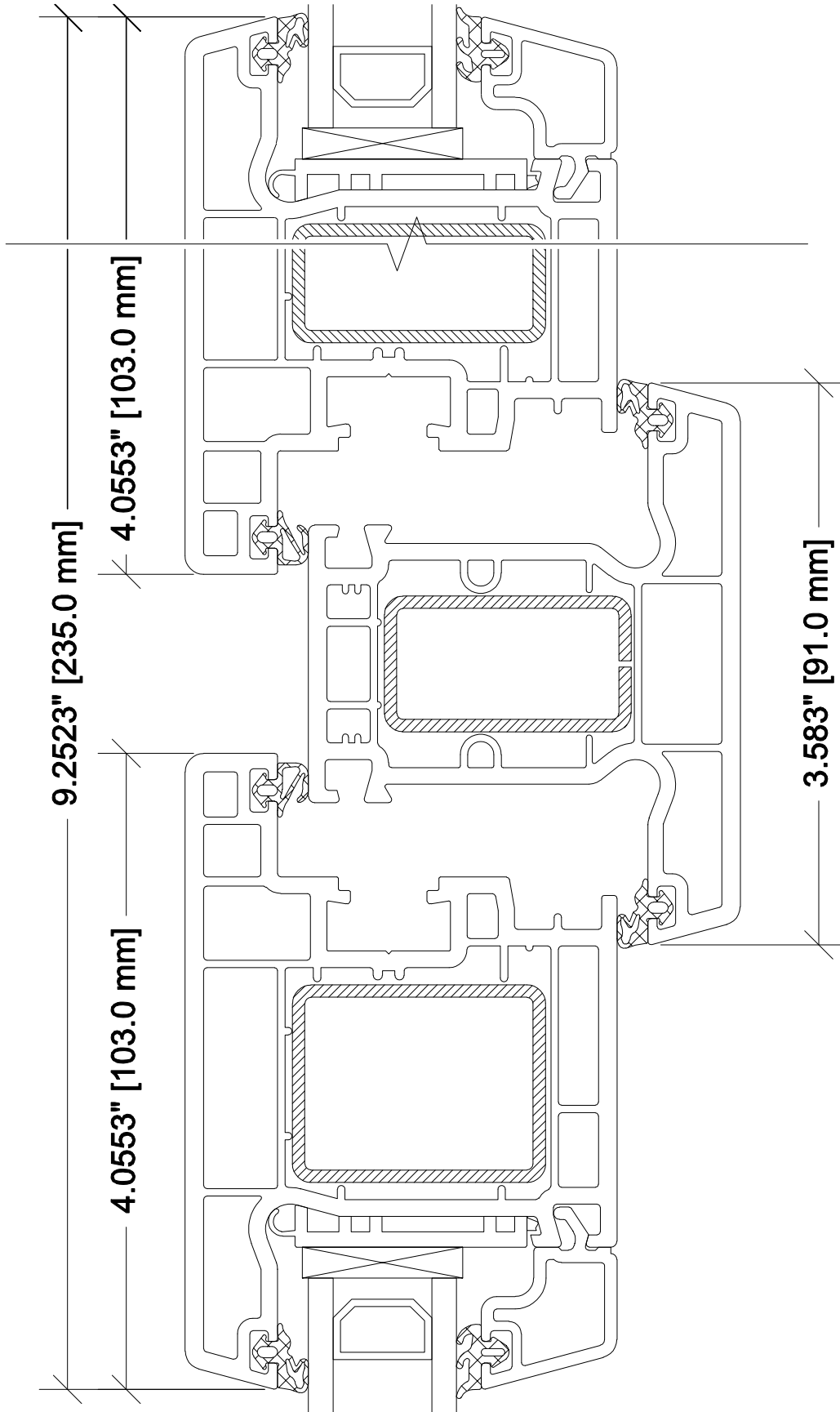
DWG: 60

SCALE: FULL

DATE: 11/15/2010

DWG BY: PS

EXTERIOR



INTERIOR

TradeWind DISTRIBUTION



TW15-V WINDOWS AND DOORS
MULLION 91 / SASH 103 OUTSW

JOB: TW15V

PLAN SECTION @ MULLION

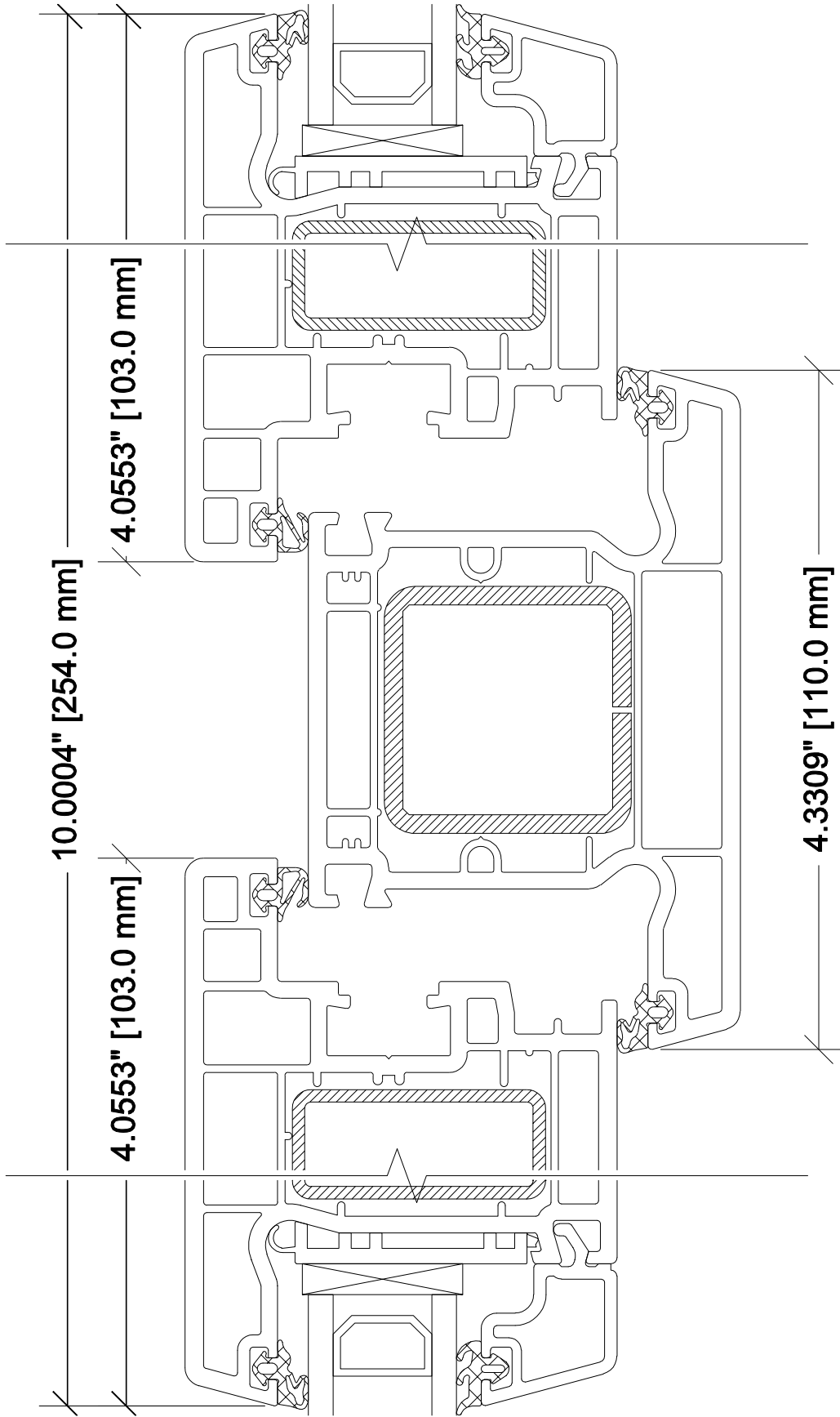
DWG: 61

SCALE: FULL

DATE: 11/15/2010

DWG BY: PS

EXTERIOR



INTERIOR

TradeWind DISTRIBUTION



FINESTRA

TW15-V WINDOWS AND DOORS
POST 110 / SASH 103 OUTSW

PLAN SECTION @ MULLION POST

SCALE: FULL

DATE: 11/15/2010

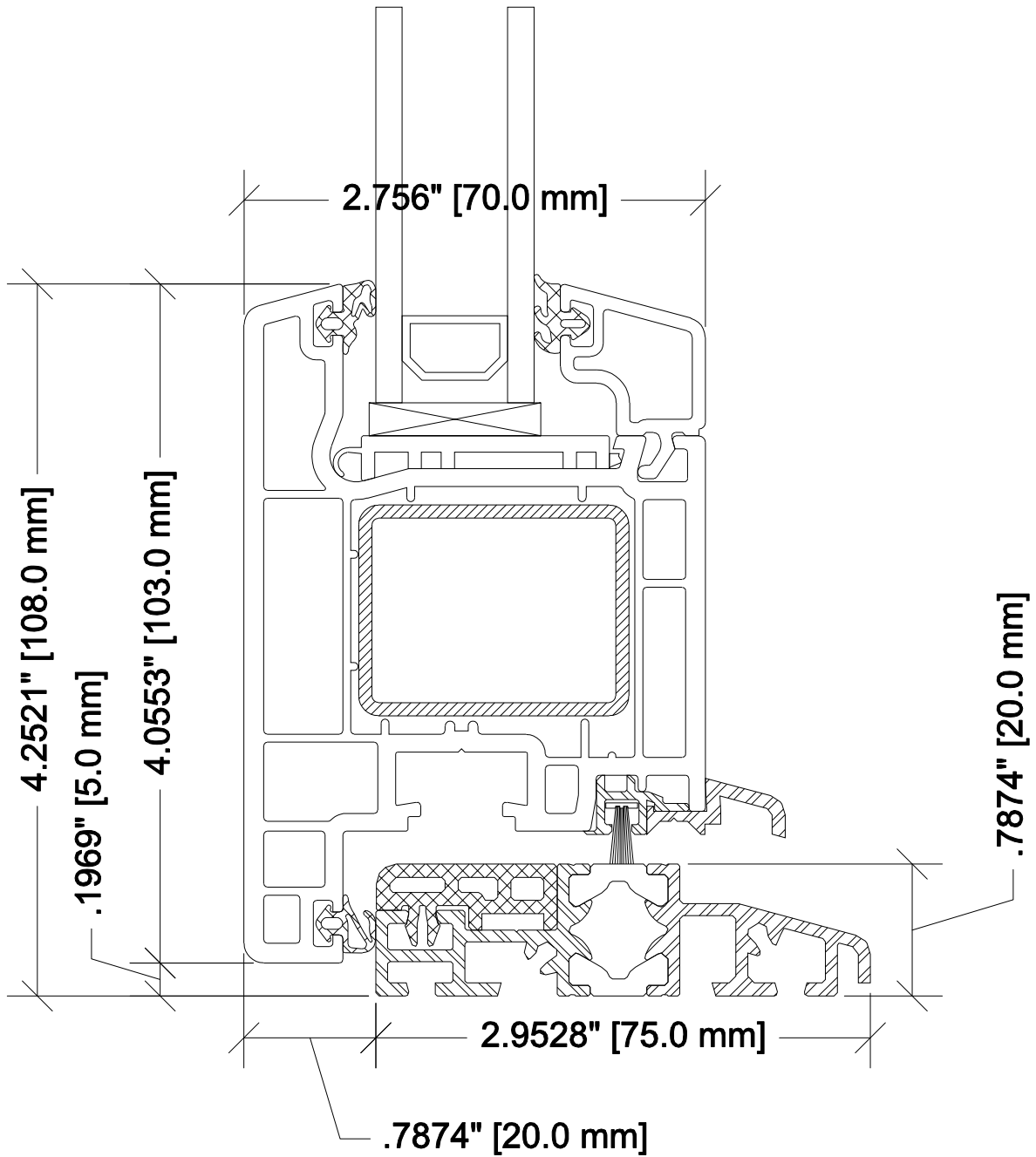
DWG BY: PS

JOB: TW15V

DWG: 62

EXTERIOR

INTERIOR



TradeWind DISTRIBUTION



TW15-V WINDOWS AND DOORS
SILL / SASH 103 OUTSW

JOB: TW15V

VERT SECTION @ SILL

DWG: 63

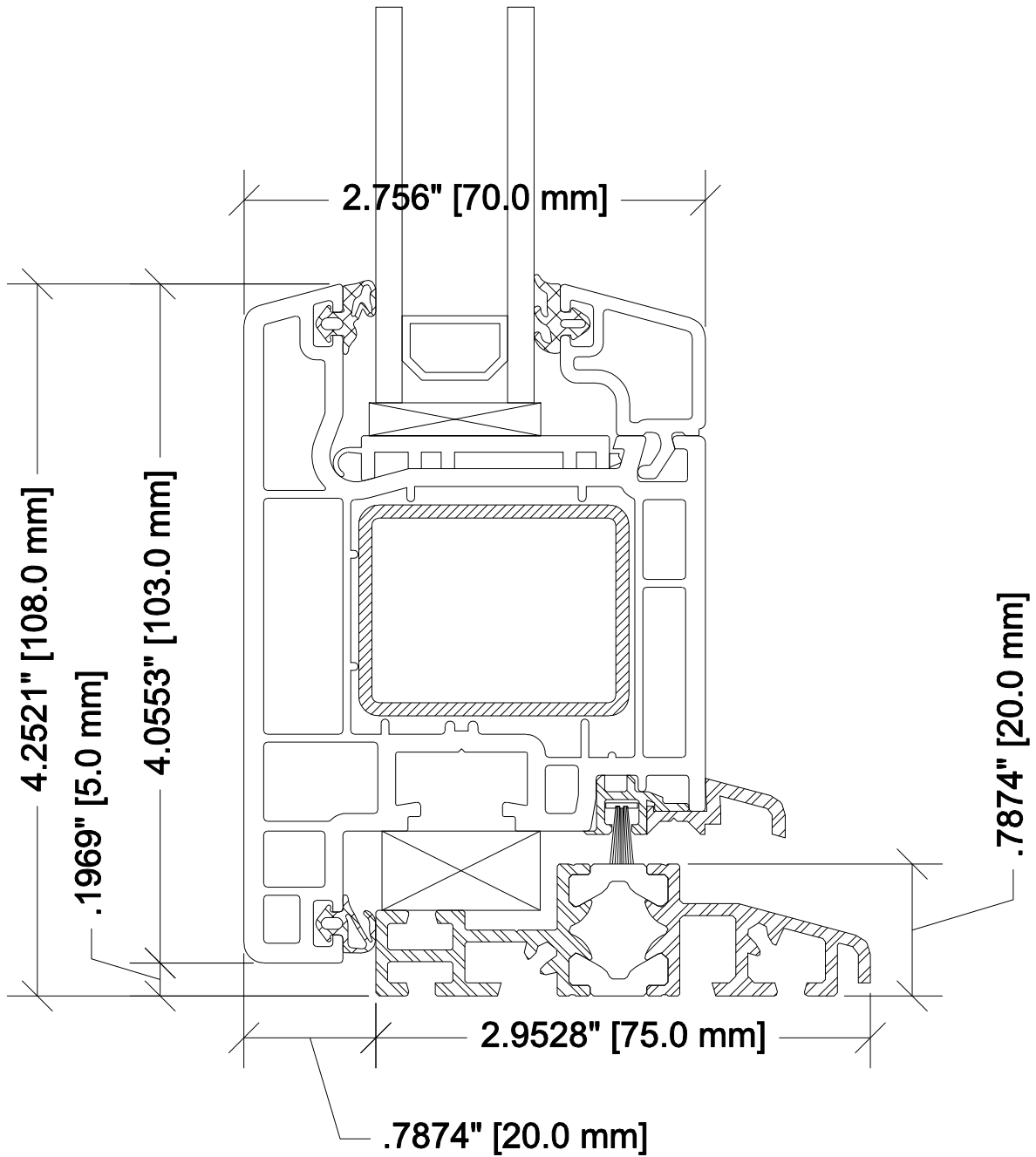
SCALE: FULL

DATE: 11/15/2010

DWG BY: PS

EXTERIOR

INTERIOR



TradeWind DISTRIBUTION



TW15-V WINDOWS AND DOORS
SILL / SASH 103 OUTSW - FIXED

JOB: TW15V

VERT SECTION @ SILL

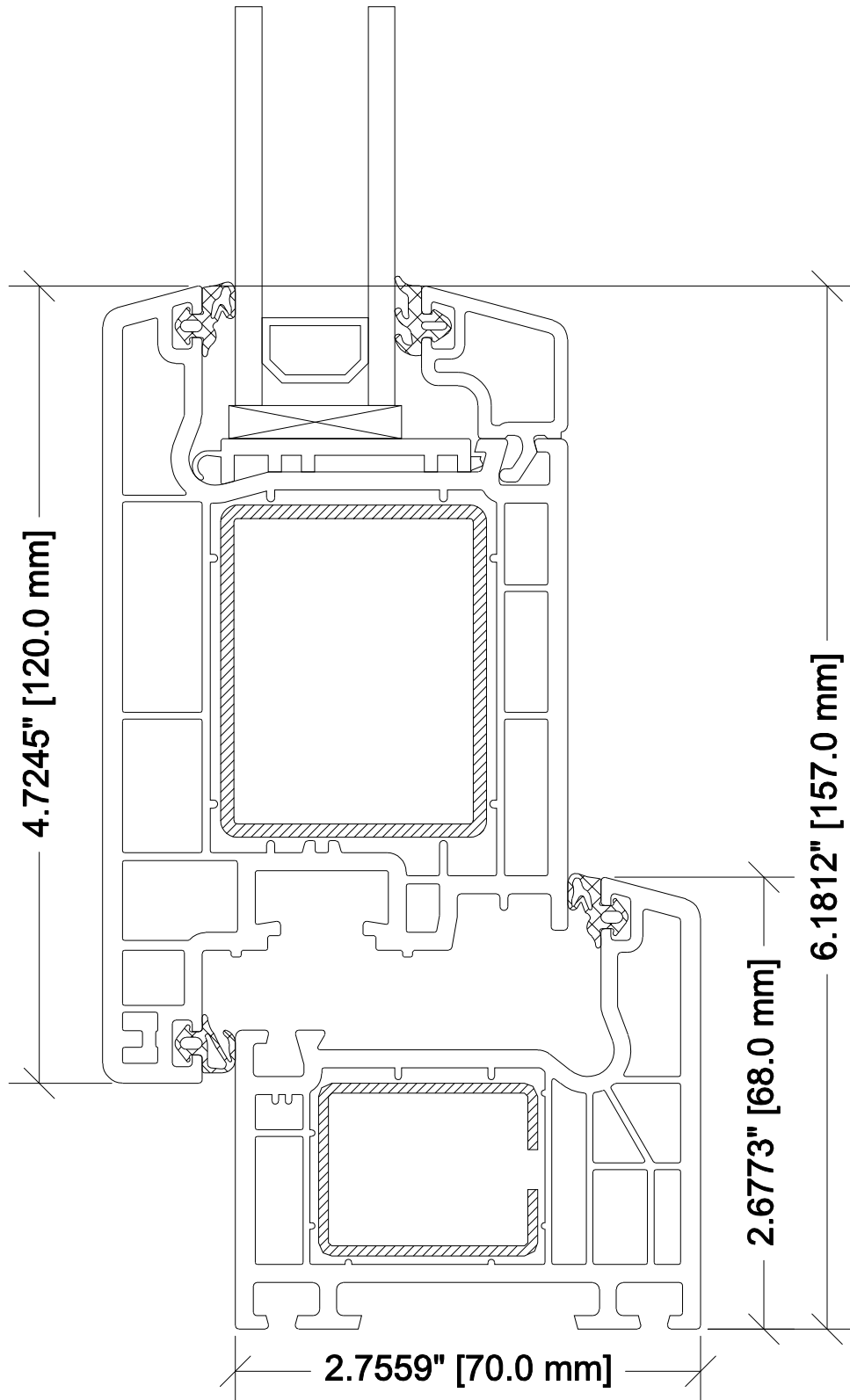
DWG: 64

SCALE: FULL

DATE: 11/15/2010

DWG BY: PS

EXTERIOR



INTERIOR

TradeWind DISTRIBUTION



TW15-V WINDOWS AND DOORS
FRAME 68 / SASH 120 OUTSW

JOB: TW15V

PLAN SECTION @ FRAME

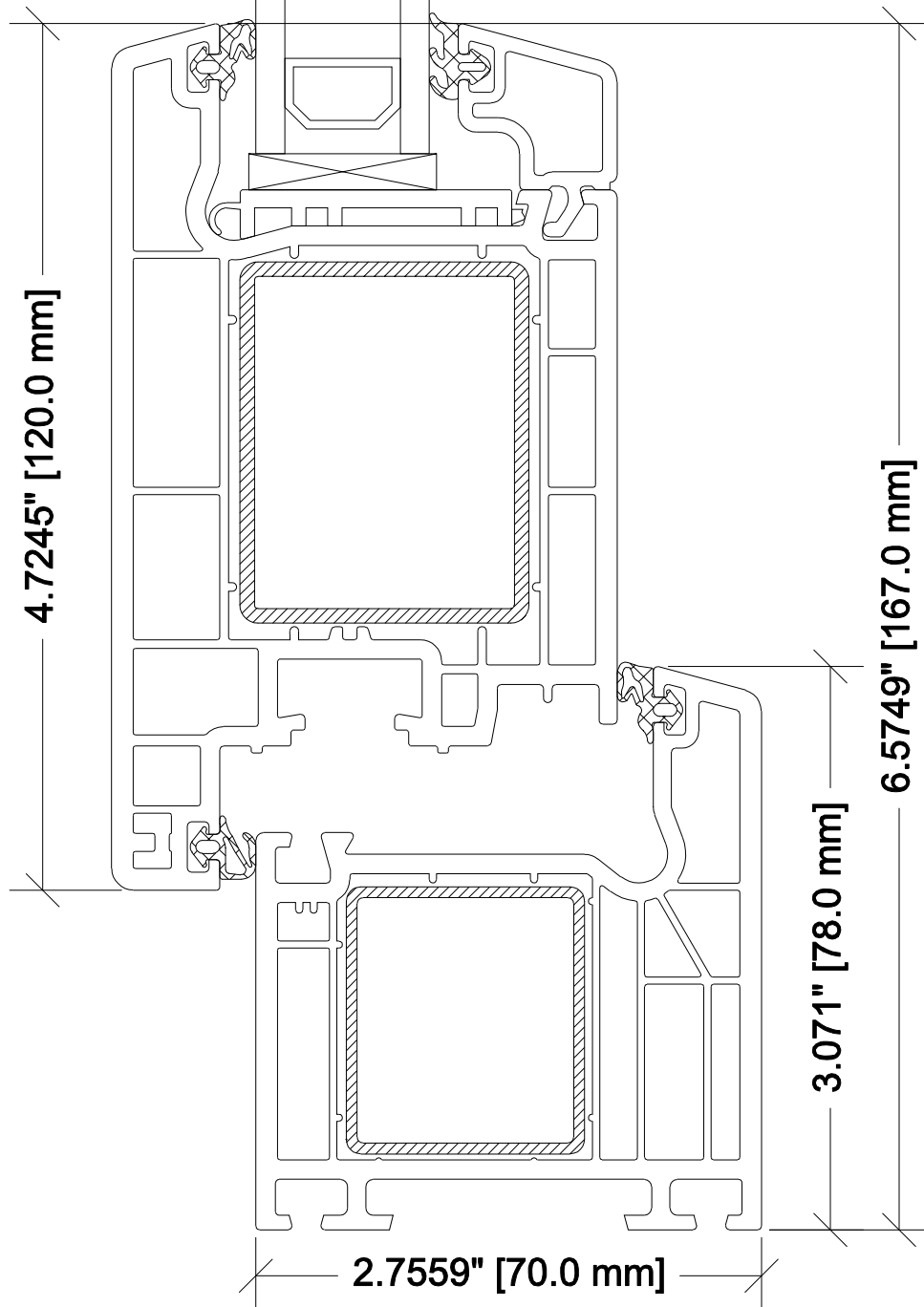
DWG: 65

SCALE: FULL

DATE: 11/15/2010

DWG BY: PS

EXTERIOR



INTERIOR

TradeWind DISTRIBUTION



TW15-V WINDOWS AND DOORS
FRAME 78 / SASH 120 OUTSW

JOB: TW15V

PLAN SECTION @ FRAME

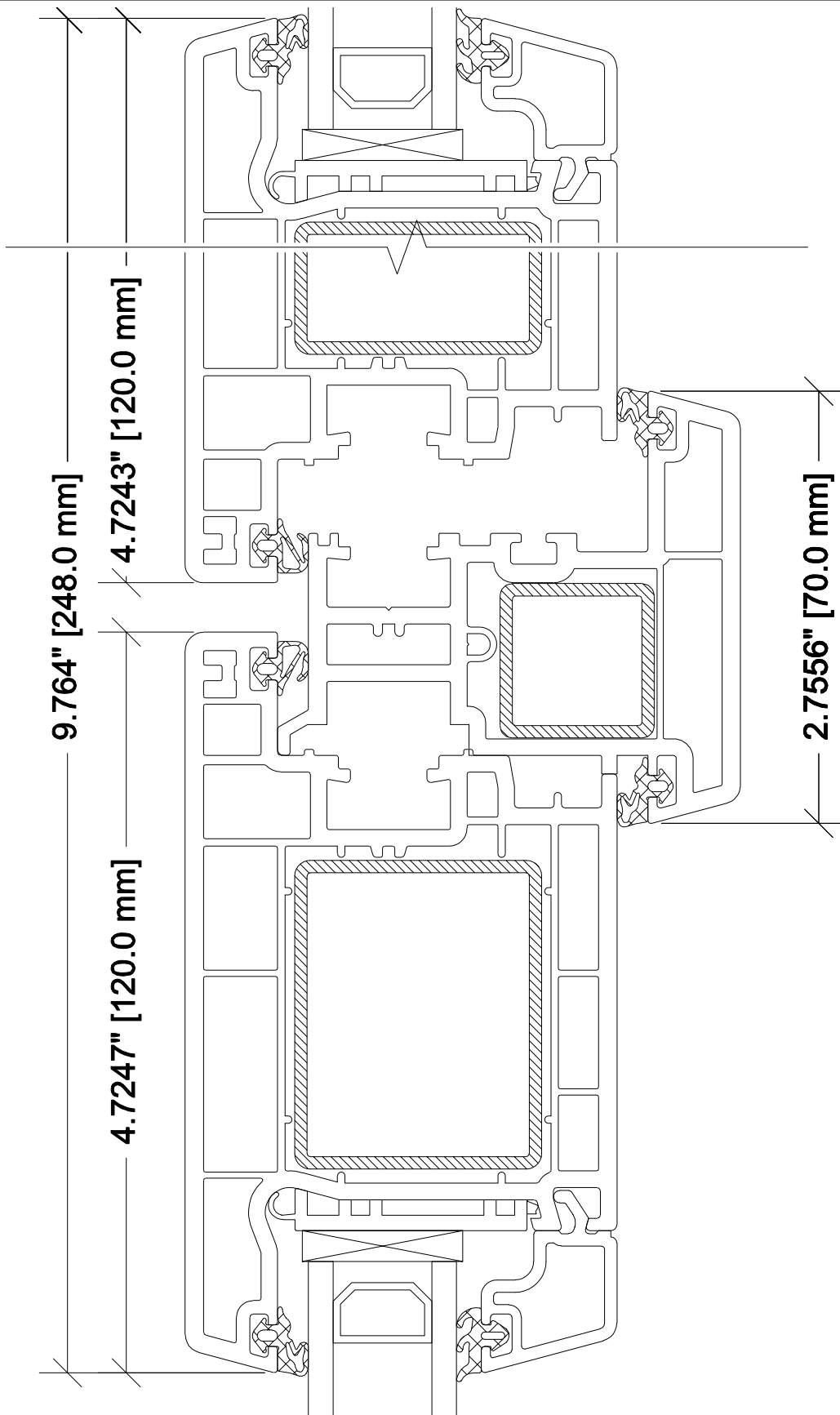
DWG: 66

SCALE: FULL

DATE: 11/15/2010

DWG BY: PS

EXTERIOR



INTERIOR

TradeWind DISTRIBUTION



TW15-V WINDOWS AND DOORS
MULLION 70 / SASH 120 OUTSW

JOB: TW15V

PLAN SECTION @ MULLION

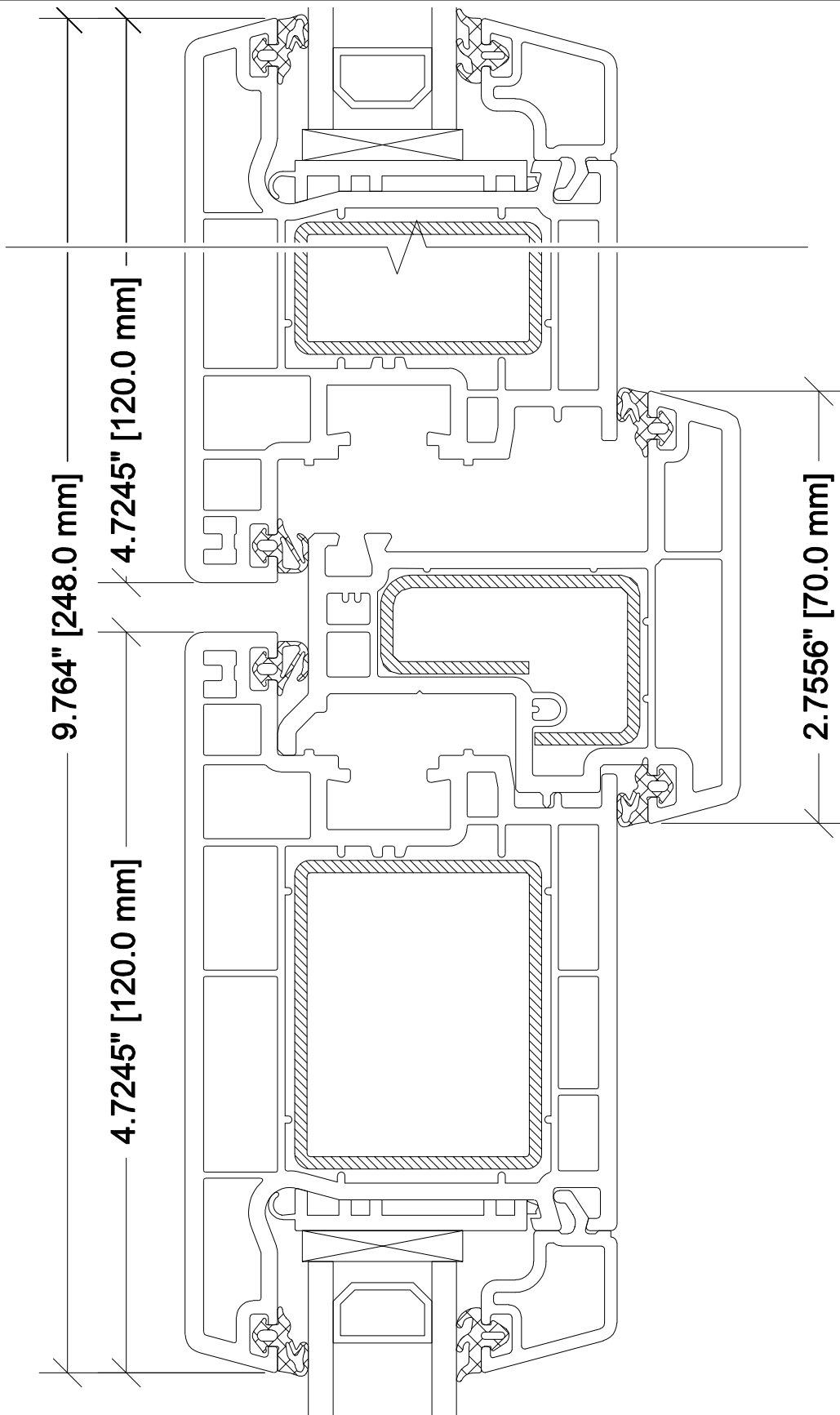
DWG: 67

SCALE: FULL

DATE: 11/15/2010

DWG BY: PS

EXTERIOR



INTERIOR

TradeWind DISTRIBUTION



TW15-V WINDOWS AND DOORS
MULLION 70 / SASH 120 OUTSW

JOB: TW15V

PLAN SECTION @ MULLION

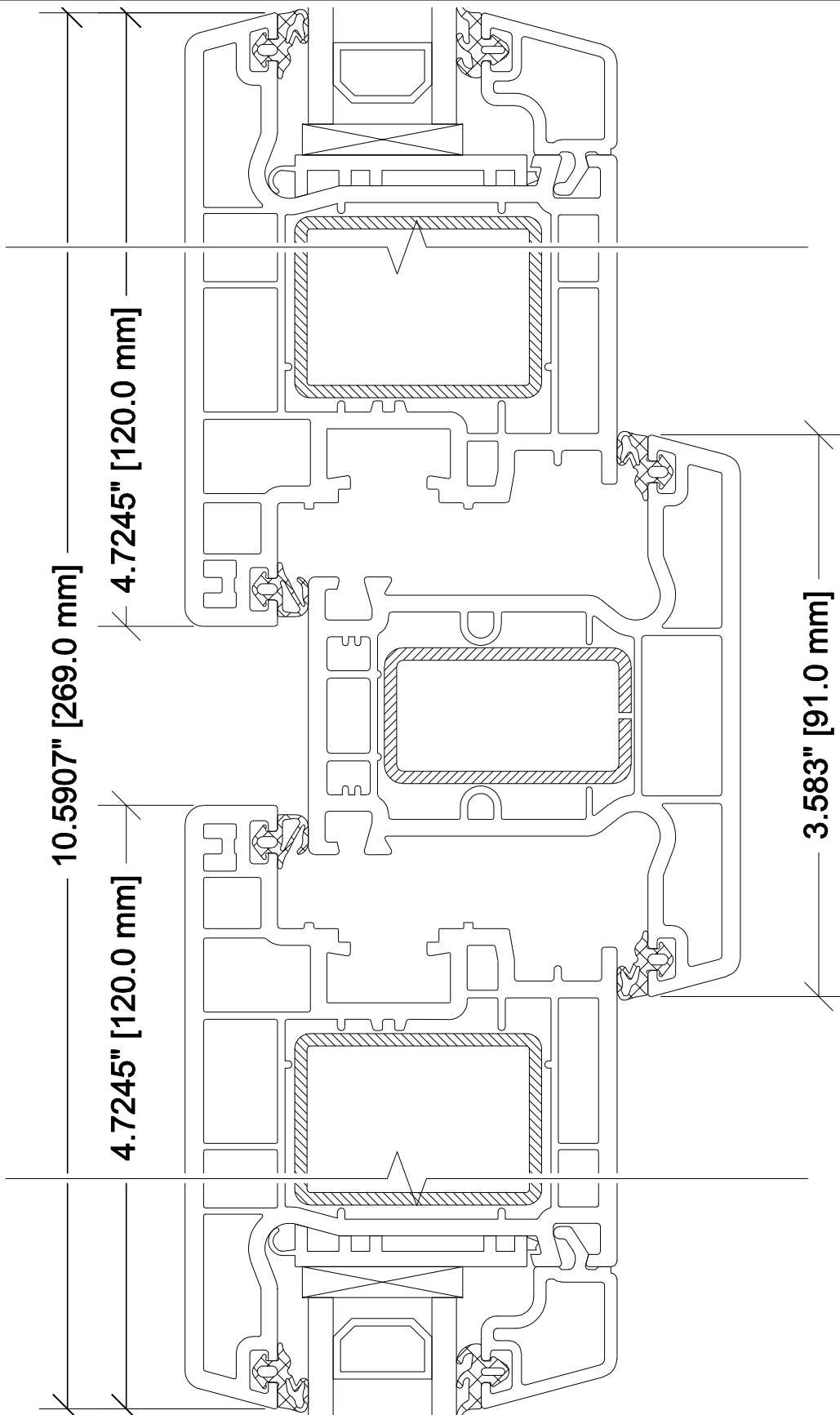
DWG: 68

SCALE: FULL

DATE: 11/15/2010

DWG BY: PS

EXTERIOR



INTERIOR

TradeWind DISTRIBUTION



TW15-V WINDOWS AND DOORS
MULLION 91 / SASH 120 OUTSW

JOB: TW15V

PLAN SECTION @ MULLION

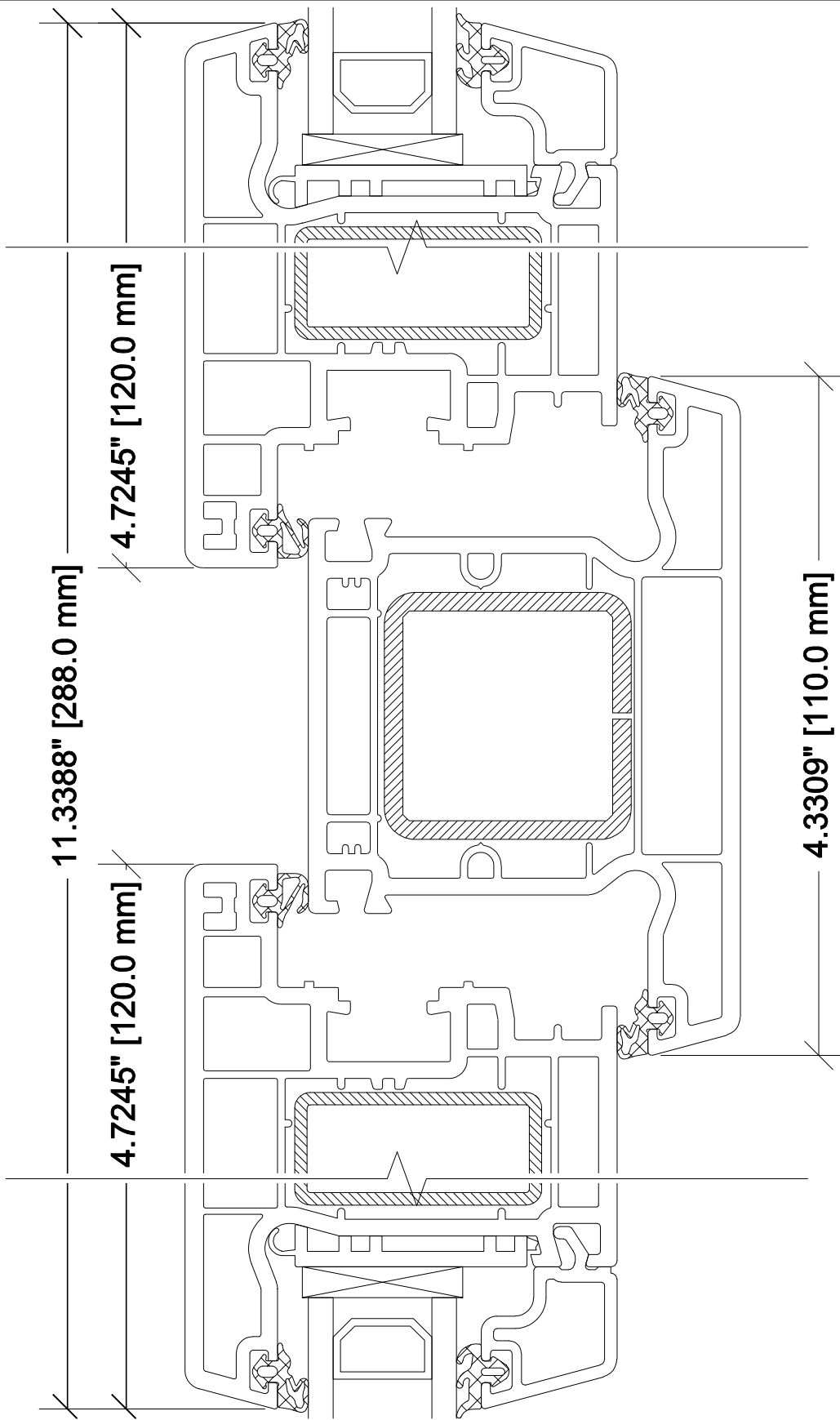
DWG: 69

SCALE: FULL

DATE: 11/15/2010

DWG BY: PS

EXTERIOR



INTERIOR

TradeWind DISTRIBUTION



FINESTRA

TW15-V WINDOWS AND DOORS
POST 110 / SASH 120 OUTSW

PLAN SECTION @ MULLION POST

SCALE: FULL

DATE: 11/15/2010

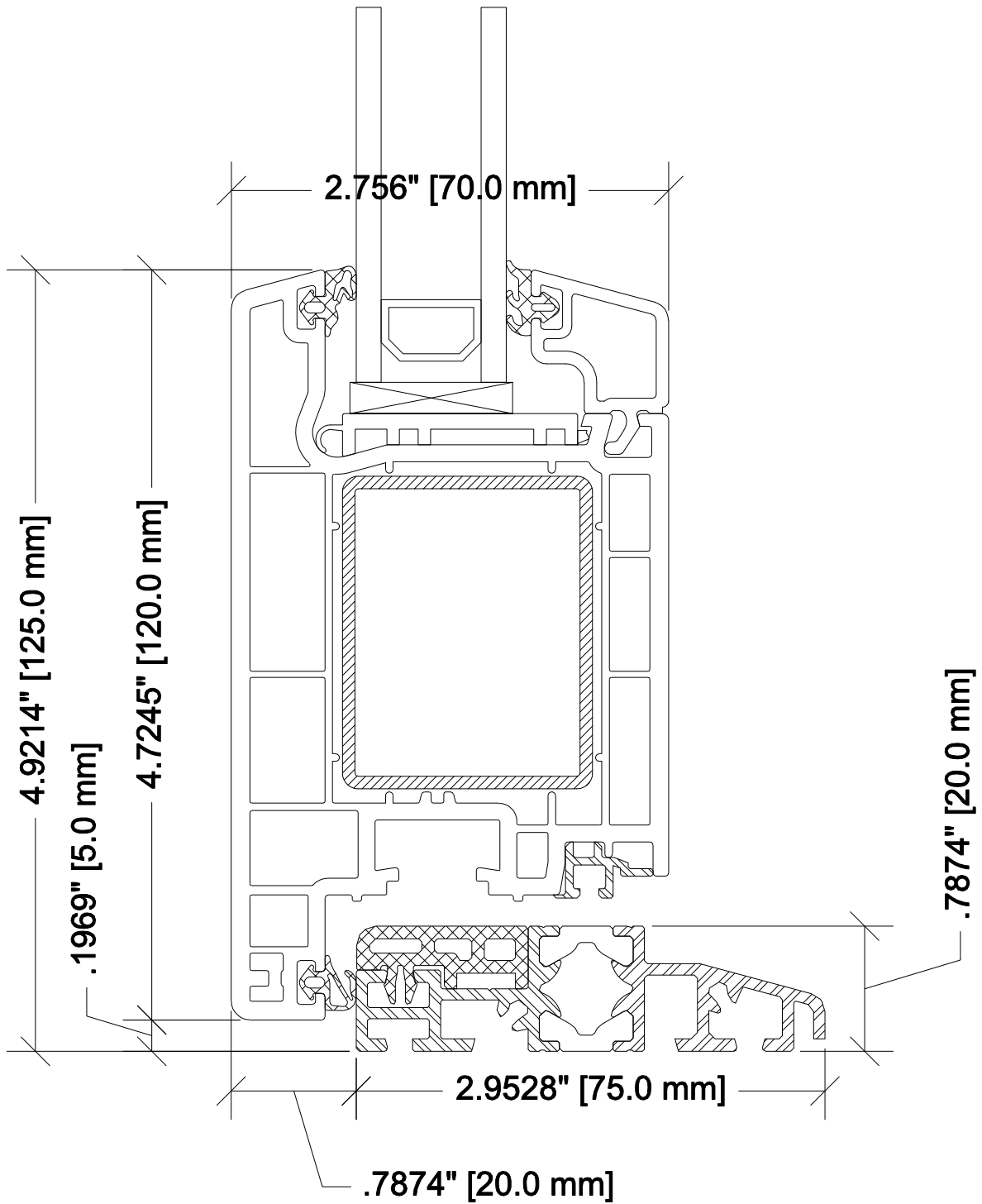
DWG BY: PS

JOB: TW15V

DWG: 70

EXTERIOR

INTERIOR



TradeWind DISTRIBUTION



TW15-V WINDOWS AND DOORS
SILL / SASH 120 OUTSW

JOB: TW15V

VERT SECTION @ SILL

DWG: 71

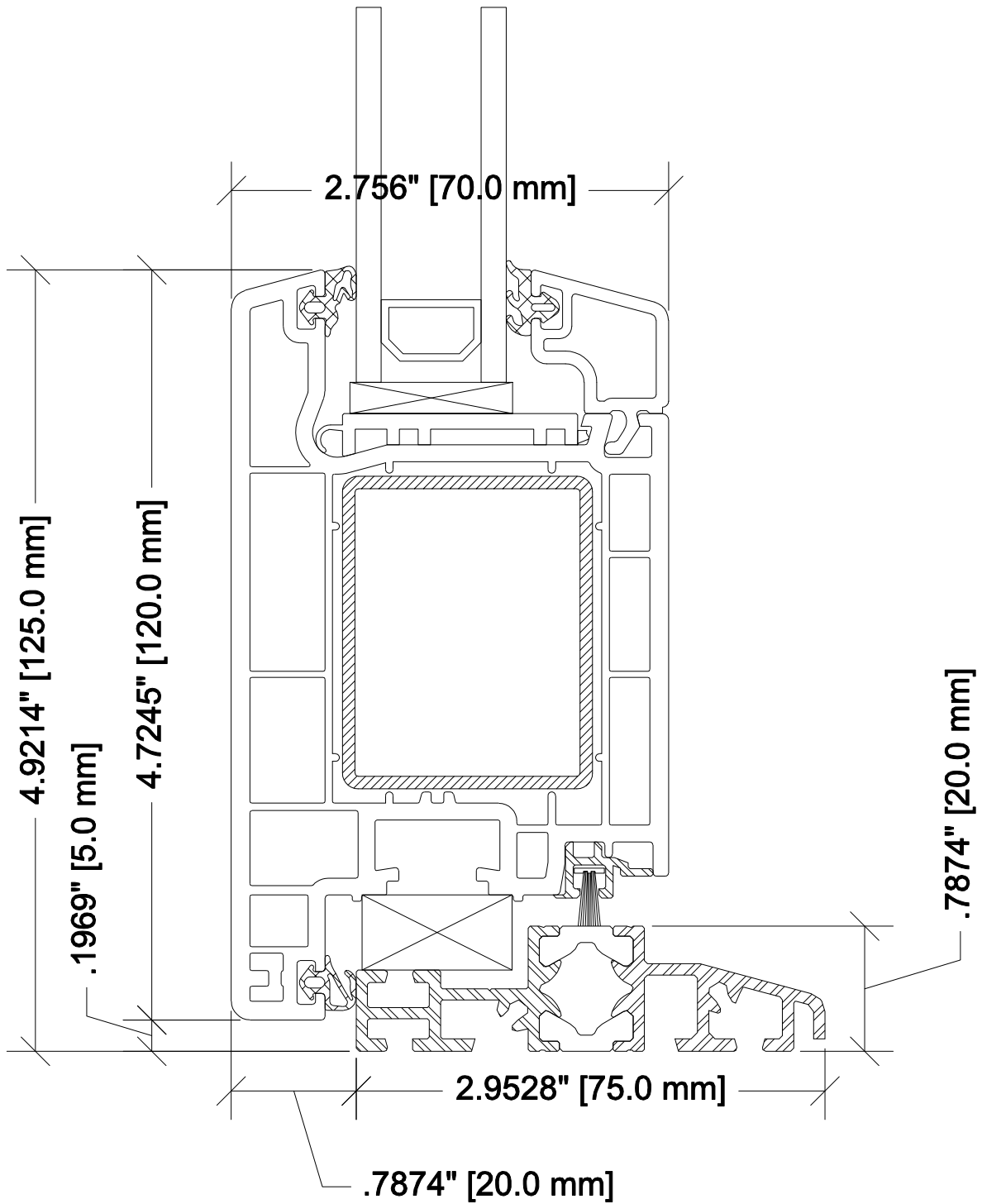
SCALE: FULL

DATE: 11/15/2010

DWG BY: PS

EXTERIOR

INTERIOR



TradeWind DISTRIBUTION



TW15-V WINDOWS AND DOORS
SILL / SASH 120 OUTSW - FIXED

JOB: TW15V

VERT SECTION @ SILL

DWG: 72

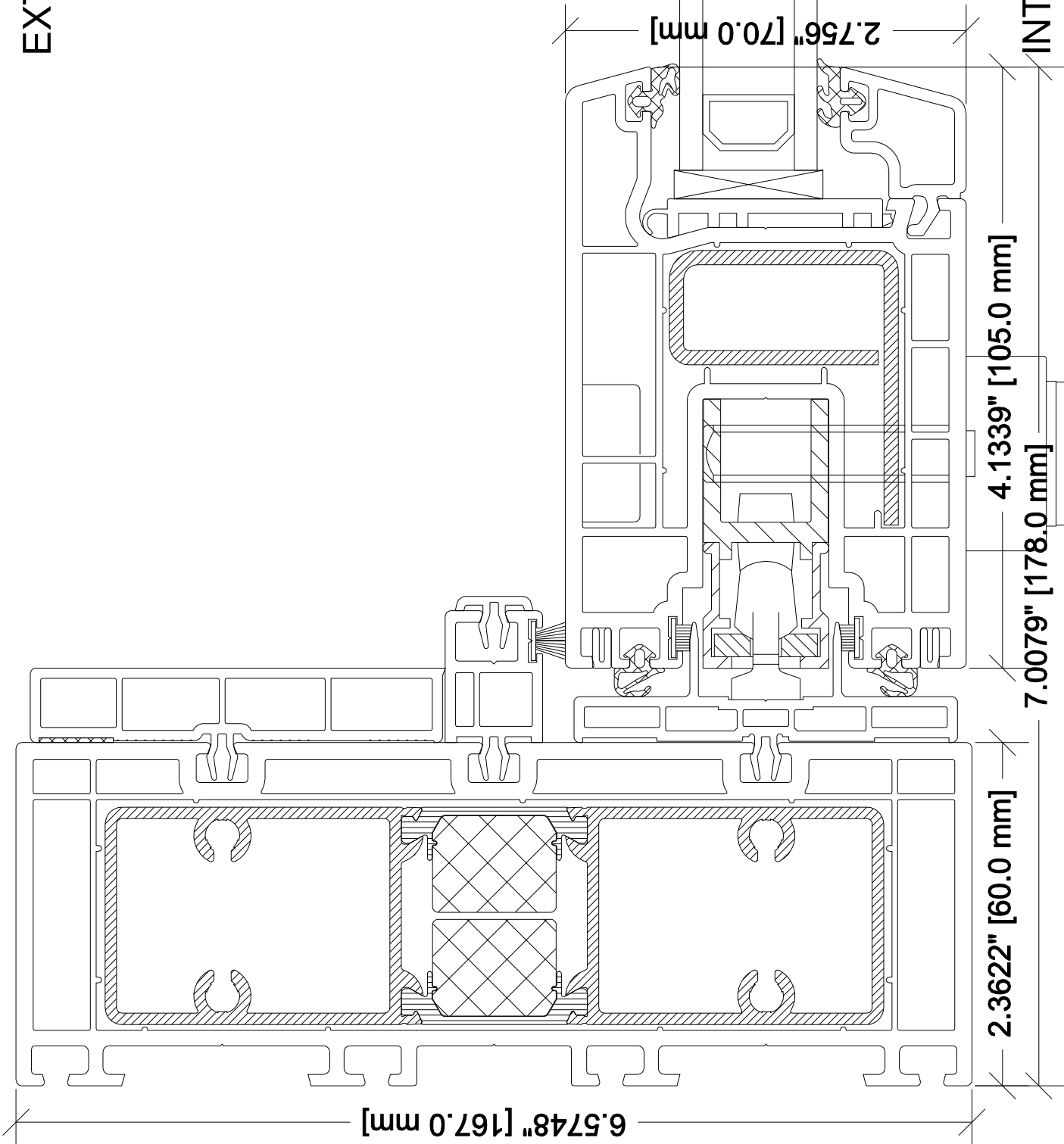
SCALE: FULL

DATE: 11/15/2010

DWG BY: PS

EXTERIOR

INTERIOR



TradeWind DISTRIBUTION



TW15-V WINDOWS AND DOORS
PVC LIFT AND SLIDE

JOB: TW15V

PLAN SECTION @ JAMB

DWG: 73

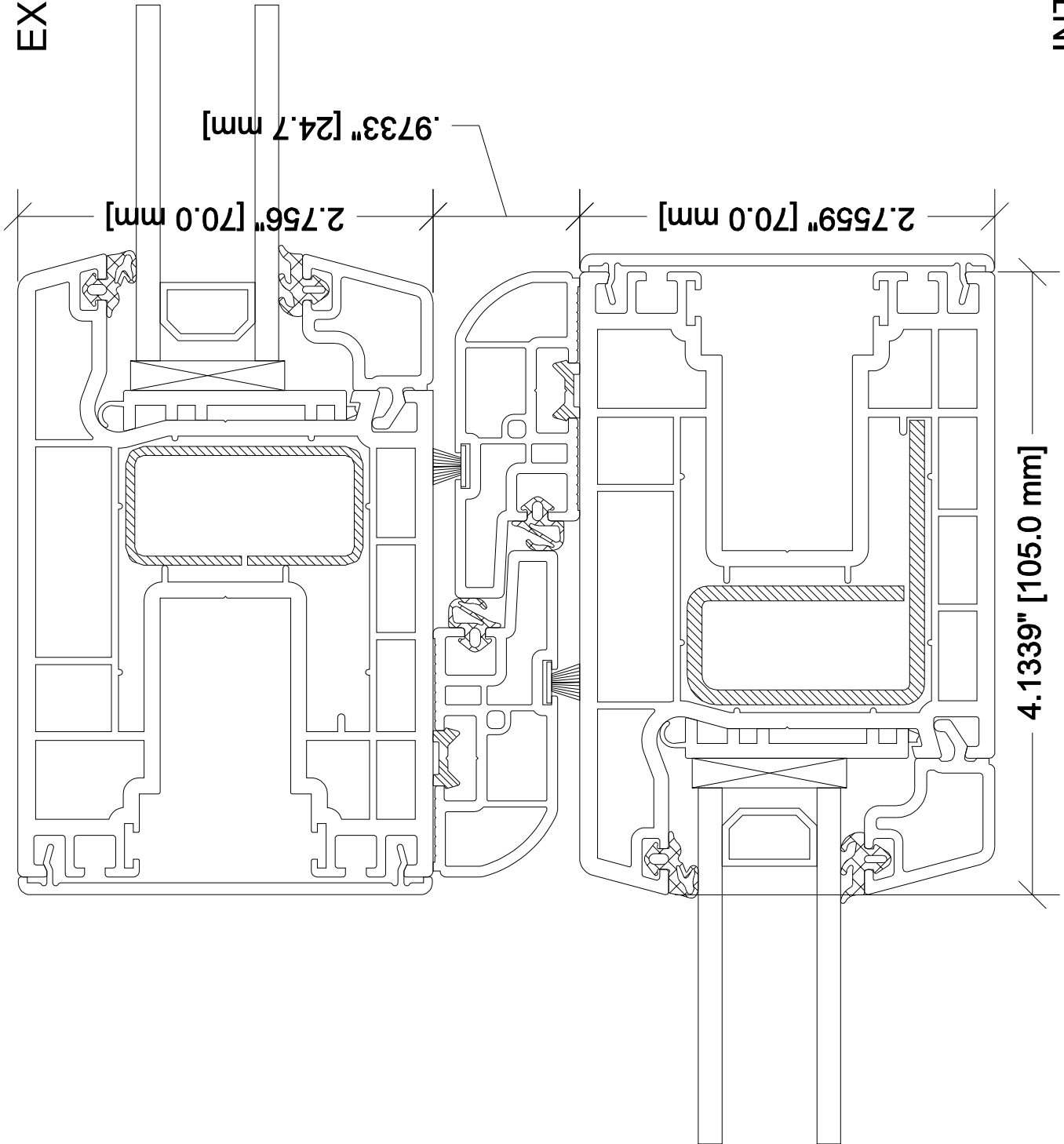
SCALE: FULL

DATE: 11/15/2010

DWG BY: PS

EXTERIOR

INTERIOR



TradeWind DISTRIBUTION



TW15-V WINDOWS AND DOORS
PVC LIFT AND SLIDE

JOB: TW15V

PLAN SECTION @ MEETING STILES

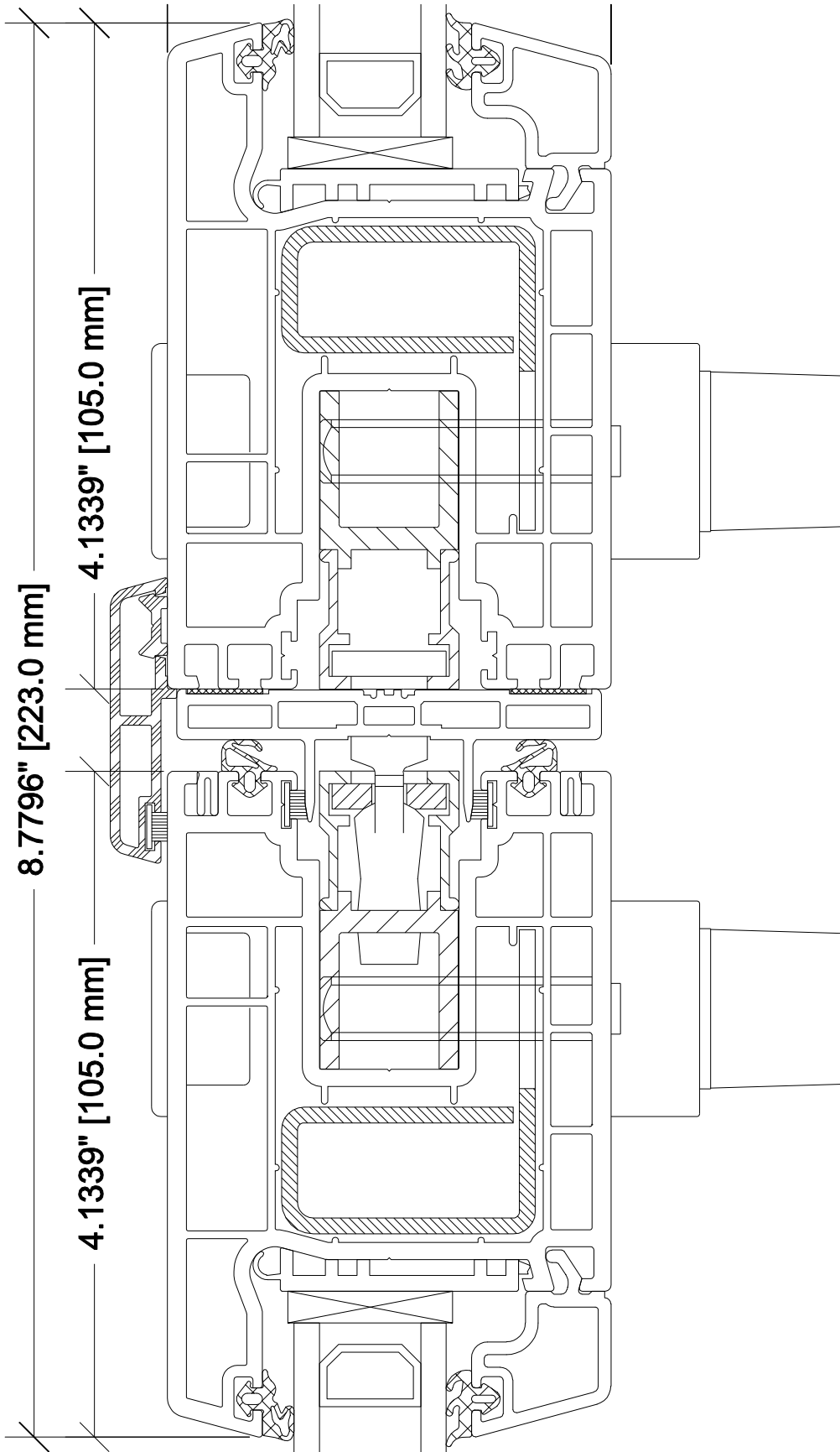
DWG: 74

SCALE: FULL

DATE: 11/15/2010

DWG BY: PS

EXTERIOR



INTERIOR

TradeWind DISTRIBUTION



FINESTRA

TW15-V WINDOWS AND DOORS
PVC LIFT AND SLIDE

PLAN SECTION @ MEETING STILES

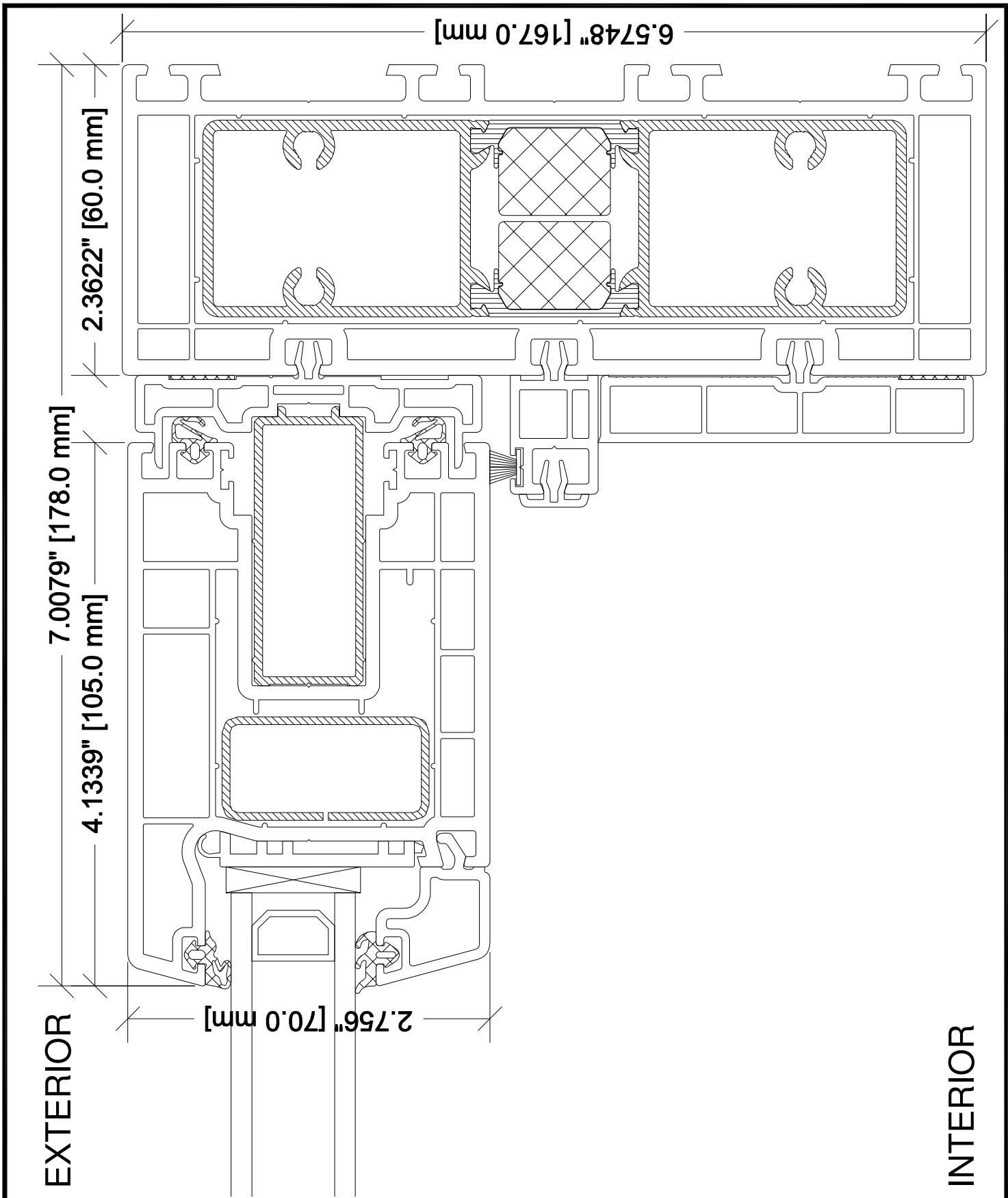
SCALE: FULL

DATE: 11/15/2010

DWG BY: PS

JOB: TW15V

DWG: 75



TradeWind DISTRIBUTION



TW15-V WINDOWS AND DOORS
PVC LIFT AND SLIDE

JOB: TW15V

PLAN SECTION @ JAMB

DWG: 76

SCALE: FULL

DATE: 11/15/2010

DWG BY: PS

6.5748" [167.0 mm]

2.3622" [60.0 mm]

7.0079" [178.0 mm]

4.1339" [105.0 mm]

2.756" [70.0 mm]

EXTERIOR

INTERIOR

TradeWind DISTRIBUTION



TW15-V WINDOWS AND DOORS
PVC LIFT AND SLIDE

JOB: TW15V

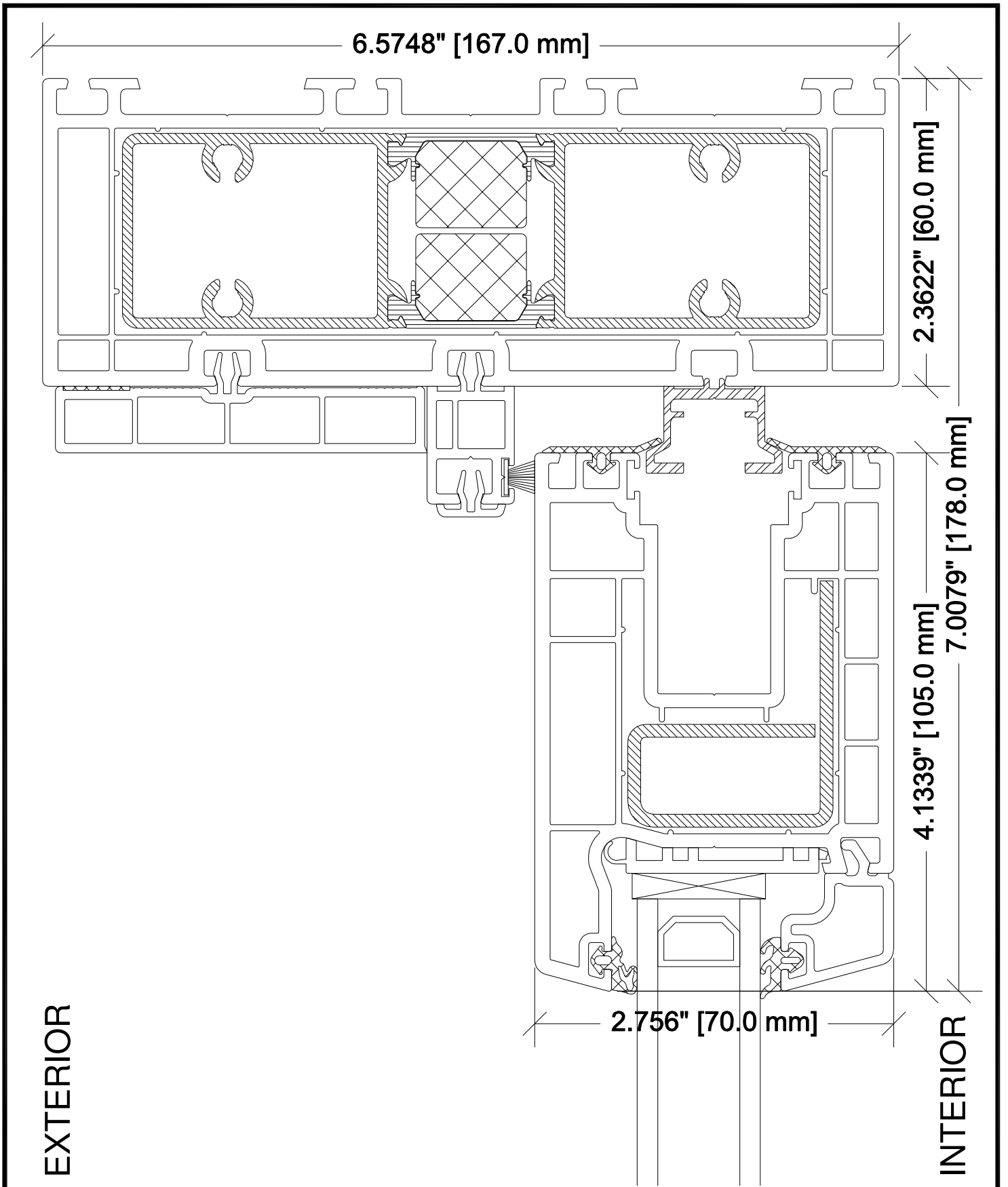
VERT SECTION @ HEAD

DWG: 77

SCALE: FULL

DATE: 11/15/2010

DWG BY: PS



TradeWind DISTRIBUTION



TW15-V WINDOWS AND DOORS
PVC LIFT AND SLIDE

JOB: TW15V

VERT SECTION @ HEAD

DWG: 78

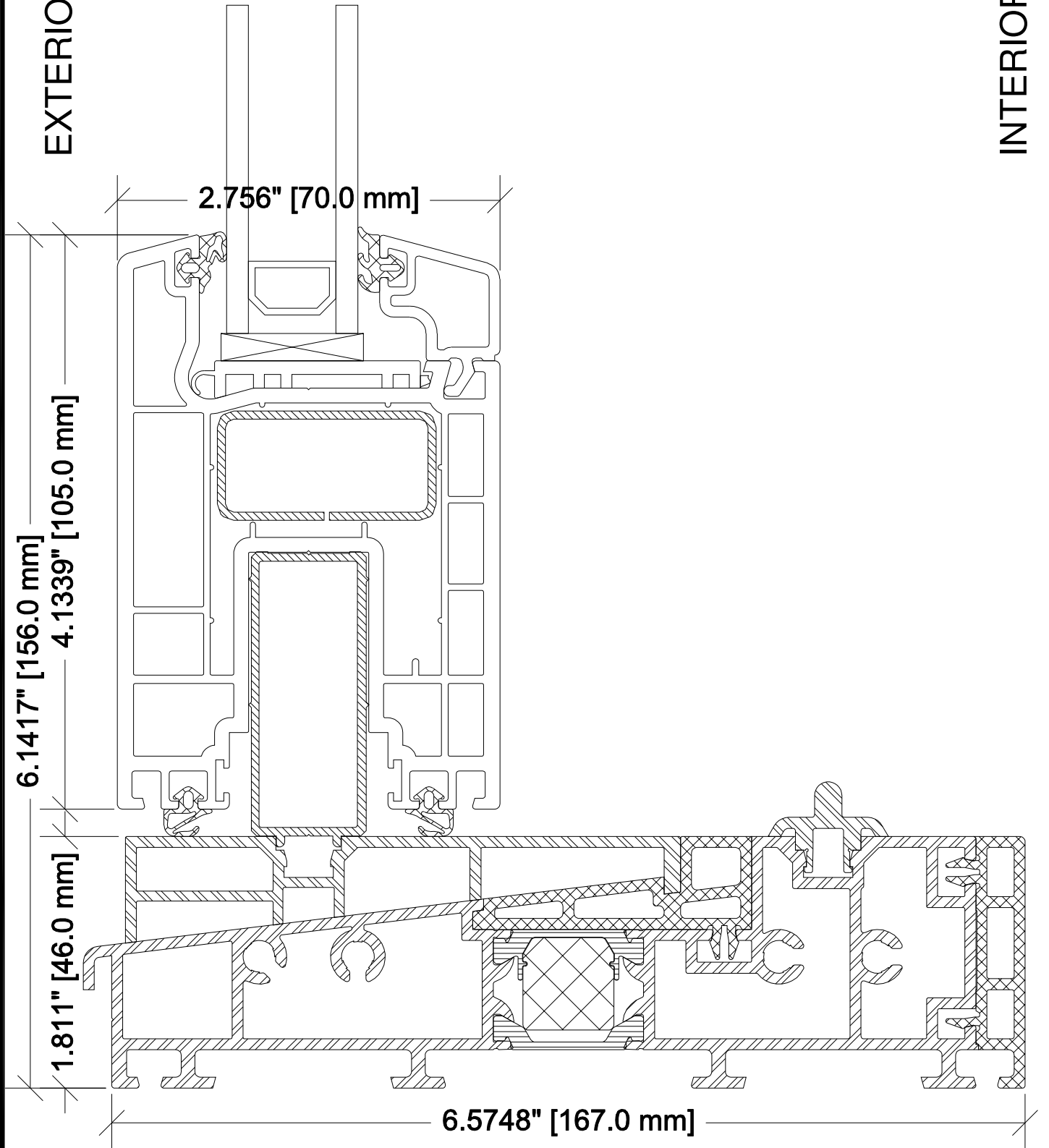
SCALE: FULL

DATE: 11/15/2010

DWG BY: PS

EXTERIOR

INTERIOR



TradeWind DISTRIBUTION



FINESTRA

TW15-V WINDOWS AND DOORS
PVC LIFT AND SLIDE

VERT SECTION @ SILL

SCALE: FULL

DATE: 11/15/2010

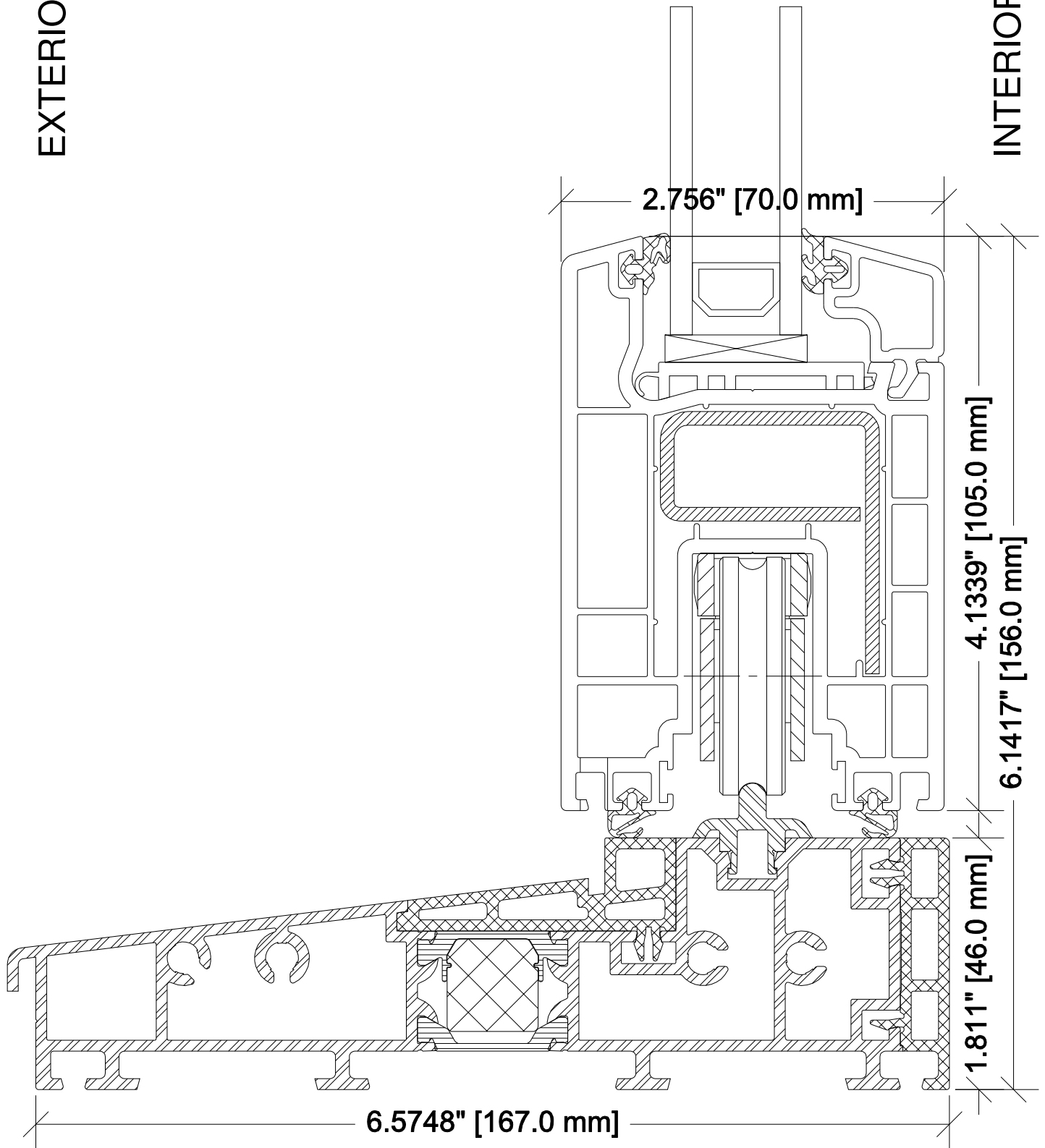
DWG BY: PS

JOB: TW15V

DWG: 79

EXTERIOR

INTERIOR



TradeWind DISTRIBUTION



TW15-V WINDOWS AND DOORS
PVC LIFT AND SLIDE

JOB: TW15V

VERT SECTION @ SILL

DWG: 80

SCALE: FULL

DATE: 11/15/2010

DWG BY: PS