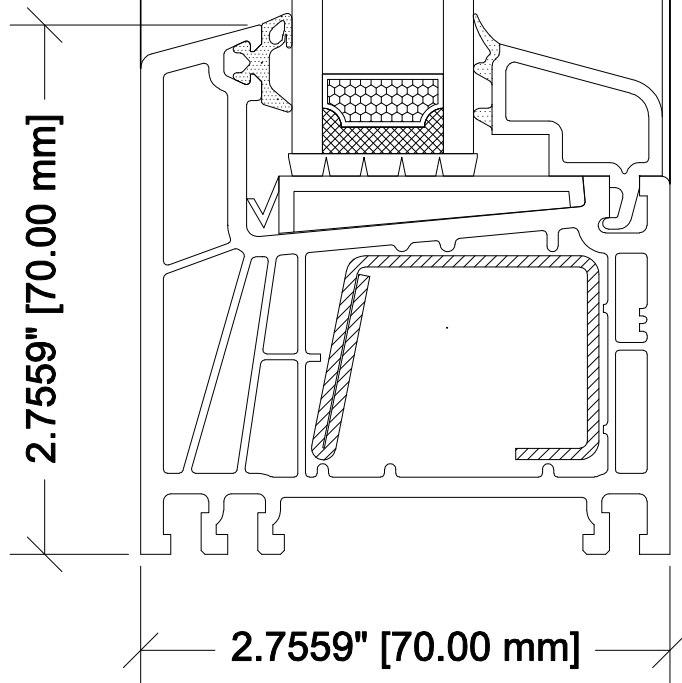


EXTERIOR



INTERIOR

TradeWind DISTRIBUTION



TW15-T - TRADITIONAL WINDOWS  
FRAME 70

JOB: TW15T

PLAN SECTION @ FRAME

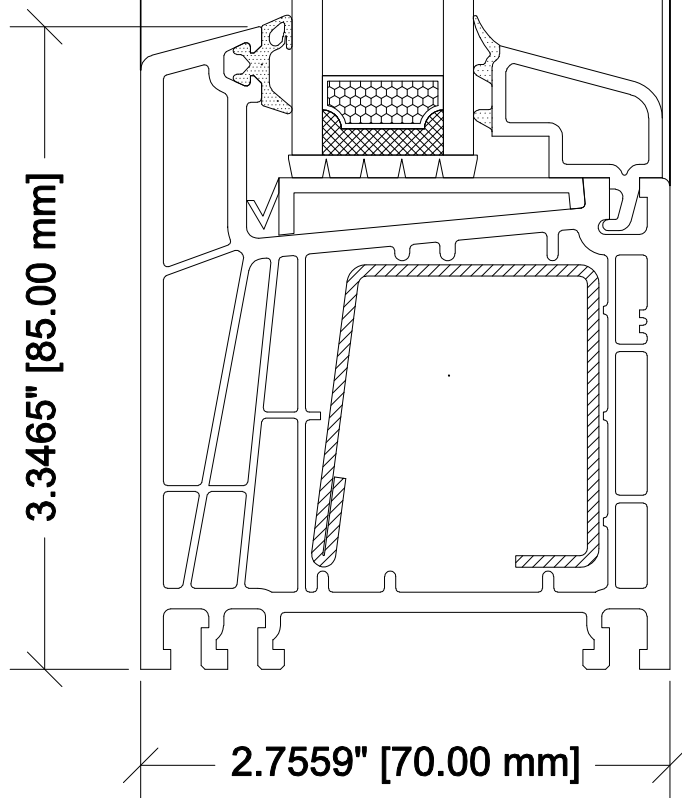
DWG: 1

SCALE: FULL

DATE: 10/21/2010

DWG BY: PS

EXTERIOR



INTERIOR

TradeWind DISTRIBUTION



TW15-T - TRADITIONAL WINDOWS  
FRAME 85

JOB: TW15T

PLAN SECTION @ FRAME

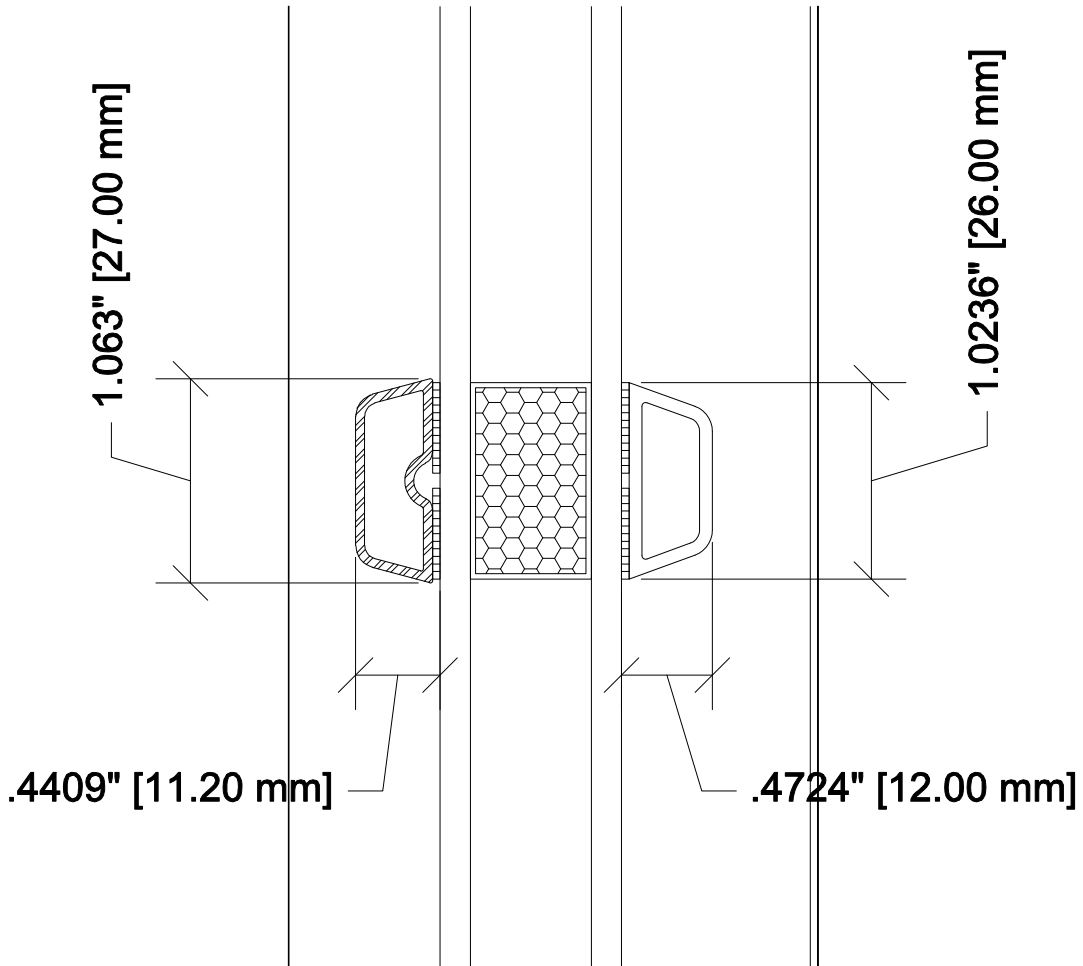
DWG: 2

SCALE: FULL

DATE: 10/21/2010

DWG BY: PS

EXTERIOR



INTERIOR

TradeWind DISTRIBUTION



TW15-T - TRADITIONAL WINDOWS  
GRID

JOB: TW15T

PLAN SECTION @ GRID

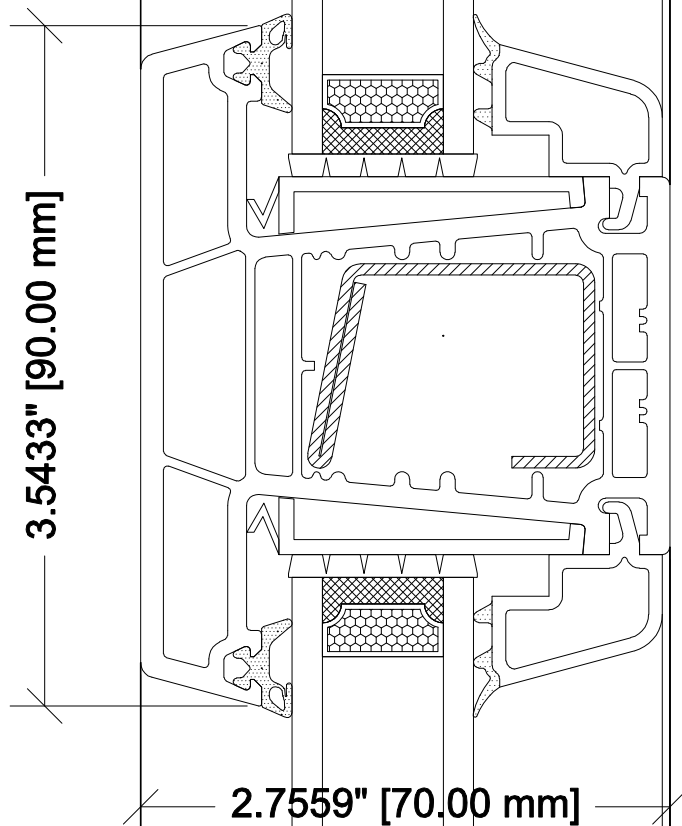
SCALE: FULL

DATE: 10/21/2010

DWG BY: PS

DWG: 3

EXTERIOR



INTERIOR

TradeWind DISTRIBUTION



FINESTRA

TW15-T - TRADITIONAL WINDOWS  
GLASS MULLION 90

JOB: TW15T

PLAN SECTION @ GLASS MULLION

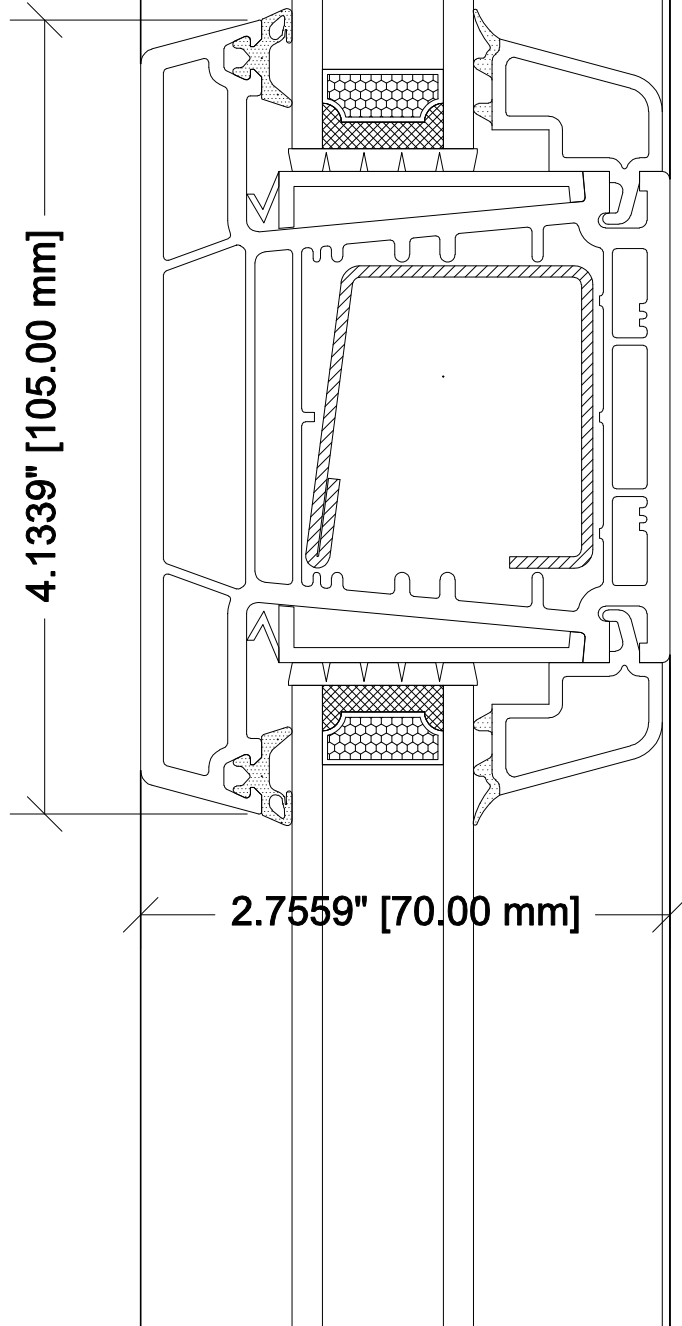
DWG: 4

SCALE: FULL

DATE: 10/21/2010

DWG BY: PS

EXTERIOR



INTERIOR

TradeWind DISTRIBUTION



FINESTRA

TW15-T - TRADITIONAL WINDOWS  
GLASS MULLION 105

PLAN SECTION @ GLASS MULLION

SCALE: FULL

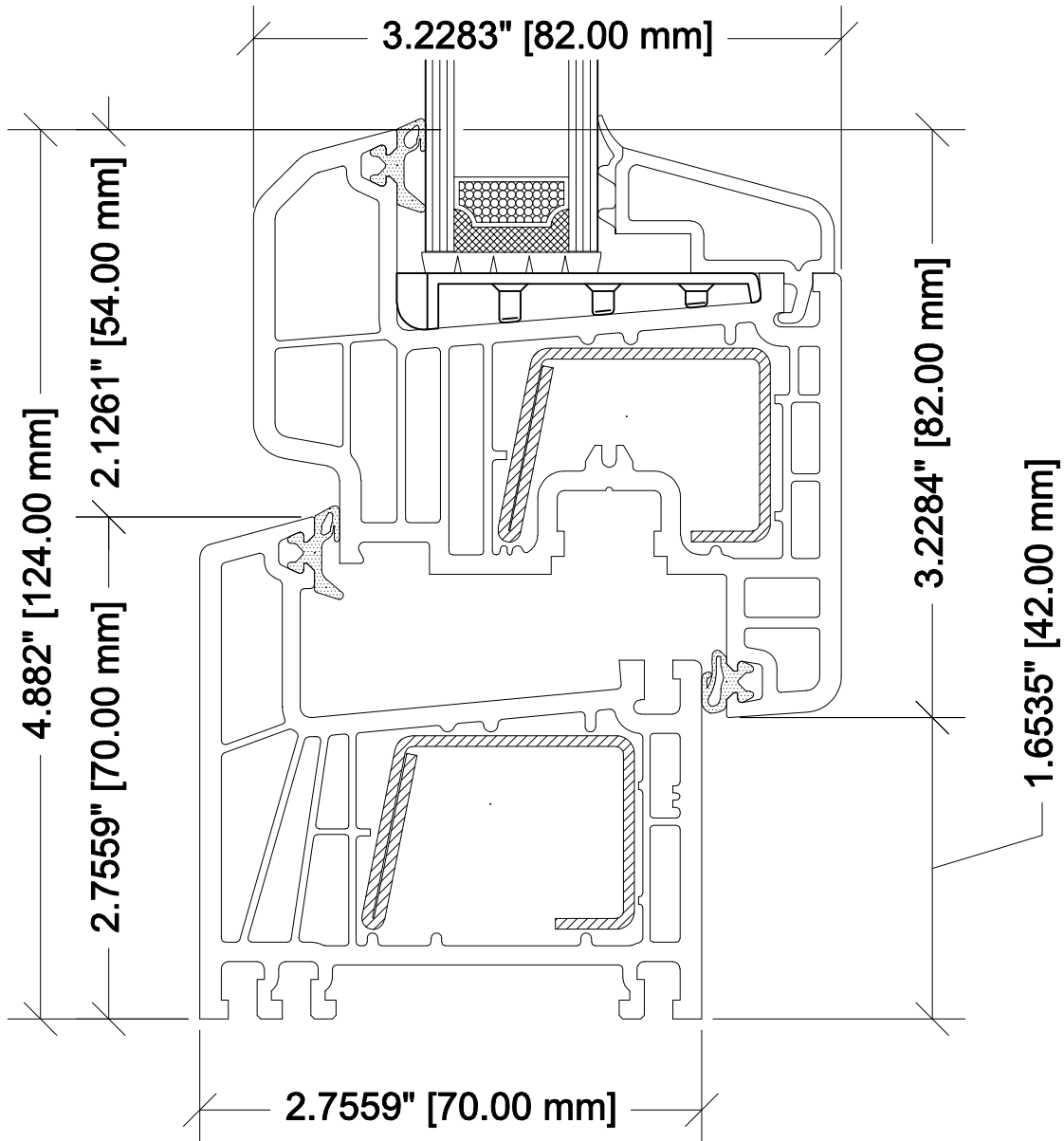
DATE: 10/21/2010

DWG BY: PS

JOB: TW15T

DWG: 5

EXTERIOR



INTERIOR

TradeWind DISTRIBUTION



TW15-T - TRADITIONAL WINDOWS  
SASH 82 / FRAME 70

JOB: TW15T

PLAN SECTION @ FRAME

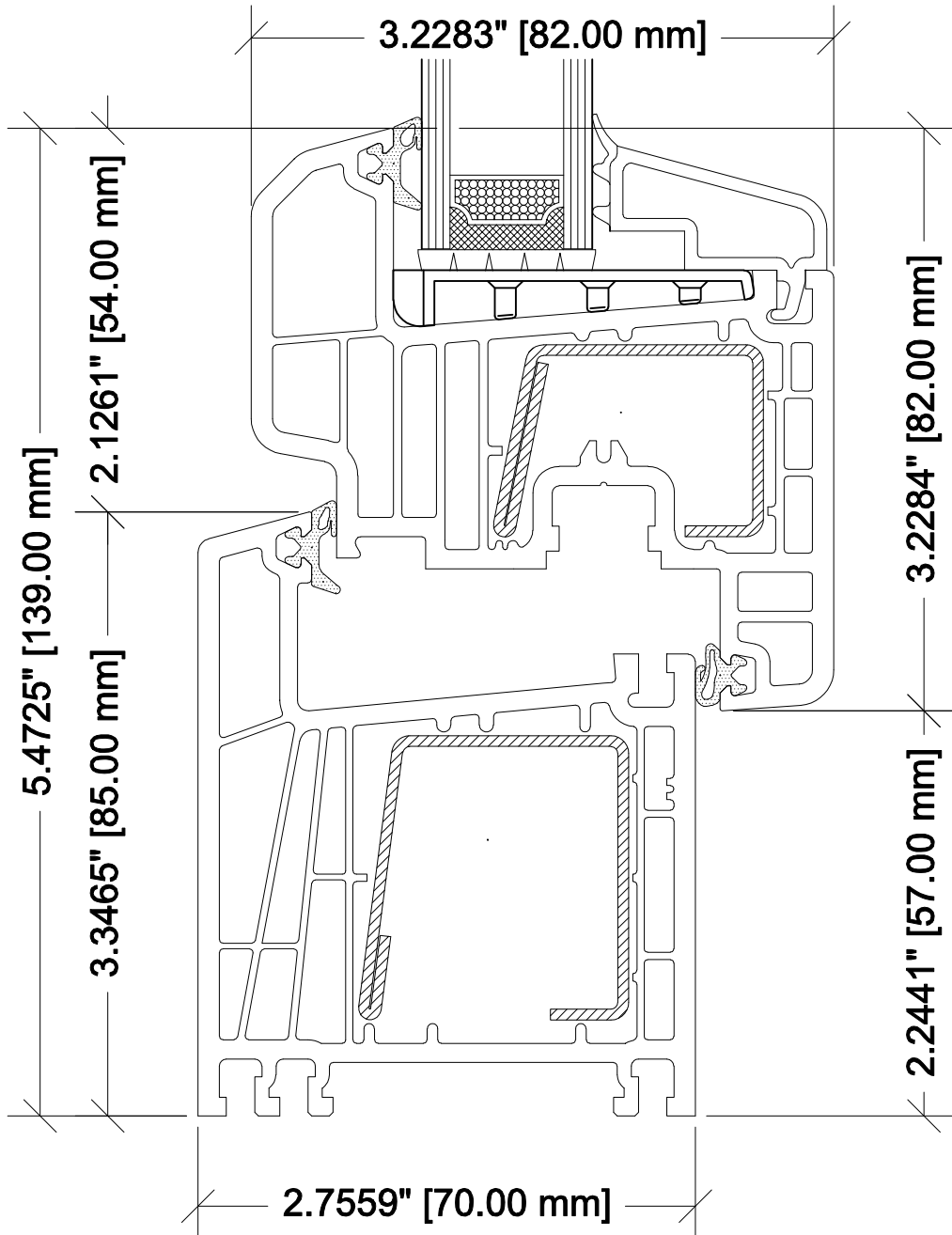
DWG: 6

SCALE: FULL

DATE: 10/21/2010

DWG BY: PS

EXTERIOR



INTERIOR

TradeWind DISTRIBUTION



TW15-T - TRADITIONAL WINDOWS  
SASH 82 / FRAME 85

JOB: TW15T

PLAN SECTION @ FRAME

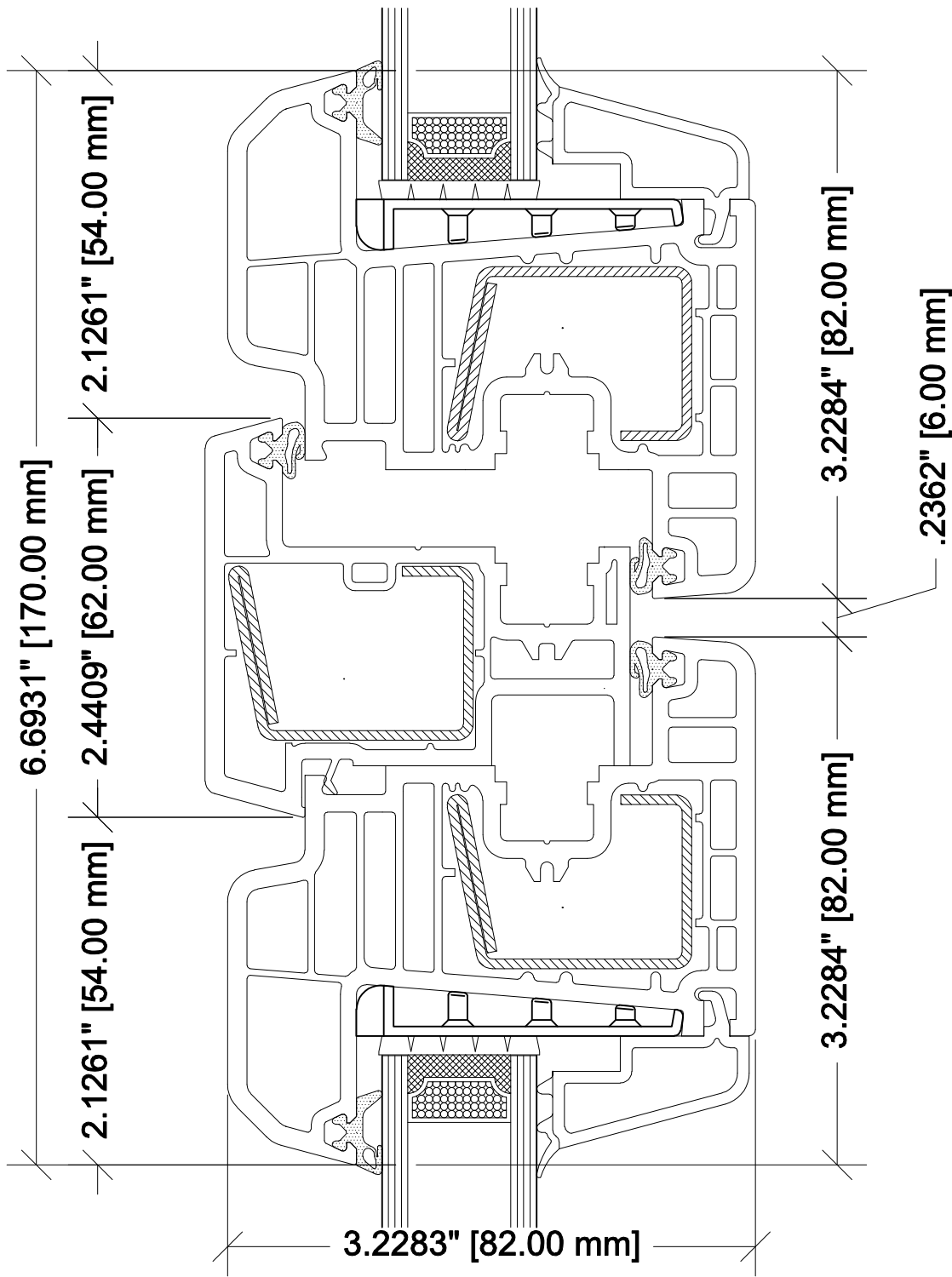
DWG: 7

SCALE: FULL

DATE: 10/21/2010

DWG BY: PS

EXTERIOR



INTERIOR

TradeWind DISTRIBUTION



TW15-T - TRADITIONAL WINDOWS  
SASH 82 / MULLION 62

JOB: TW15T

PLAN SECTION @ MULLION

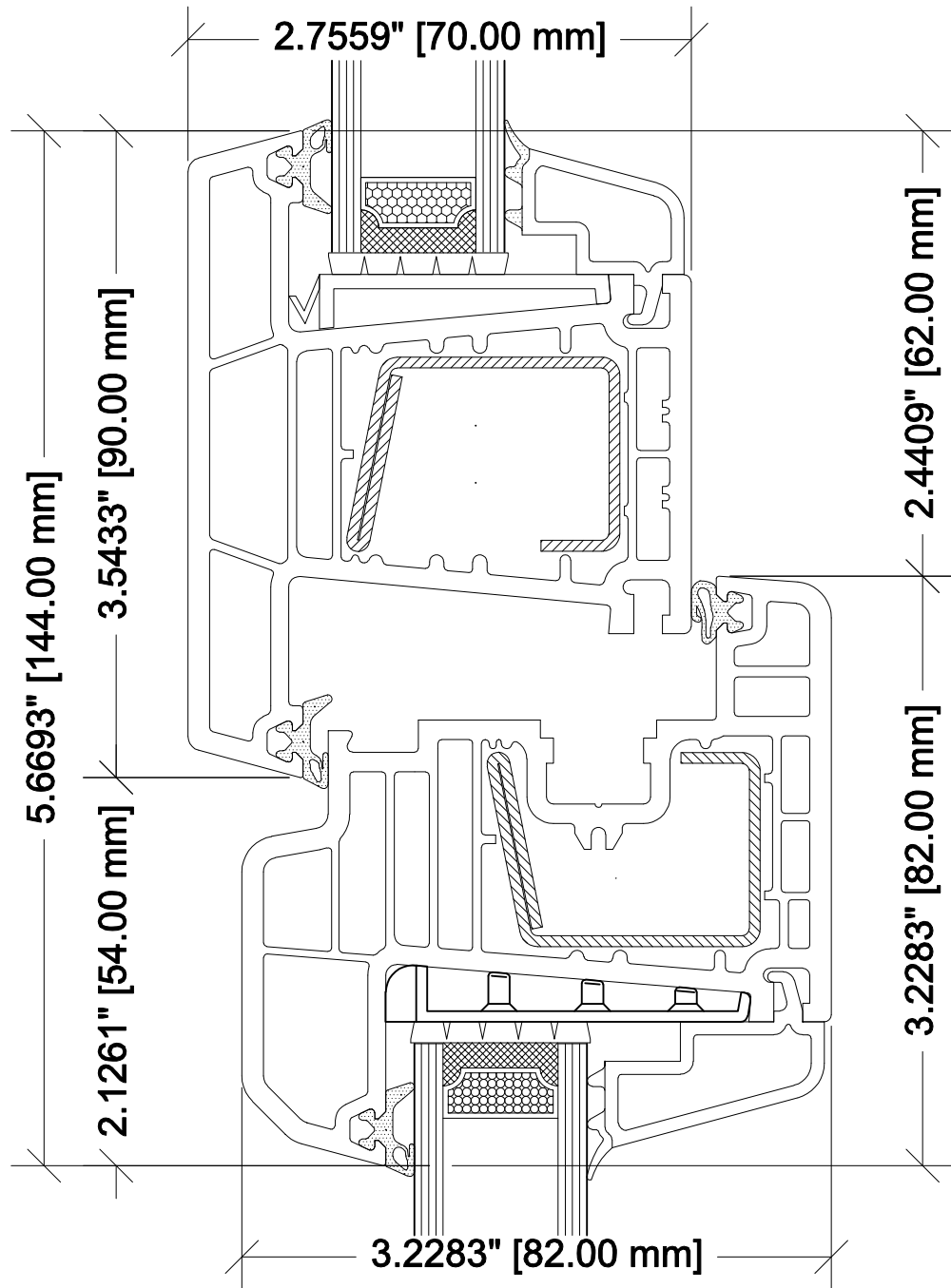
DWG: 8

SCALE: FULL

DATE: 10/21/2010

DWG BY: PS

EXTERIOR



INTERIOR

TradeWind DISTRIBUTION



TW15-T - TRADITIONAL WINDOWS  
SASH 82 / POST 90

JOB: TW15T

PLAN SECTION @ MULLION

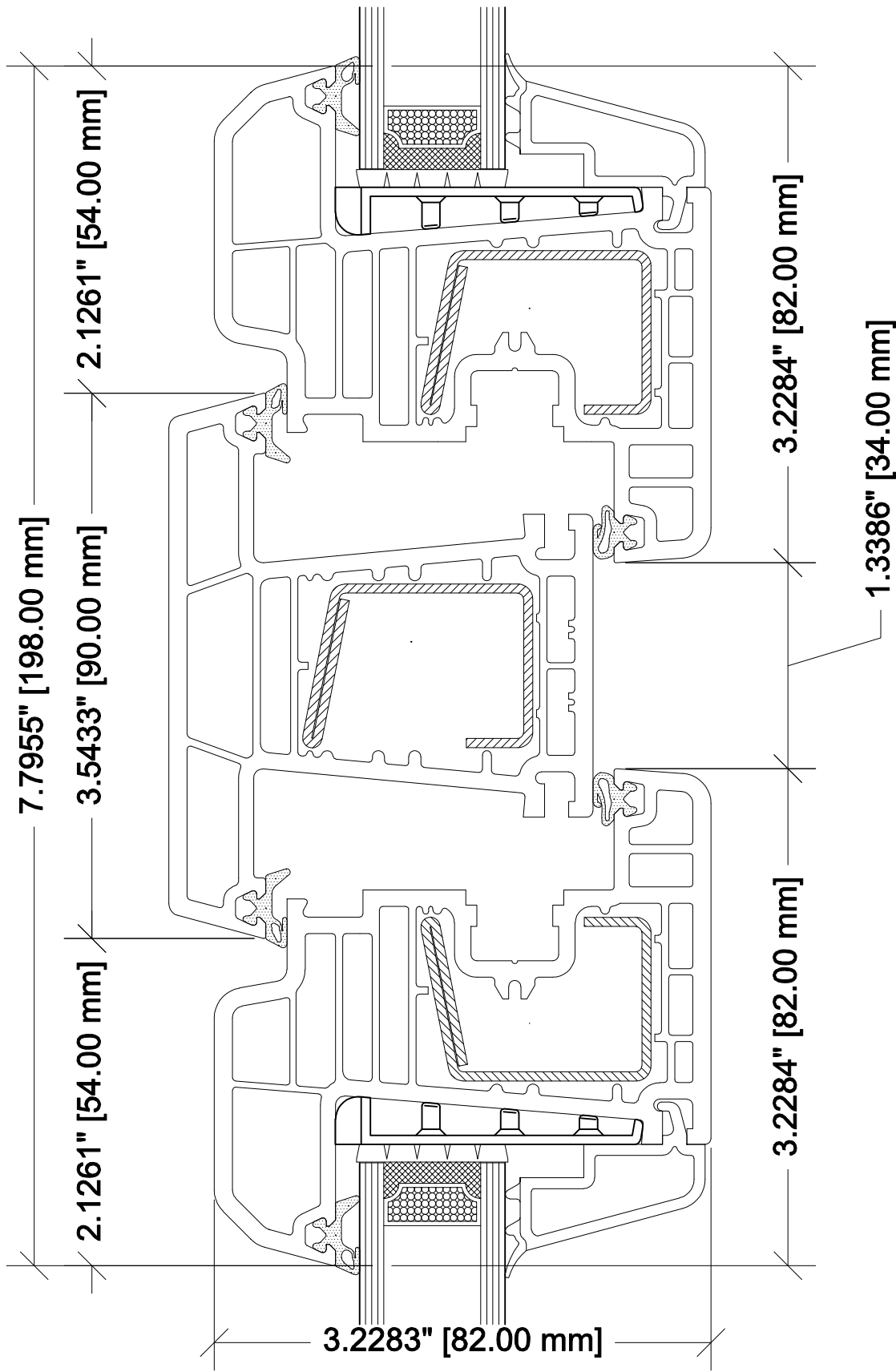
DWG: 9

SCALE: FULL

DATE: 10/21/2010

DWG BY: PS

EXTERIOR



INTERIOR

TradeWind DISTRIBUTION



TW15-T - TRADITIONAL WINDOWS  
SASH 82 / POST 90

JOB: TW15T

PLAN SECTION @ MULLION POST

DWG: 10

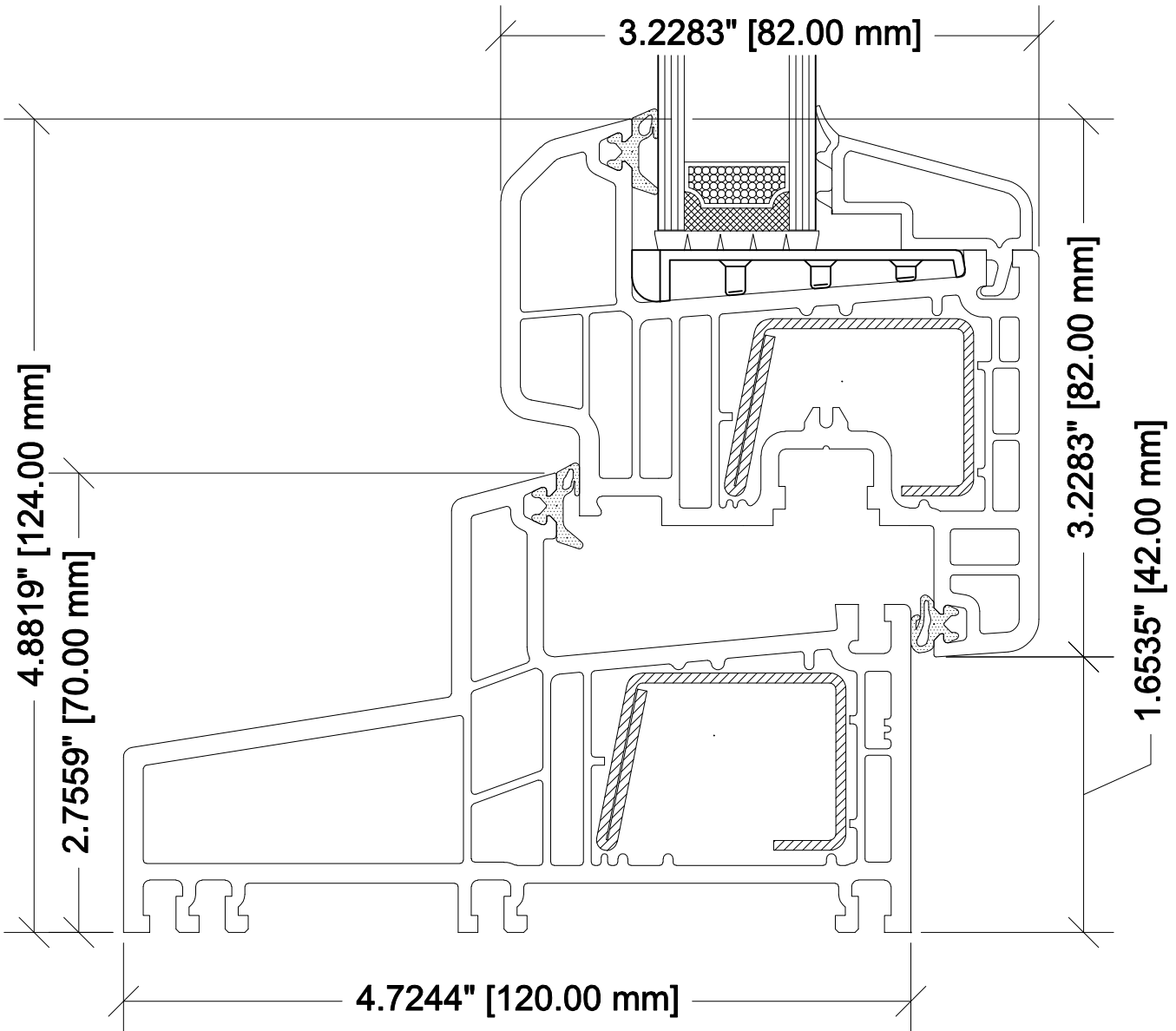
SCALE: FULL

DATE: 10/21/2010

DWG BY: PS

EXTERIOR

INTERIOR



TradeWind DISTRIBUTION



FINESTRA

TW15-T - TRADITIONAL WINDOWS  
SASH 82 / SILL 70

VERTICAL SECTION @ SILL

SCALE: FULL

DATE: 10/21/2010

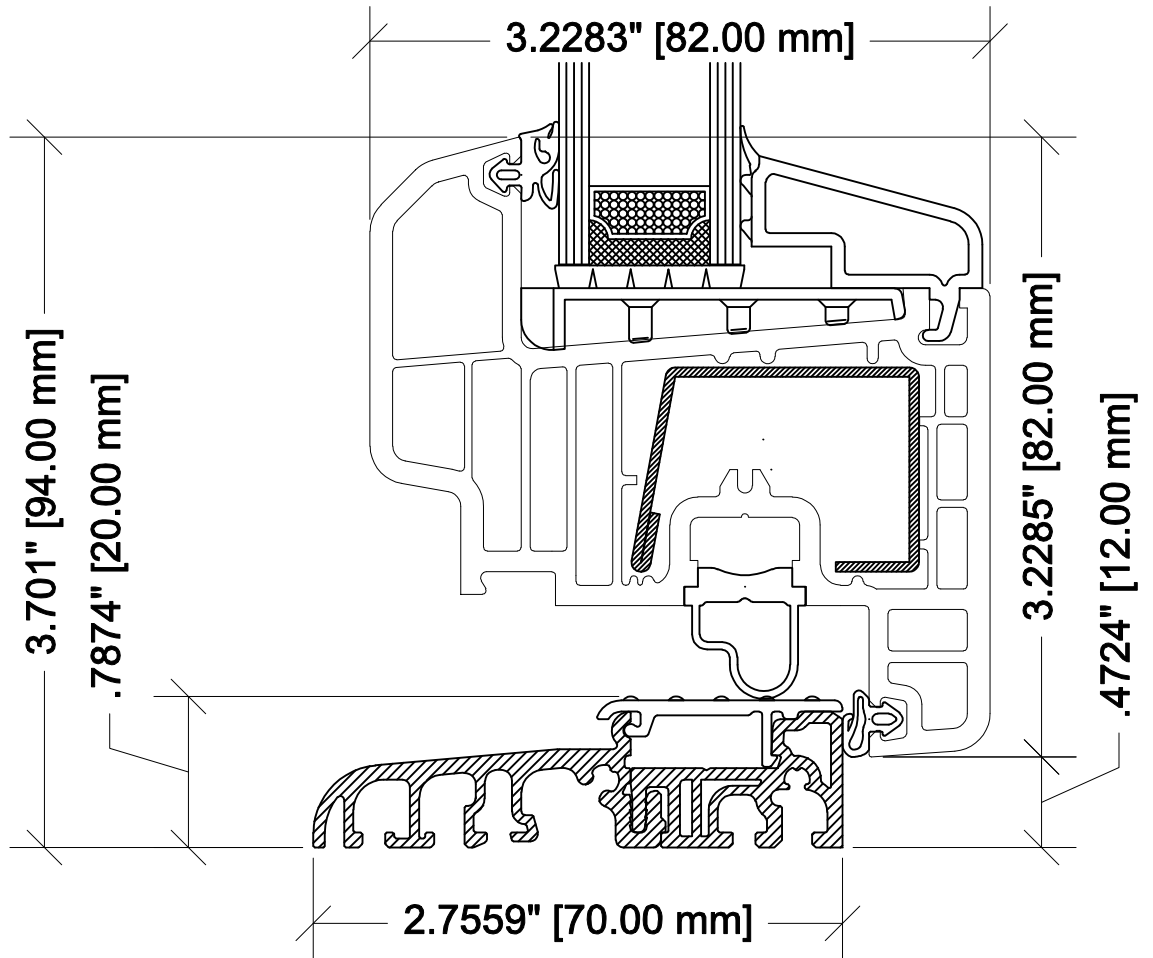
DWG BY: PS

JOB: TW15T

DWG: 11

EXTERIOR

INTERIOR



TradeWind DISTRIBUTION



FINESTRA

TW15-T - TRADITIONAL WINDOWS  
SASH 82 / SILL 20

VERTICAL SECTION @ SILL

SCALE: FULL

DATE: 10/21/2010

DWG BY: PS

JOB: TW15T

DWG: 12